

DESCRIPTION

SUNSTAR单片机专用电路 <http://www.icasic.com/> TEL: 0755-83387030 FAX:0755-83376182 E-MAIL:szss20@163.com

SDL8897 is an LED Controller driven on a 1/7to 1/8 duty factor. Eleven segment output lines, six grid output lines, 1 segment/grid output lines, one display memory, control circuit , key scan circuit are all incorporated into a single chip to build a highly reliable peripheral device for a single chip microcomputer. Serial data is fed to DL8897 via a four-line serial interface. Housed in a 28-pin SO Package, DL8897 pin assignments and application circuit are optimized for easy PCB Layout and cost saving advantages.

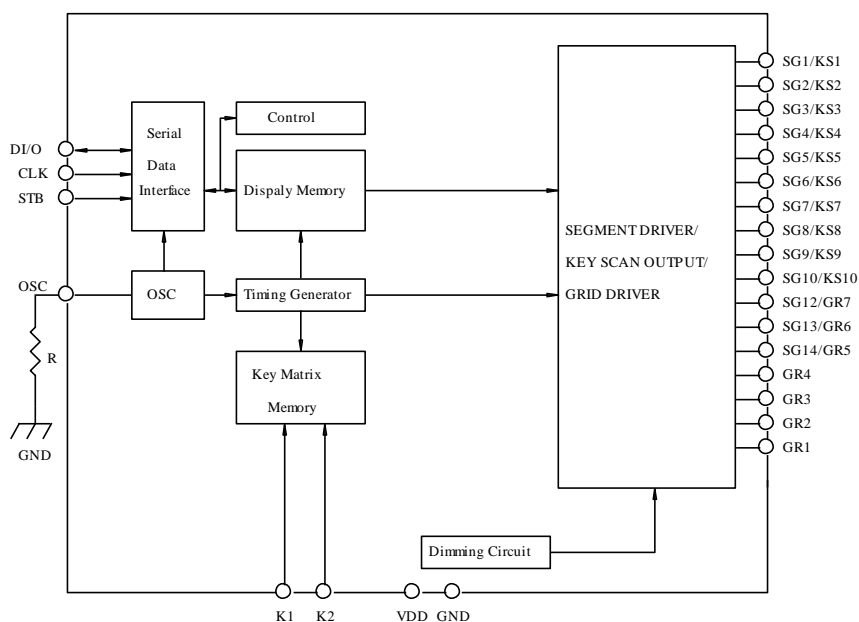
FEATURES

- CMOS Technology
- Low Power Consumption
- Multiple Display Modes
- Key Scanning
- 8-Step Dimming Circuitry
- Serial Interface for Clock, Data Input, Data Output, Strobe Pins
- Available in 28-Pin, SOP Package

APPLICATION

- Micro-computer Peripheral Device
- VCR set
- Combi set

BLOCK DIAGRAM

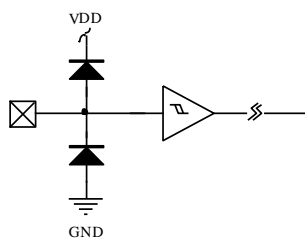


INPUT/OUTPUT CONFIGURATIONS

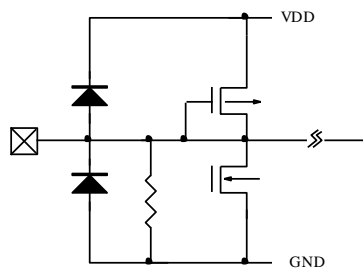
SUNSTAR单片机专用电路 <http://www.icasic.com/> TEL: 0755-83387030 FAX:0755-83376182 E-MAIL:szss20@163.com

The schematic diagrams of the input and output circuits of the logic section are shown below.

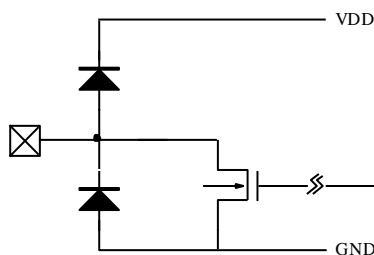
Input Pins: CLK, STB & DIN



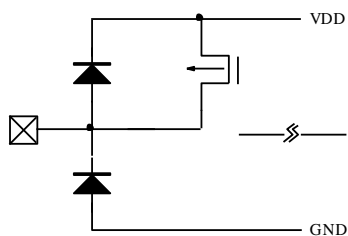
Input Pins: K1 to K2



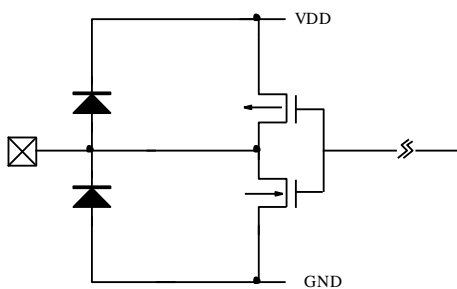
Output Pins: DOUT, GR1 to GR4



Output Pins: SG1 to SG10

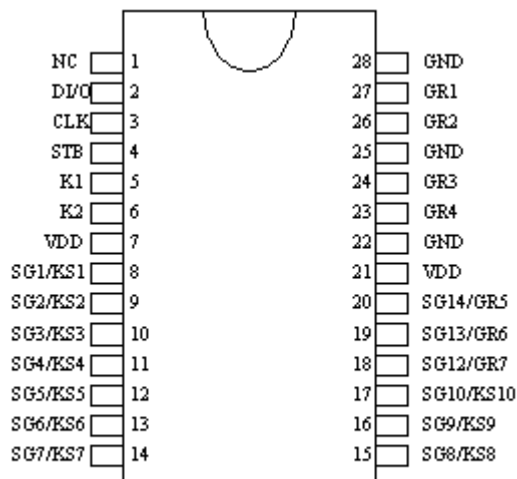


Output Pins: GR5, GR6 and SG12/GR7



PIN CONFIGURATION

SUNSTAR单片机专用电路 <http://www.icasic.com/> TEL: 0755-83387030 FAX:0755-83376182 E-MAIL:szss20@163.com



IC:

PIN DESCRIPTION

Pin Name	I/O	Description	Pin No.
DI/O	I/O	Data Output Pin (N-Channel, Open-Drain) or Data Input pin This pin Outputs/Input serial data at the falling(rising) edge of the shift clock.	2
CLK	I	Clock Input Pin This pin reads serial data at the rising edge and outputs data at the falling edge.	3
STB	I	Serial Interface Strobe Pin The data input after the STB has fallen is processed as a command When this pin is "HIGH", CLK is ignored.	4
K1 to K2	I	Key Data Input Pins. The data sent to these pins are latched at the end of the display cycle. (Internal Pull-Low Resistor)	5,6
GND	-	Ground Pin	22,25,28
SG1/KS1 to SG10/KS10	O	Segment Output Pins (p-channel, open drain) Also acts as the Key Source	8~17
SG12/GR7 to SG14/GR5	O	Segment/Grid Output Pins	18~20
VDD	-	Power Supply	7,21
GR4 to GR1	O	Grid Output Pins	23,24,26,27

FUNCTIONAL DESCRIPTION

COMMANDS

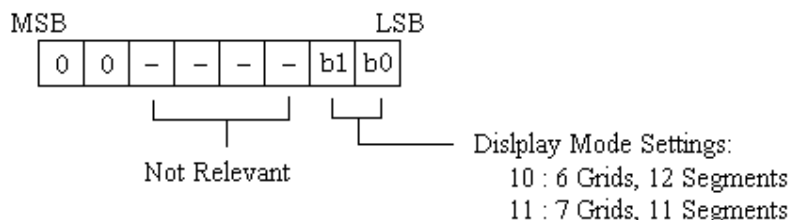
A command is the first byte (b0 to b7) inputted to DL8897 via the DIN Pin after STB pin has changed from HIGH to LOW Stage. If for some reason the STB Pin is set to HIGH while data or commands are being transmitted, the serial communications is initialized, and the data/commands being transmitted are considered invalid.

Command 1: Display Mode Setting Commands

DL8897 provides 2 display mode settings, as shown in the diagram below. As stated earlier a command is the first one byte (b0 to b7) transmitted to DL8897 via the DIN Pin when STB is LOW. However, for these commands, the bit 3 to bit 6 (b2 to b5) are ignored, bit 7 & bit 8 (b6 to b7) are given value of 0.

The Display Mode Setting Commands determine the number of segments and grids to be used (12 to 11 segments, 6 to 7 grids). A display command ON must be executed in order to resume display. If the same mode setting is selected, no command execution is take place, therefore, nothing happens.

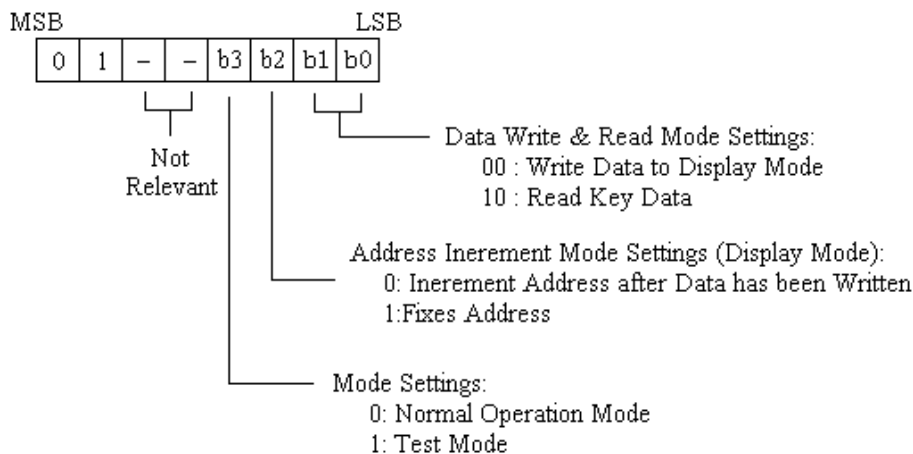
When Power is turned ON, the 7-grid, 11-segment modes is selected.



Command 2: Data Setting Commands

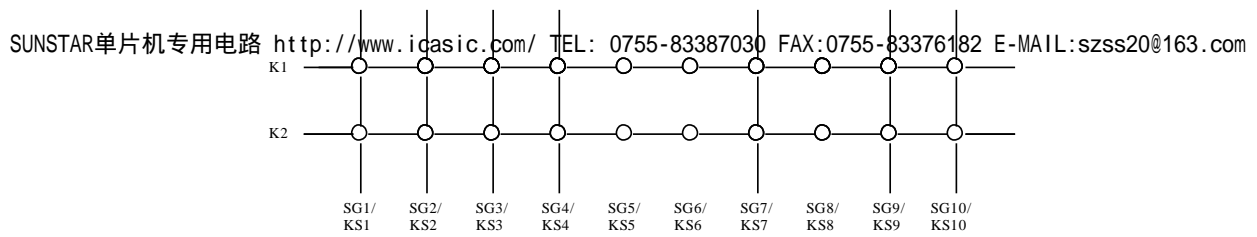
The Data Setting Commands executes the Data Write or Data Read Modes for DL8897. The data Setting Command, the bits 5 and 6 (b4,b5) are ignored, bit 7 (b6) is given the value of 1 while bit 8 (b7) is given the value of 0. Please refer to the diagram below.

When power is turned ON, bit 4 to bit 1 (b3 to b0) are given the value of 0.

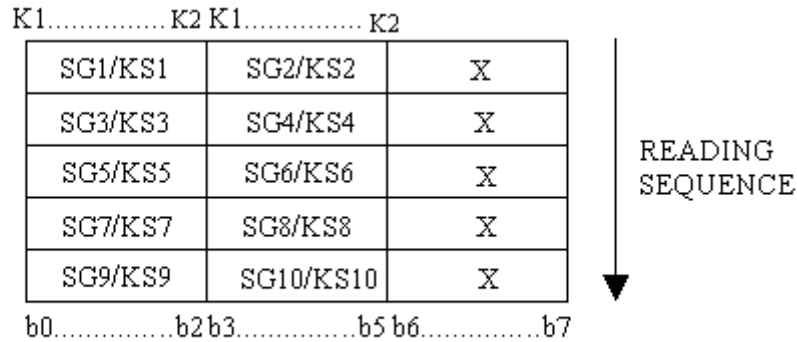


DL8897 KEYMATRIX & KEYINPUT DATA STORAGE RAM

DL8897 Key Matrix consists of 10 x 2 array as shown below:



Each data entered by each key is stored as follows and read by a READ Command, starting from the last significant bit. When the most significant bit of the data (b0) has been read, the least significant bit of the next data (b7) is read.

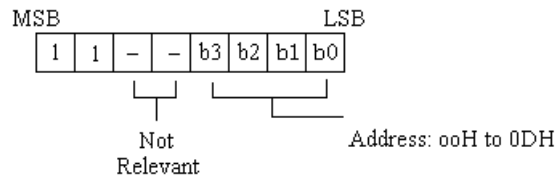


Note: b6 and b7 do not care

Command 3: Address Setting Commands

Address Setting Commands are used to set the address of the display memory. The address is considered valid if it has a value of 00H to 0DH. If the address is set to 0EH or higher, the data is ignored until a valid address is set. When power is turned ON, the address is set at at 00H.

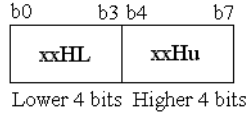
Please refer to the diagram below.



DISPALYMODE AND RAMADDRESS

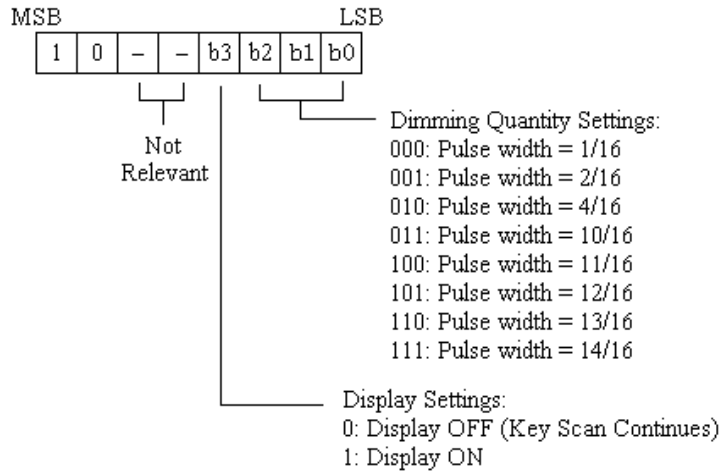
Data transmitted from an external device to DL8897 via the serial interface are stored in the Display RAM and are assigned addresses. The RAM addresses of DL8897 are given below in 8 bits unit.

SG1	SG4 SG5	SG8 SG9	SG12
00HL 02HL	00Hu 02Hu	01HL 03HL	DIG1 DIG2
04HL	04Hu	05HL	DIG3
06HL	06Hu	07HL	DIG4
08HL	08Hu	09HL	DIG5
0AHL	0AHu	0BHL	DIG6
0CHL	0CHu	0DHL	DIG7



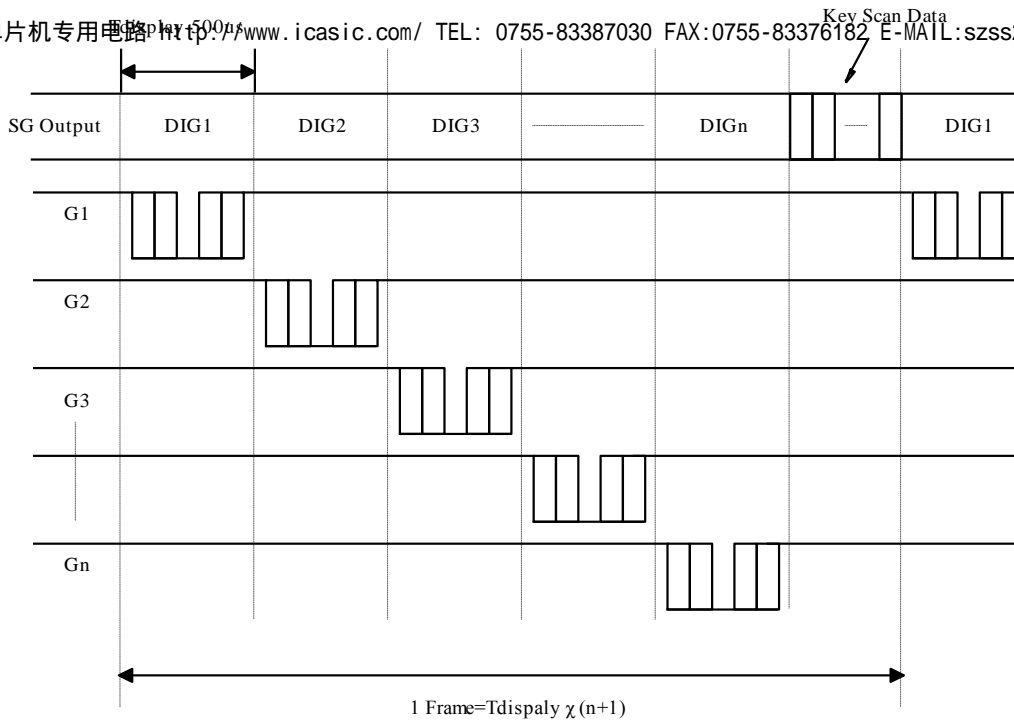
Command 4: Display Control Commands

The Display Control Commands are used to turn ON or OFF a display. It also used to set the pulse width. Please refer to the diagram below. When the power is turned ON, a 1/16 Pulse width is selected and the displayed is turned OFF (the key scanning is started).



SCANNING AND DISPLAY TIMING

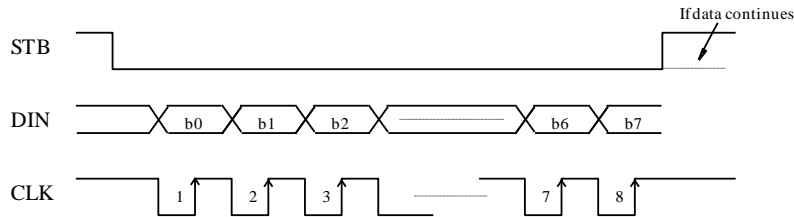
The key Scanning and Display Timing diagram is given below. One cycle of key scanning consists of 2 frames. The data of the are 10 x 3 matrix is stored in the RAM.



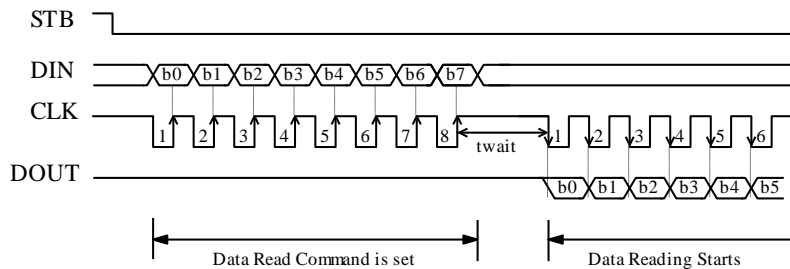
SERIAL COMMUNICATION FROMAT

The following diagram shows the DL8897 serial communication format. The DOUT Pin is an N-channel, opendrain output pin, therefore, it is highly recommended that an external pull-up resistor (1 KOhms to 10 KOhms) must be connected to DOUT.

RECEPTION (Data/Command Write)



TRANSMISSION (Data Read)



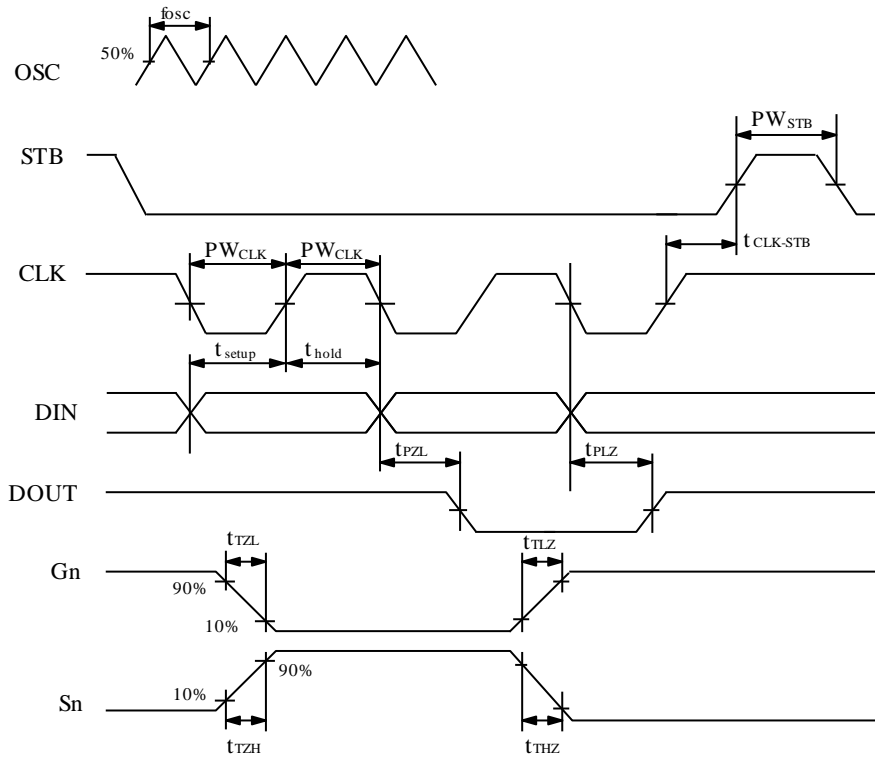
where: t_{wait} (waiting time) $\geq 1\mu s$

It must be noted that when the data is read, the waiting time (t_{wait}) between the rising of the eighth clock that has set the command and the falling of the first clock that has read the data is greater or equal to $1\mu s$.

SWITCHING CHARACTERISTIC WAVEFORM

SUNSTAR单片机专用电路 <http://www.icasic.com/> TEL: 0755-83387030 FAX:0755-83376182 E-MAIL:szss20@163.com

DL8897 Switching Characteristics Waveform is given below.



where: PW_{CLK} (Clock Pulse Width) $\geq 400nS$
 t_{setup} (Data Setup Time) $\geq 100nS$
 $t_{CLK-STB}$ (Clock-Strobe Time) $\geq 1\mu s$
 t_{THZ} (Rise Time) $\leq 1\mu s$
 f_{osc} = Oscillation Frequency
 $t_{TLZ} < 1\mu s$

PW_{STB} (Strobe Pulse Width) $\geq 1\mu s$
 t_{hold} (Data Hold Time) $\geq 100nS$
 t_{THZ} (Fall Time) $\leq 10\mu s$
 t_{PZL} (Propagation Delay Time) $\leq 100nS$
 t_{PLZ} (Propagation Delay Time) $\leq 300uS$
 $t_{TLZ} < 10\mu s$

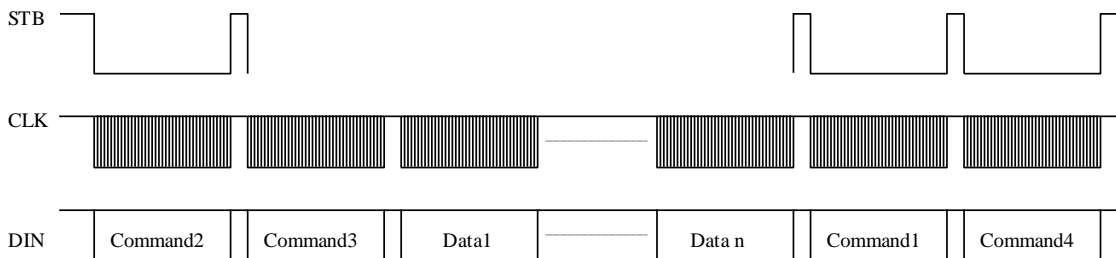
Note: Test condition under

t_{THZ} (Pull low resistor=100k ohms, Loading capacitor =300pf)

t_{TLZ} (Pull high resistor =100k ohms, Loading capacitor=300pf)

APPLICATIONS

Display memory is updated by incrementing addresses. Please refer to the following diagram.



where: Command 1: Display Mode Setting Command

Command 2: Data Setting Command

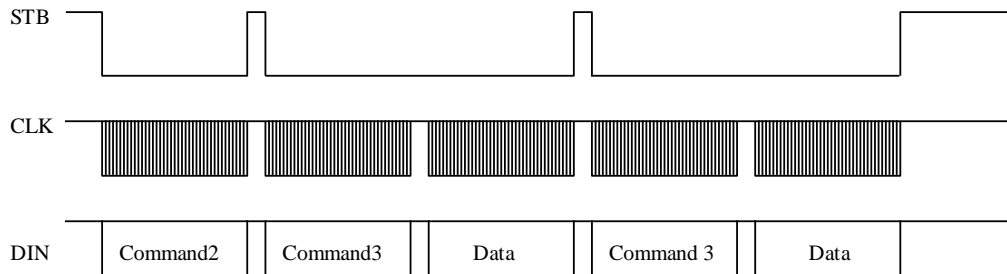
SUNSTAR单片机专用电路 <http://www.icasic.com/> TEL: 0755-83387030 FAX:0755-83376182 E-MAIL:szss20@163.com

Command 3: Address Setting Command

Data 1 to n : Transfer Display Data (14 Bytes max.)

Command 4: Display Control Command

The following diagram shows the waveforms when updating specific addresses.



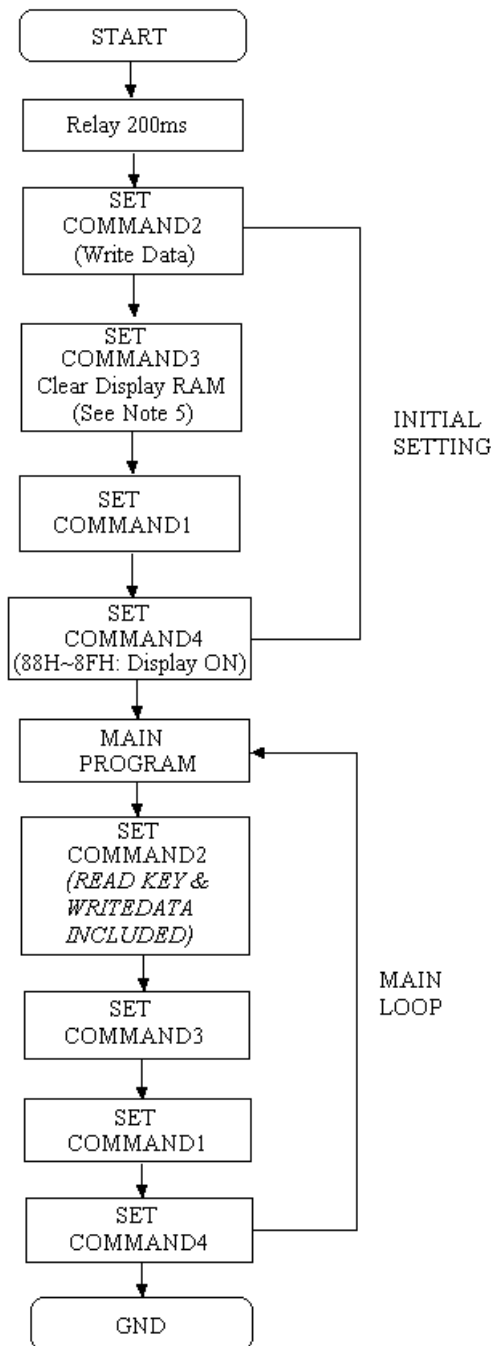
where: Command 2 — Data Setting Command

Command 3 — Address Setting Command

Data — Display Data

RECOMMENDED SOFTWARE PROGRAMMING FLOWCHART

SUNSTAR单片机专用电路 <http://www.icasic.com/> TEL: 0755-83387030 FAX:0755-83376182 E-MAIL:szss20@163.com



Note: 1. Command 1: Display Mode Commands

2. Command 2: Data Setting Commands

3. Command 3: Address Setting Commands

4. Command 4: Display Control Commands

5. When IC power is applied for the first time, the contents of the Display RAM is not defined; thus, it is strongly suggested that the contents of the Display RAM must be cleared during the initial setting.

ABSOLUTE MAXIMUM RATINGS

SUNSTAR单片机专用电路 <http://www.icasic.com/> TEL: 0755-83387030 FAX:0755-83376182 E-MAIL:szss20@163.com

(Unless otherwise stated, $T_a=25^{\circ}\text{C}$, $\text{GND}=0\text{V}$)

Parameter	Symbol	Ratings	Unit
Supply Voltage	V_{DD}	-0.5 to +7	Volts
Logic Input Voltage	V_{I}	-0.5 to $V_{\text{DD}}+0.5$	Volts
Driver Output Current	I_{OLGR}	+250	mA
	I_{OHSG}	-50	mA
Maximum Driver Output Current/Total	I_{TOTAL}	400	mA

RECOMMENDED OPERATING RANGE

(Unless otherwise stated, $T_a=-20$ to $+70^{\circ}\text{C}$, $\text{GND}=0\text{V}$)

Parameter	Symbol	Min.	Typ.	Max.	Unit
Logic Supply Voltage	V_{DD}	4.5	5	5.5	V
Dynamic Current (see Note)	I_{DDdyn}	-	-	10	mA
High-Level Input Voltage	V_{IH}	$0.8V_{\text{DD}}$	-	V_{DD}	V
Low-Level Input Voltage	V_{IL}	0	-	$0.3V_{\text{DD}}$	V

Note: Test Condition: Set Display Control Commands = 80H (Display Turn OFF State & under no load)

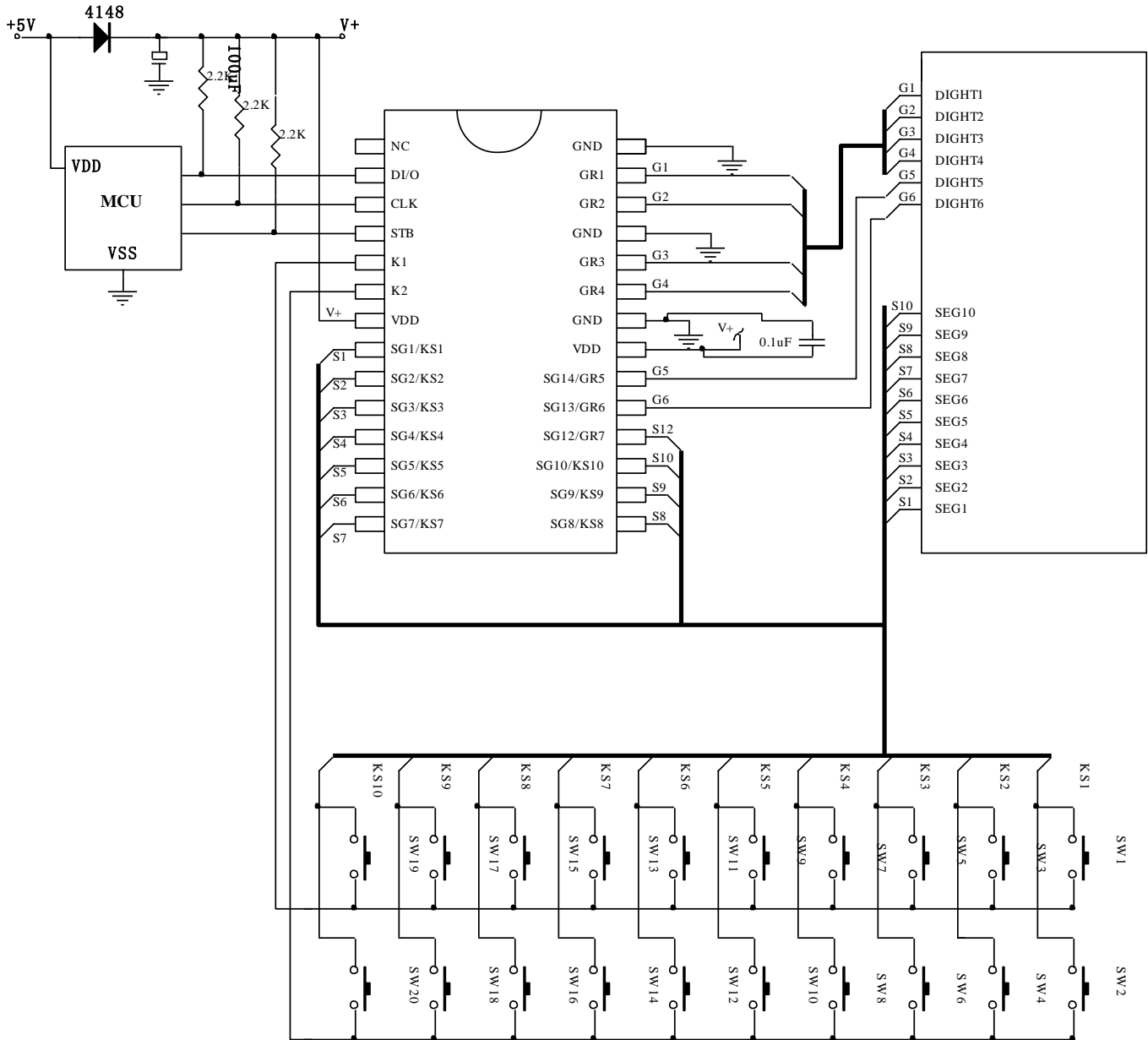
ELECTRICAL CHARACTERISTICS

(Unless otherwise stated, $V_{\text{DD}}=5\text{V}$, $\text{GND}=0\text{V}$, $T_a=25^{\circ}\text{C}$)

Parameter	Symbol	Test Condition	Min.	Typ.	Max.	Unit
High-Level Output Current	IOHSG1	$V_o=V_{\text{DD}}-2\text{V}$ SG1 to SG10, SG12/GR7	-20	-25	-40	mA
	IOHSG2	$V_o=V_{\text{DD}}-3\text{V}$ SG1 to SG12, SG12/GR7	-25	-30	-50	mA
Low-Level Output Current	IOLGR	$V_o=0.3\text{V}$ GR1 to GR6, SG12/GR7	100	140	-	mA
Low-Level Output Current	IOLDOUT	$V_o=0.4\text{V}$	4	-	-	mA
Segment High-Level Output Current Tolerance	ITOLSG	$V_o=V_{\text{DD}}-3\text{V}$ SG1 to SG10, SG12/GR7	-	-	± 5	mA
High-Level Input Voltage	VIH	-	$0.8V_{\text{DD}}$	-	5	V
Low-Level Input Voltage	VIL	-	0	-	$0.3V_{\text{DD}}$	V
Oscillation Frequency	fosc	R=33 KOhms	350	500	650	KHz
K1 to K2 Pull Down Resistor	RKN	K1 to K2 $V_{\text{DD}}=5\text{V}$	40	-	100	KOhms

APPLICATION CIRCUIT

SUNSTAR单片机专用电路 <http://www.icasic.com/> TEL: 0755-83387030 FAX:0755-83376182 E-MAIL:szss20@163.com

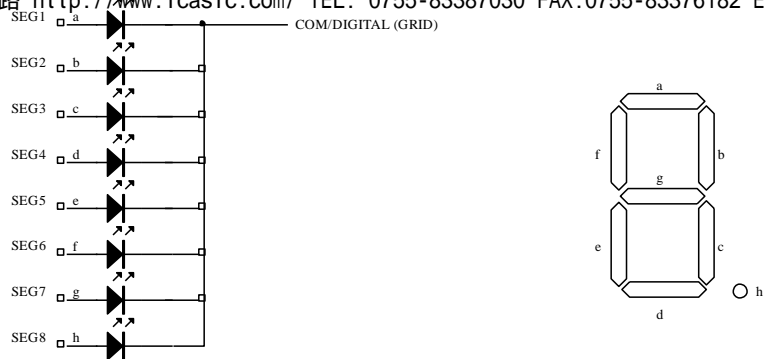


Note: 1、推荐使用时， I^2C 总线端口外置上接电阻在 2.2K 为宜；

2、为降低系统信号的串扰，建议产品之 MCU 与 DL8897 供电之正极串接 4148 二极管隔离。

COMMON CATHODE TYPE LED PANEL:

SUNSTAR单片机专用电路 <http://www.icasic.com/> TEL: 0755-83387030 FAX:0755-83376182 E-MAIL:szss20@163.com



Note: 1、 The capacitor (0.1uF) connected between the GND and the VDD pins must be located as close as possible to the DL8897 chip.

2、 The DL8897 power supply is separate from the application system power supply.