

OAT1231T-S-05**Preliminary**

MT-RJ Transceiver at 1.25 Gbit/s

GENERAL DESCRIPTION

The OAT1231T-S-05 transceiver is a long wavelength optical transceiver intended for up to 1.25 Gbit/s applications as Gigabit Ethernet. The transceiver is operated from single 3.3 V DC power supply and with LVPECL logic interface. Package style is the multisourced 2 × 5 pins small form factor with integral MT-RJ connector interface. The Transceiver is provide double port densities from traditional SC 1 × 9 transceiver. The laser output is certified to be Class 1 laser safe as defined by IEC 60825-1.

FEATURES

- Multisourced 2 × 5 pins small form factor package
- MT-RJ connector interface
- Compliant with IEEE 802.3 z/Gigabit Ethernet
- Up to 5 km with 9/125 μm SMF
- Single 3.3 V power supply
- LVPECL logic compatible data interface
- 1300 nm fabry perot laser with automatic power control
- Class 1 Laser eye safe
- 0°C to 70°C operating temperature range
- Transmitter disable input
- TTL signal detect output

ABSOLUTE MAXIMUM RATINGS

Parameter	Symbol	Min	Max	Unit
Storage Temperature	T_S	-40	85	°C
Operating Temperature	T_A	0	70	°C
Lead Soldering Temperature	—	—	260/10	°C/s
Supply Voltage	V_{CC}	—	5	V
Input Voltage	V_I	0	$V_{CC} + 0.5$	V

TRANSCEIVER OPTICAL AND ELECTRICAL CHARACTERISTICS**($T_C = 0^\circ\text{C}$ to 70°C , $V_{CC} = 3.135\text{ V}$ to 3.465 V)**

Parameter	Notes	Symbol	Min.	Typ.	Max.	Unit
Supply Current		I _{CC}		200	250	mA

Transmitter Section

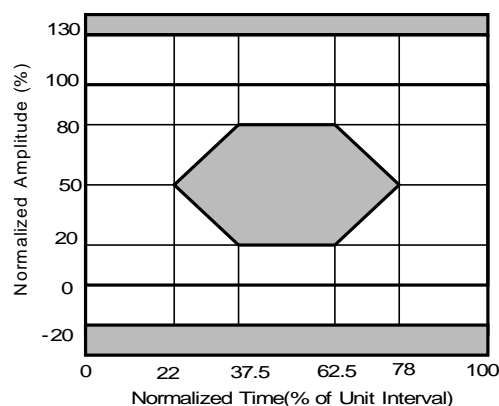
Parameter	Notes	Symbol	Min.	Typ.	Max.	Unit
Average Optical Output Power		P _O	-11.0		-3	dBm
Optical Wavelength		λ_C	1270	1310	1355	nm
RMS Spectral Width		$\Delta\lambda$			4	nm
Extinction Ratio		ER	9			dB
Relative Intensity Noise		RIN			-120	dB/Hz
Optical Wave Form	1		Compliant with IEEE 802.3z eye mask			
Differential Input Voltage		V _{IN}	0.4		1.0	V
Data Input Voltage Levels	2	V _{IL}	V _{CC} - 1.810		V _{CC} - 1.475	V
		V _{IH}	V _{CC} - 1.165		V _{CC} - 0.880	V
Transmit Disable Voltage	Disable	3	V _{ID}	2.0		V
	Enable	3	V _{IE}		0.8	V
Input Impedance	5	R _{IN}	95	100	105	Ω
Optical Connector repeatability				0.3		dB

Receiver Section

Parameter	Notes	Symbol	Min	Typ.	Max	Unit
Optical Input Sensitivity	4	P _{IN}			-19	dBm
Maximum Optical Input	4	P _{MAX}	-3			dBm
Optical Wavelength		λ_C	1270		1355	nm
Return Loss			12	35		dB
Output Voltage Levels	2	V _{OL}	V _{CC} - 1.810		V _{CC} - 1.620	V
		V _{OH}	V _{CC} - 1.025		V _{CC} - 0.880	V
Signal Detect Output Voltage	High	3	V _{OA}	2.4		V
	Low	3	V _{OD}		0.4	V
Assert Level		P _A			-19	dBm
Deassert Level		P _D	-30			dBm
Hysteresis		P _{HYS}	0.5		4	dB

Notes:

1. Transmitter optical waveform characteristics are specified by an eye diagram shown in Figure 1. The eye mask test is performed using a receiver with a fourth-order Bessel Thompson filter discussed in IEEE 802.3z
2. LVPECL compatible interface.
3. TTL compatible interface.
4. BER of 1×10^{-12} measured with 1.25 Gbit/s 2^7-1 PRBS.
5. Measured between TD+ and TD-.

**Figure 1. Transmitter Eye Diagram**

APPLICATION INFORMATION

Electrical interface

Figure3 shows the recommended interface and power supply filtering circuit for operating the transceiver. TD+ and TD- inputs are internally terminated with differential 100Ω. The input signal that was terminated in the Serializer side are connected to TD+/TD- through the AC coupling capacitors. When the Serializer is LVPECL output then AC coupling capacitors are not required. RD+ and RD- outputs are LVPECL interface and not internally terminated. RD+ and RD- should be coupled to ground through 180Ω and connected to Deserializer through AC coupling capacitor. When the Deserializer inputs are LVPECL then AC coupling capacitors are not required.

Signal Detect

The Signal Detect (SD) output is positive TTL logic. This output provides a logical low output signal when the optical signal into the receiver has been interrupted or the light level has fallen below the minimum signal-detect threshold. This signal is used to get a state of receiving DATA logically, not a BET monitor.

Transmitter Disable

The Transmitter Disable (Tdis) input is a laser enable function. When Tdis is TTL logical low input or opened transmitter is normally operating. When Tdis is TTL logical high input transmitter optical output is shut down.

Laser Eye Safety

The OAT1231T-S-05 is laser-based transceivers, and is Class 1 laser products. It complies with IEC 60825-1 and FDA 21 CFR 1040.10 and 1040.11. This is also eye safe when used within the data sheet limits. When optical connector unterminated, do not look into optical port with a magnifying glass and so on.

Caution:

Use of controls, adjustments, and procedures other than those specified herein may result in hazardous laser radiation exposure. If this product is used with unauthorized revision, classification for laser product safety standard is invalid. The person performing such an act must classify the product at your responsibility and take appropriate actions according to the law.

PIN DESCRIPTION

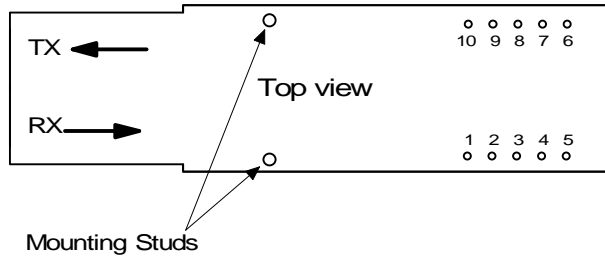
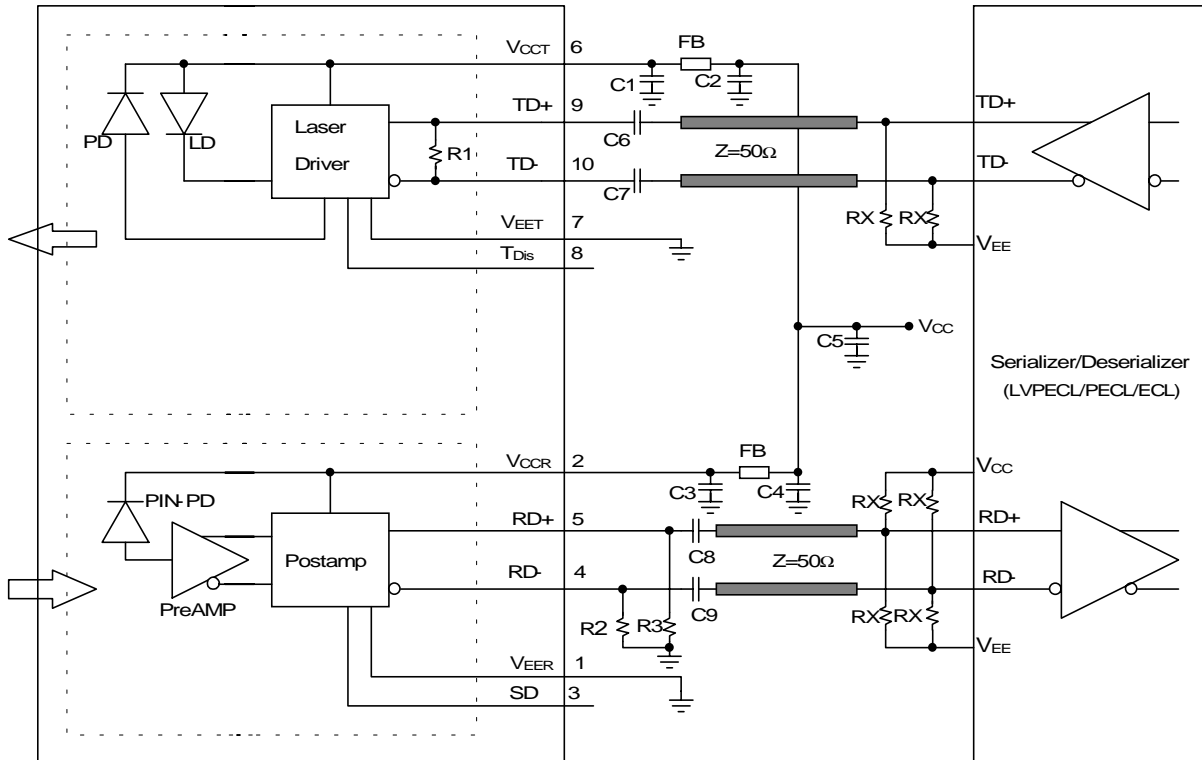


Figure 2. Pin Description

Pin	Symbol	Description
Two Mounting Studs		Two mounting studs are provided for transceiver mechanical attachment to the circuit board. They may also provide an optical connection of the transceiver to the equipment chassis ground.
Four Grounding Tabs		Four grounding tabs are provided for improvement of EMI suppression. They should be connected to signal ground.
1	V_{EER}	Receiver Signal Ground.
2	V_{CCR}	Receiver Power Supply.
3	SD	Signal Detect. Normal Operation: Logic "1" Output. Fault Condition: Logic "0" Output.
4	RD-	Received Data Out Bar. No internal terminations are provided.
5	RD+	Received Data Out. No internal terminations are provided.
6	V_{CCT}	Transmitter Power Supply.
7	V_{EET}	Transmitter Signal Ground.
8	T_{DIS}	Transmitter Disable. Normal Operation: Logic "0" Input or Open Transmit Disable: Logic "1" Input or Connect V_{CC}
9	TD+	Transmitter Data In. An internal 50 Ω termination is provided, consisting of a Thevenin termination.
10	TD-	Transmitter Data In Bar. An internal 50 Ω termination is provided, consisting of a Thevenin termination.

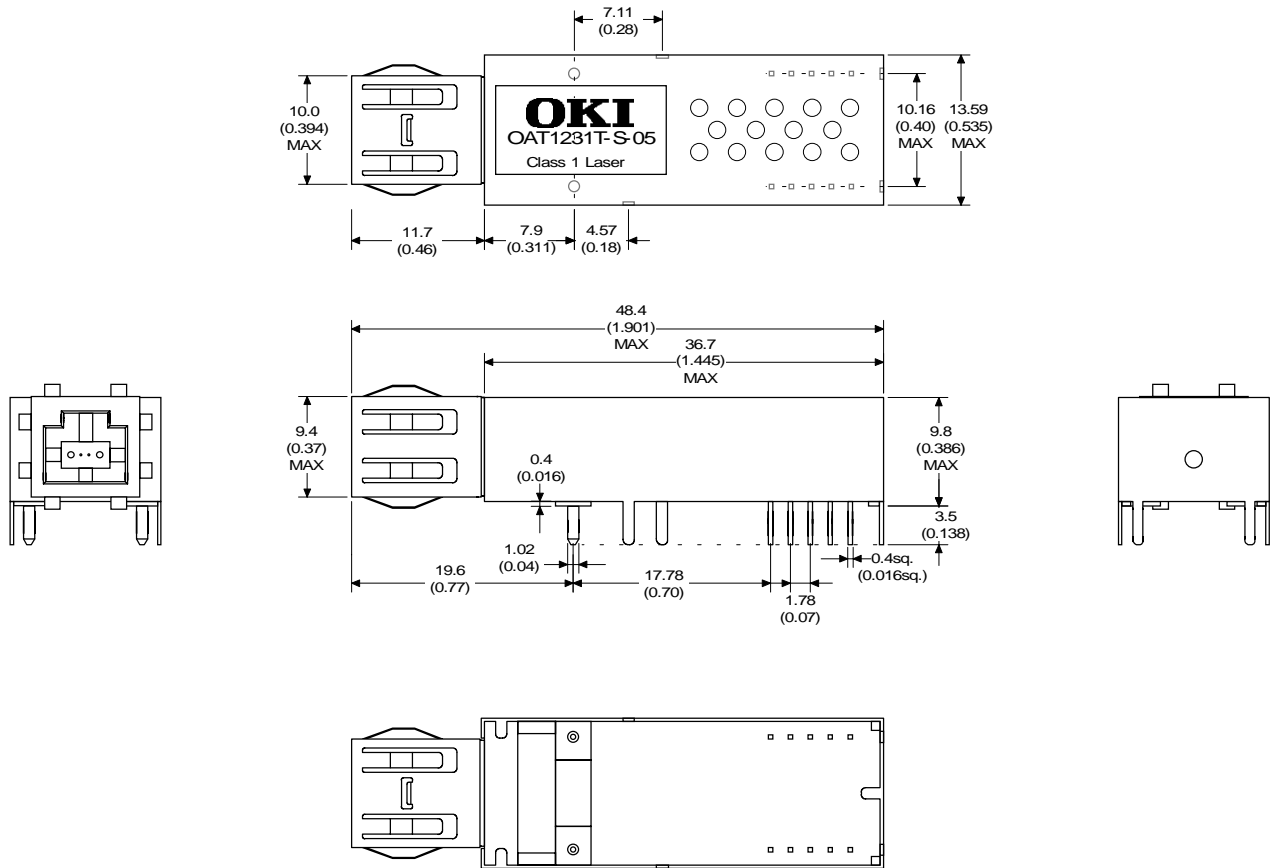
ELECTRICAL INTERFACE CIRCUITS



- Notes:
- C1 = C2 = C3 = C4 = 0.1 μF C5 = 10 μF
 - C6 = C7 = C8 = C9 = 0.01 μF
 - R1 = 100 Ω
 - R2 = R3 = 180 Ω
 - FB = Ferrite bead (BLM11HA601SG)
 - RX = Depend on SELDES interface.

Figure 3. Recommended Interface Circuit

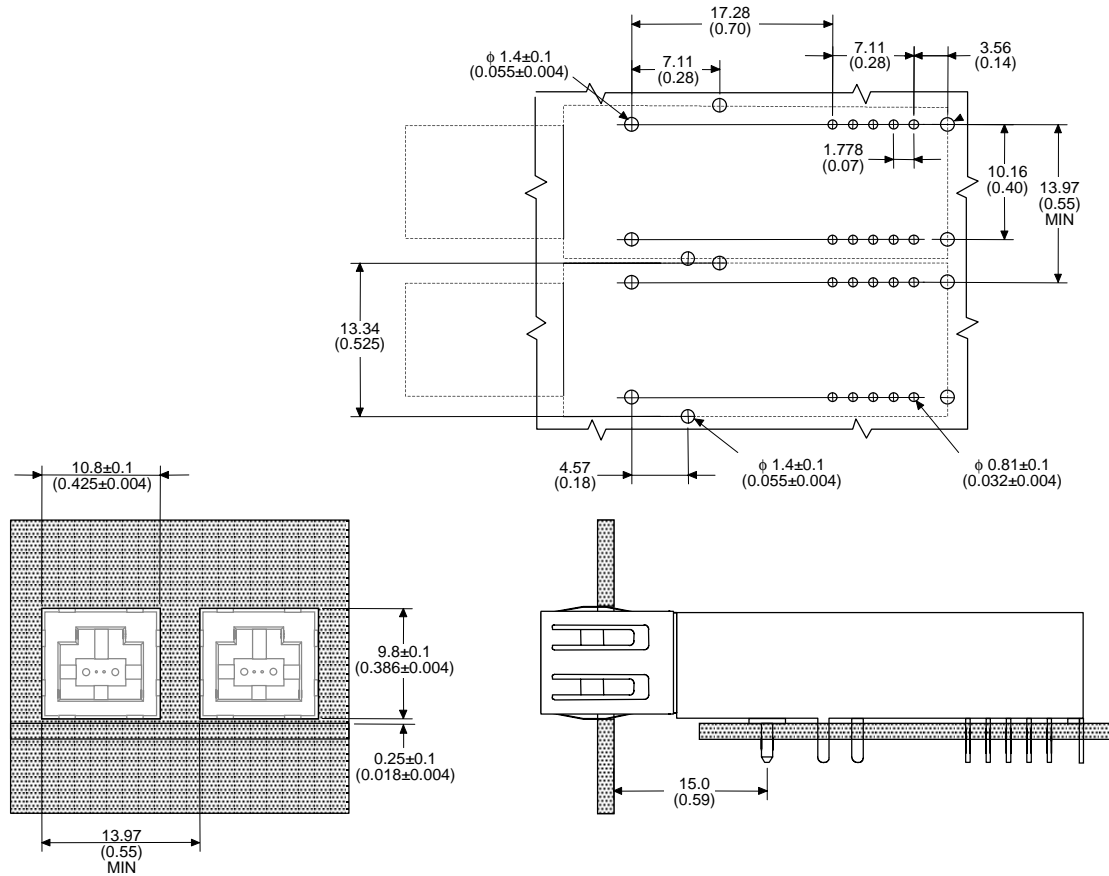
PACKAGE OUTLINE



Dimensions are millimeters (inches)

Figure 4. Package Outline

CIRCUIT BOARD LAYOUT AND PANEL OPENING



Dimensions are millimeters (inches)

Figure 5. Recommended Circuit Board Layout and Panel Opening

NOTICE

1. The information contained herein can change without notice owing to product and/or technical improvements. Before using the product, please make sure that the information being referred to is up-to-date.
2. The outline of action and examples for application circuits described herein have been chosen as an explanation for the standard action and performance of the product. When planning to use the product, please ensure that the external conditions are reflected in the actual circuit, assembly, and program designs.
3. When designing your product, please use our product below the specified maximum ratings and within the specified operating ranges including, but not limited to, operating voltage, power dissipation, and operating temperature.
4. Oki assumes no responsibility or liability whatsoever for any failure or unusual or unexpected operation resulting from misuse, neglect, improper installation, repair, alteration or accident, improper handling, or unusual physical or electrical stress including, but not limited to, exposure to parameters beyond the specified maximum ratings or operation outside the specified operating range.
5. Neither indemnity against nor license of a third party's industrial and intellectual property right, etc. is granted by us in connection with the use of the product and/or the information and drawings contained herein. No responsibility is assumed by us for any infringement of a third party's right which may result from the use thereof.
6. The products listed in this document are intended for use in general electronics equipment for commercial applications (e.g., office automation, communication equipment, measurement equipment, consumer electronics, etc.). These products are not authorized for use in any system or application that requires special or enhanced quality and reliability characteristics nor in any system or application where the failure of such system or application may result in the loss or damage of property, or death or injury to humans. Such applications include, but are not limited to, traffic and automotive equipment, safety devices, aerospace equipment, nuclear power control, medical equipment, and life-support systems.
7. Certain products in this document may need government approval before they can be exported to particular countries. The purchaser assumes the responsibility of determining the legality of export of these products and will take appropriate and necessary steps at their own expense for these.
8. No part of the contents contained herein may be reprinted or reproduced without our prior permission.

Copyright 2000 Oki Electric Industry Co., Ltd.