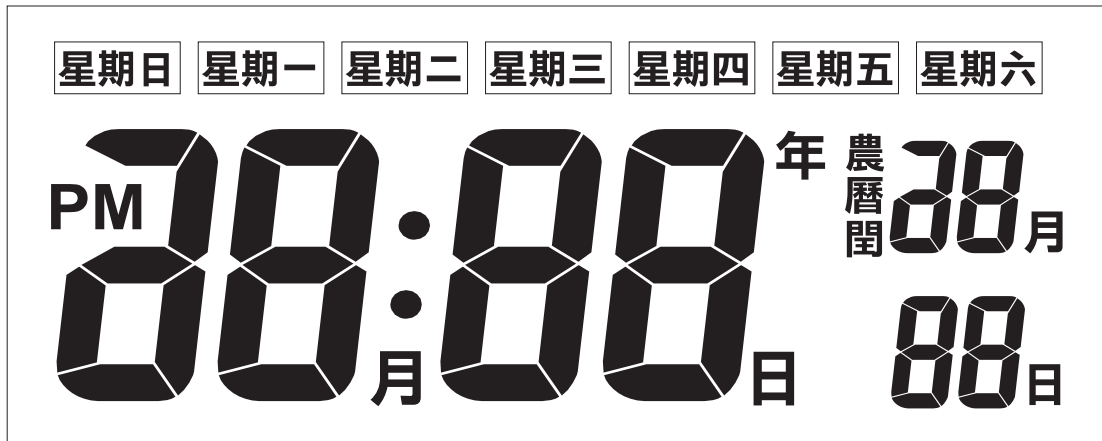


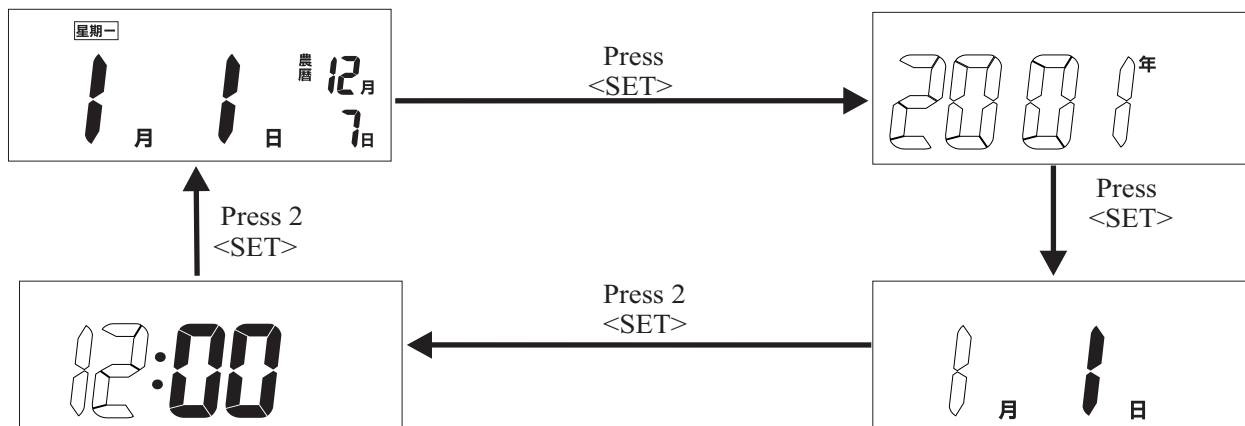
LUNAR CALENDAR



A) FEATURES

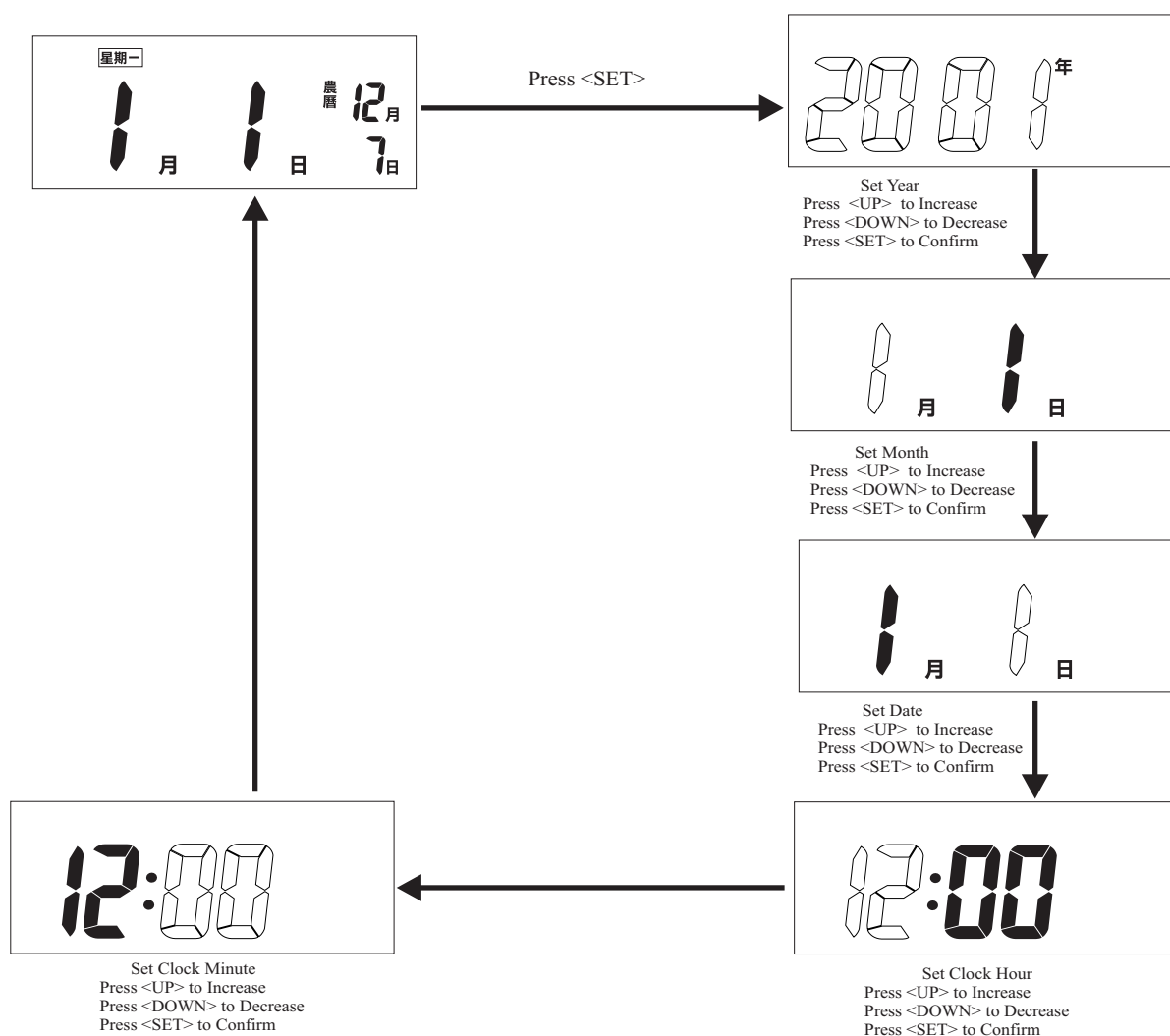
- 1) 1.5V Operate
- 2) Low Power Consumption
- 3) 4-digit LCD Calendar with Lunar
Options for 12 or 24 Hour Format
- 4) Date Display (Month / Date / Day)
- 5) Year Range is 1940-2039 (Default is 2001yr)
Auto Adjust Day & Lunar Calendar

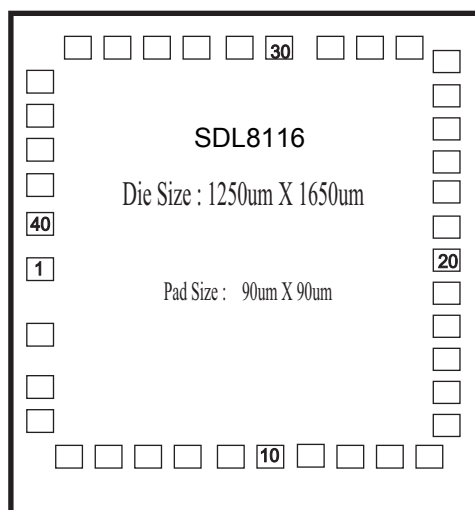
B) OPERATION MODES SDL8116 Operation



C) SETTING PROCEDURES

1) Set Clock and Date

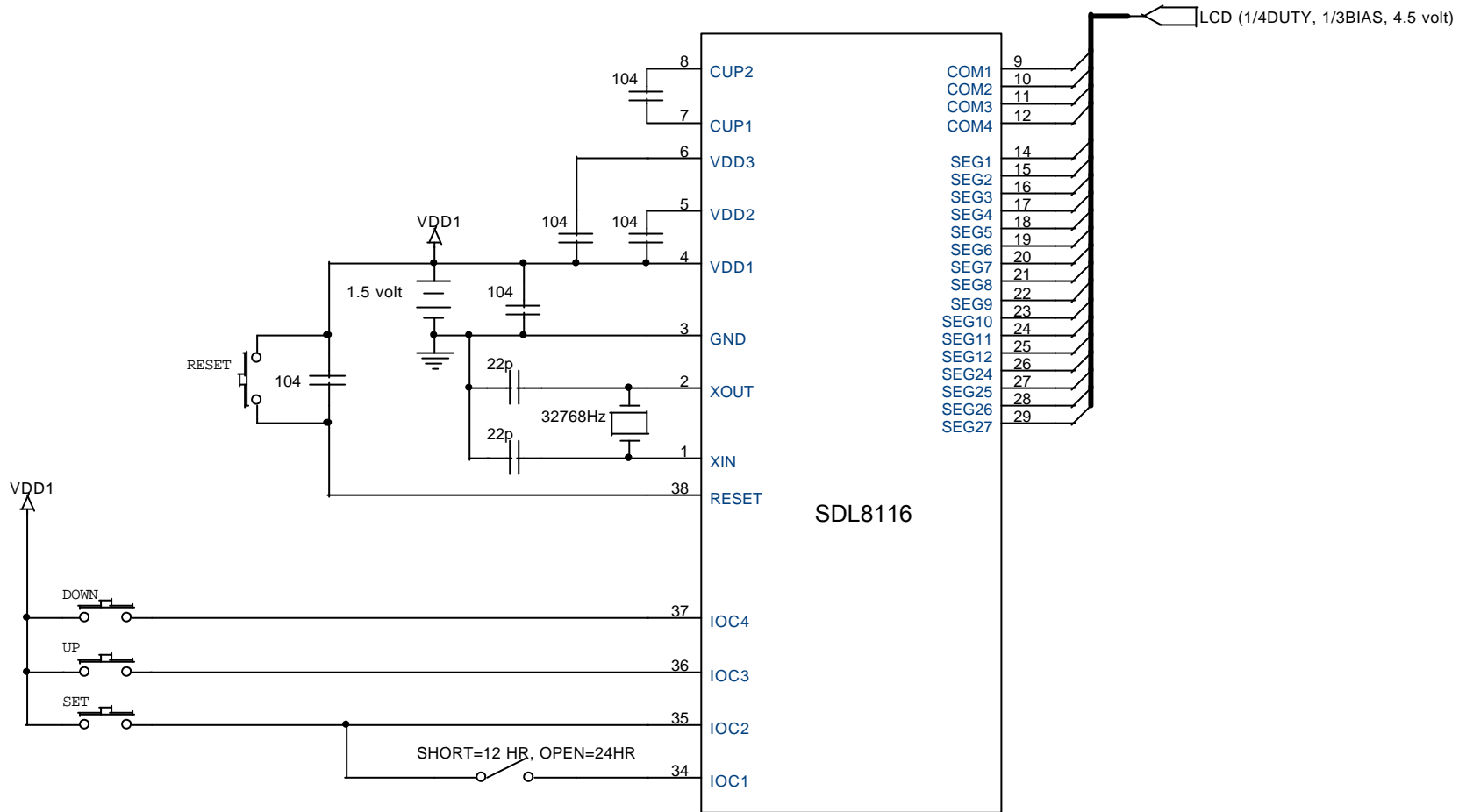




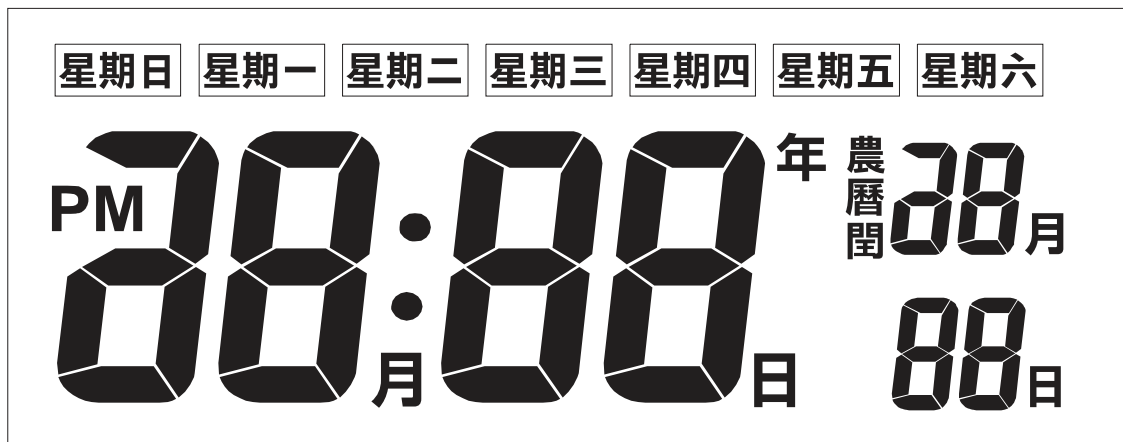
SUBSTRATE SHOULD BE CONNECTED TO GND

PIN ASSIGNMENT

NO	NAME	X	Y	NO	NAME	X	Y
1	XIN	72.50	712.85	21	SEG8	1176.85	919.50
2	XOUT	72.50	451.35	22	SEG9	1176.85	1041.50
3	GND	75.00	314.05	23	SEG10	1176.85	1163.50
4	VDD1	75.00	199.05	24	SEG11	1176.85	1285.50
5	VDD2	94.95	72.50	25	SEG12	1176.85	1407.50
6	VDD3	209.95	72.50	26	SEG24	1176.85	1534.20
7	CUP1	324.95	72.50	27	SEG25	1056.10	1571.30
8	CUP2	439.95	72.50	28	SEG26	936.10	1571.30
9	COM1	554.95	72.50	29	SEG27	816.10	1571.30
10	COM2	669.95	72.50	30	N.C.	696.10	1571.30
11	COM3	784.95	72.50	31	N.C.	576.10	1571.30
12	COM4	899.95	72.50	32	N.C.	456.10	1571.30
13	N.C.	1014.95	72.50	33	N.C.	336.10	1571.30
14	SEG1	1129.95	72.50	34	IOC1	216.10	1571.30
15	SEG2	1176.85	187.50	35	IOC2	96.10	1571.30
16	SEG3	1176.85	309.50	36	IOC3	72.50	1440.65
17	SEG4	1176.85	431.50	37	IOC4	72.50	1325.65
18	SEG5	1176.85	553.50	38	RESET	72.50	1188.65
19	SEG6	1176.85	675.50	39	N.C.	72.50	1029.85
20	SEG7	1176.85	797.50	40	TEST	72.50	871.65



Title		
SDL8116		
Size	Document Number	Rev
A	<Doc>	1.0
Date:	Sheet	1 of 1



Vlcd 4.5v 1/4 Duty 1/3 Bias

