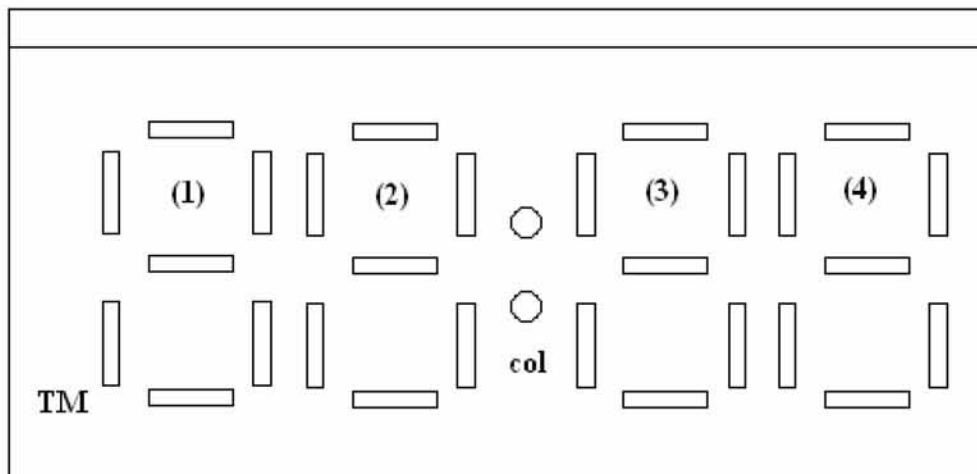


4 Digit Time With Colon Default Timer

1. Features

- 4 digit LCD display with two dots.
- Default Timer for Minute / Second LCD display.
- 1 keys operation.
- 5 bonding option to select 32 default timer value.
- Very low power consumption.
- 32768 Crystal oscillator.
- Single 1.5V operation.
- Direct drive 1/2 bias 1/3 duty LCD(Vop 3.0V).
- Alarm sound: The alarm sound continues for 60 seconds. It generates (4KHz x 4Hz x 1Hz) sound signal at first 60 seconds. The alarm sound will be stopped by pressing any key.
- Key tone : It will generate a sound signal (tone) when start/stop key is pressed.
- Power on : All LCD segments and the alarm sound are turned on for two second.

LCD Drawing



Operation Flow

- (a) After the power on, it return to display shows “Default timer value”, “colon” and “TM” always on (not flash).
- (b) Countdown Timer: This timer fixed timing count down. The step is one second. Press “Start/Stop” key to start counting. The “TM” and “colon” are always on. The alarm sound generates when the timer reached zero, press “Start/Stop” key to stop counting even the timer in counting or reached zero, press the key again then return to continues counting.
- (c) Press “Start/Stop” and hold it for 2 second, the timer will reload “Default timer value” and stand-by for start counting.
- (d) Keys: Only “ST/SP” key for start, stop and repeat.

Pin Assignment

SUNSTAR单片机专用电路 <http://www.icasic.com/> TEL: 0755-83387030 FAX:0755-83376182 E-MAIL:szss20@163.com

DESIGNATION	TYPE	DESCRIPTION
B0, B1	OUTPUT	Buzzer output
V1, V2	OUTPUT	Doubler output
VEE	OUTPUT	-1.5V
T1, T2	INPUT	TEST pin
OO	OUTPUT	32KHz oscillator output
OI	INPUT	32KHz oscillator input
VDD	POWER	+1.5V power supply
GND	POWER	Ground
I0, I1, I2, I3, I4 and I5	INPUT(PL)	Input key
C[1:3]	OUTPUT	LCD Common output
S[1:10]	OUTPUT	LCD Segment output
PB	INPUT(PH)	RESET
O0, O1, O2 and O3	OUTPUT	Output Pin

Note: (PH) - pull high , (PL) – pull low.

Absolute Maximum Ratings

Supply voltage Vdd - Vss.....0 to 5V
Input voltage Vin.....Vss to Vdd
Operating temperature Top-10°C to 60°C
Storing temperature Tst-40°C to 70°C

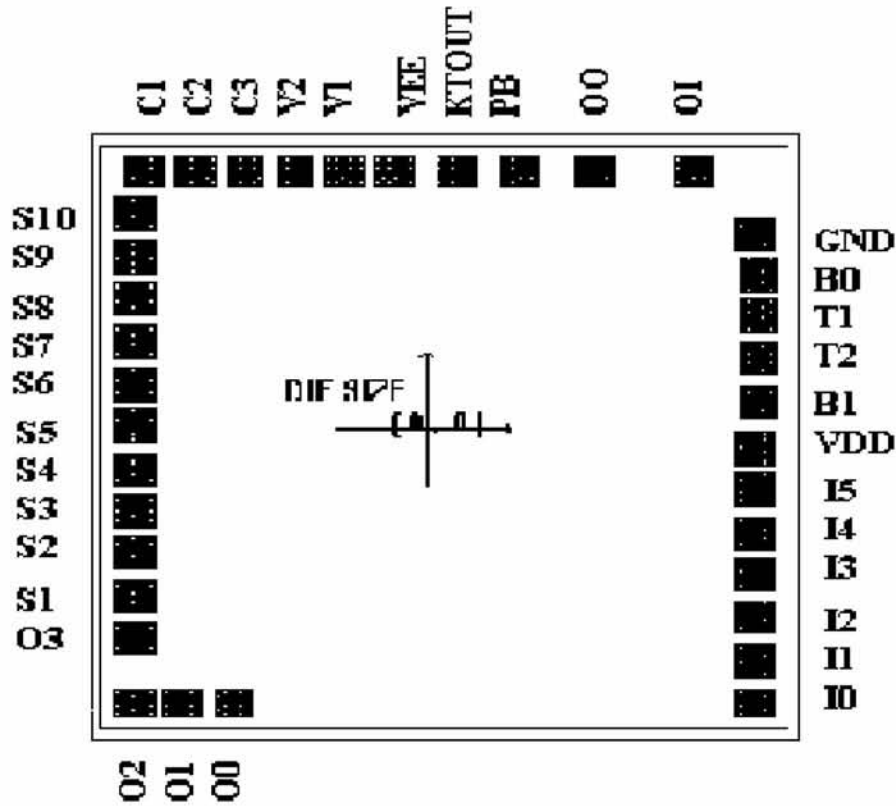
Comments

Stress above those listed under Absolute Maximum Ratings may cause permanent damage to the device. These are stress rating only. Functional operation of this device at these or any other conditions above those indicated in the operational sections of this specification is not implied and exposure to absolute maximum rating conditions for extended periods may affect device reliability.

D.C. Electrical Characteristics

(GND = 0V, Vdd = 1.5V, Ta = 25°C unless otherwise specified)

Parameter	Symbol	Min.	Typ.	Max.	Unit	Conditions
Supply Voltage	Vdd	1.25	1.5	1.7	V	
Operating current	Idd	-	2	4	μA	No load
OSC. built-in cap	Cd	-	20	-	pF	
OSC. trimmer cap	Ctrim	5	-	35	pF	
Buzzer output current	IOH	6	-	-	MA	Vbd=0.0
Buzzer output current	IOL	6	-	-	MA	Vbd=1.5
LCD frequency	Flcd	-	64	-	Hz	
Segment current	Ilcd	0.15	-	-	μA	Vseg=0.2V
Common current	Icom	3.0	-	-	μA	Vcom=0.2V



Chip Size:2510um×2100um

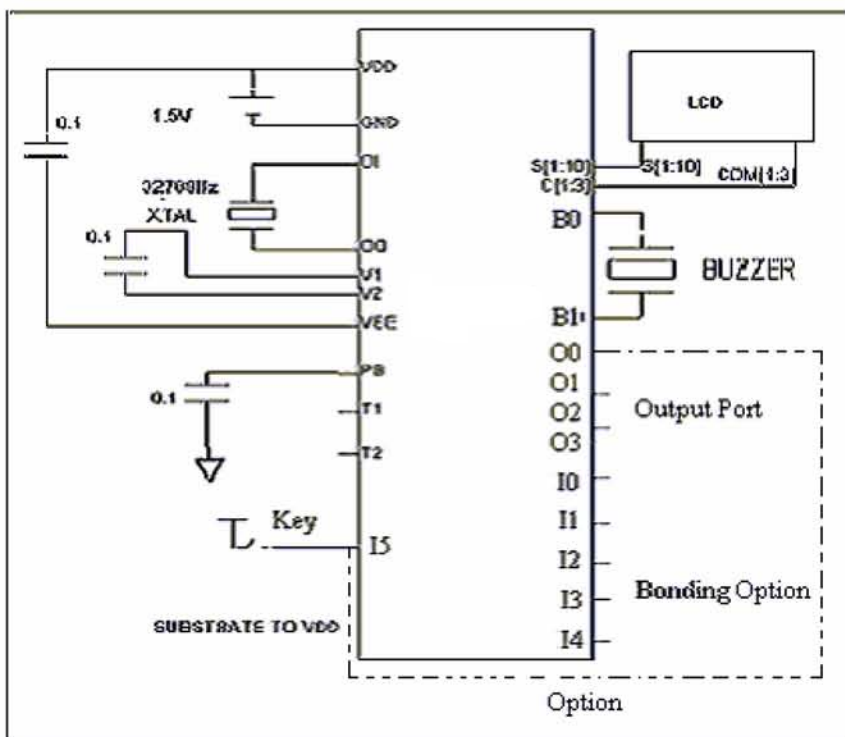
I.C. Substrate is connected to VDD.

Pad Coordinate

SUNSTAR单片机专用电路 <http://www.icasic.com/> TEL: 0755-83387030 FAX:0755-83376182 E-MAIL:szss20@163.com

PAD	X(μm)	Y(μm)	PAD	X(μm)	Y(μm)
O2	-1063.00	-909.50	VEE	-358.00	909.50
O1	-922.75	-909.50	KOUT	-123.50	909.50
O0	-731.25	-909.50	PB	20.25	909.50
O3	-1063.00	-703.50	OO	321.75	909.50
S1	-1063.00	-568.50	OI	874.75	909.50
S2	-1063.00	-433.50	GND	1062.75	717.00
S3	-1063.00	-298.50	BD[0]	945.25	547.50
S4	-1063.00	-163.50	T1	945.25	412.50
S5	-1063.00	-28.50	T2	945.25	277.50
S6	-1063.00	163.00	B[1]	945.25	142.50
S7	-1063.00	298.00	VDD	1062.75	-27.00
S8	-1063.00	433.00	I5	1062.75	-162.00
S9	-1063.00	568.00	I4	1062.75	-300.50
S10	-1063.00	703.00	I3	1062.75	-444.50
C1	-1033.00	909.50	I2	1062.75	-583.00
C2	-898.00	909.50	I1	1062.75	-727.00
C3	-763.00	909.50	I0	1062.75	-865.00
V2	-628.00	909.50			
V1	-493.00	909.50			

Application Circuit and Operation

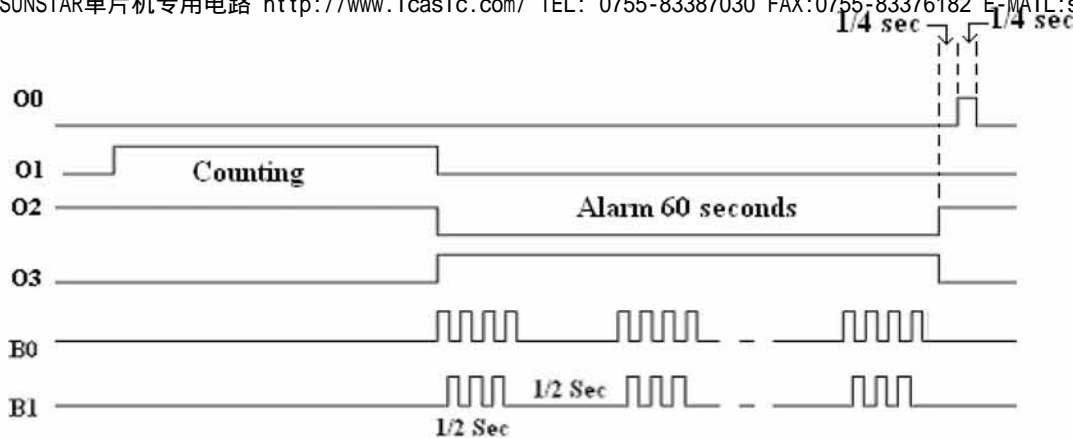


Key's summary

Bonding option(Default Value)

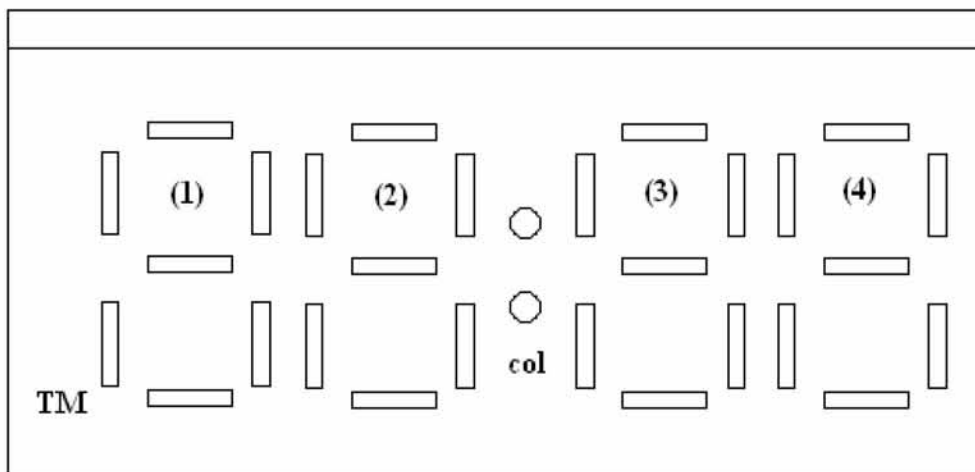
I4	I3	I2	I1	I0	Default Value Selection
GND	GND	GND	GND	GND	1 Minute
GND	GND	GND	GND	VDD	2 Minutes
GND	GND	GND	VDD	GND	3 Minutes
GND	GND	GND	VDD	VDD	4 Minutes
GND	GND	VDD	GND	GND	5 Minutes
GND	GND	VDD	GND	VDD	6 Minutes
GND	GND	VDD	VDD	GND	7 Minutes
GND	GND	VDD	VDD	VDD	8 Minutes
GND	VDD	GND	GND	GND	9 Minutes
GND	VDD	GND	GND	VDD	10 Minutes
GND	VDD	GND	VDD	GND	11 Minutes
GND	VDD	GND	VDD	VDD	12 Minutes
GND	VDD	VDD	GND	GND	13 Minutes
GND	VDD	VDD	GND	VDD	14 Minutes
GND	VDD	VDD	VDD	GND	15 Minutes
GND	VDD	VDD	VDD	VDD	20 Minutes
VDD	GND	GND	GND	GND	25 Minutes
VDD	GND	GND	GND	VDD	30 Minutes
VDD	GND	GND	VDD	GND	35 Minutes
VDD	GND	GND	VDD	VDD	40 Minutes
VDD	GND	VDD	GND	GND	45 Minutes
VDD	GND	VDD	GND	VDD	50 Minutes
VDD	GND	VDD	VDD	GND	55 Minutes
VDD	GND	VDD	VDD	VDD	60 Minutes
VDD	VDD	GND	GND	GND	65 Minutes
VDD	VDD	GND	GND	VDD	70 Minutes
VDD	VDD	GND	VDD	GND	75 Minutes
VDD	VDD	GND	VDD	VDD	80 Minutes
VDD	VDD	VDD	GND	GND	85 Minutes
VDD	VDD	VDD	GND	VDD	90 Minutes
VDD	VDD	VDD	VDD	GND	95 Minutes
VDD	VDD	VDD	VDD	VDD	99 Minutes 59 Seconds

Output Waveform



LCD Drawing

Pin 1



LCD Table(LCD – 13XX)

Pin Name	Pad	COM1	COM2	COM3	Pin Name	Pad	COM1	COM2	COM3
Pin 1	C3			COM3	Pin 8	S5	2b	2c	2d
Pin 2	C2		COM2		Pin 9	S6	3f	col	3e
Pin 3	C1	COM1			Pin 10	S7	3a	3g	3d
Pin 4	S1	1f	1e	TM	Pin 11	S8	3b	3c	4e
Pin 5	S2	1a	1g	1d	Pin 12	S9	4f	4g	4d
Pin 6	S3	2f	1b	1c	Pin 13	S10	4a	4b	4c
Pin 7	S4	2a	2g	2e					

Update History

Date	Version	Note
		Update description
2008/6/30	V1.3	/