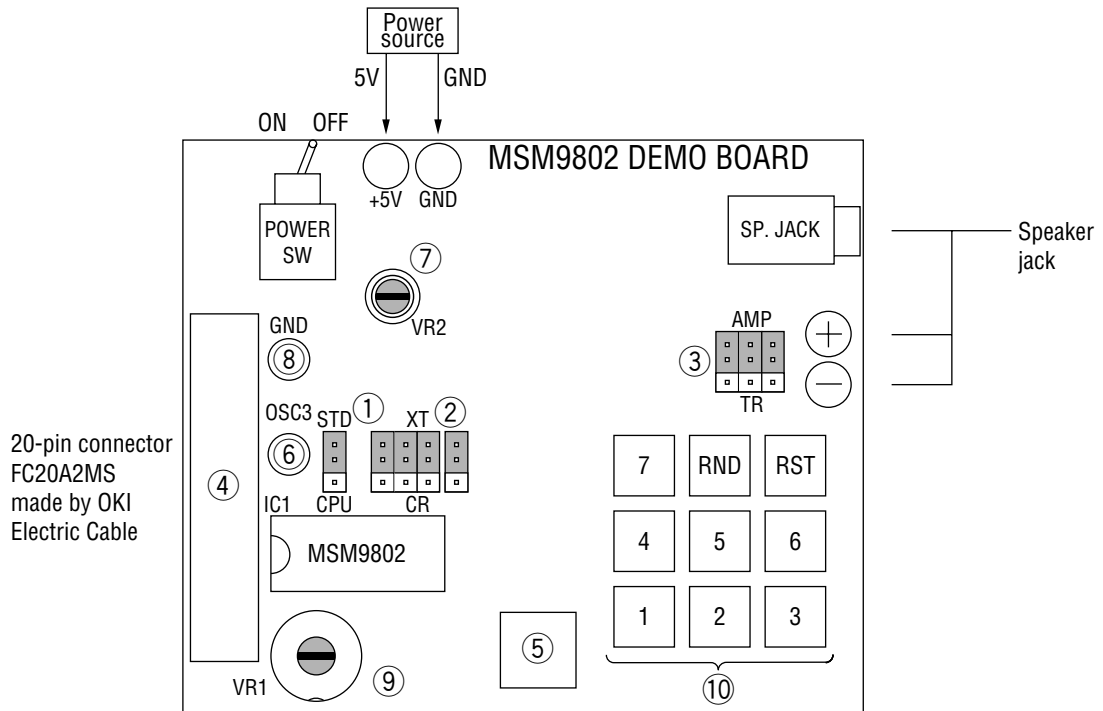


MSM9802 DEMO BOARD

MSM9802 DEMONSTRATION BOARD

BOARD OUTLINE



HOW TO USE BOARD

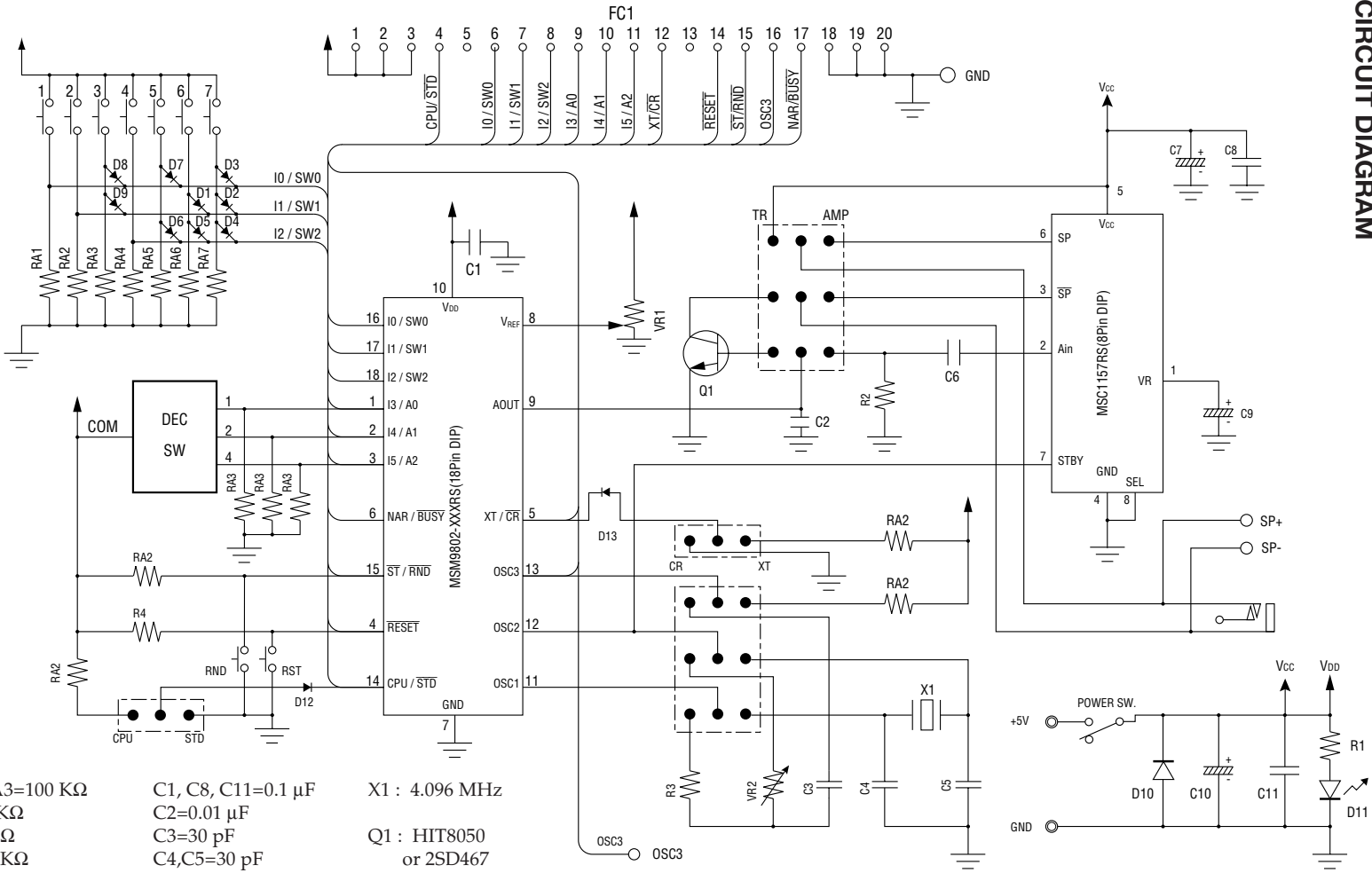
- ① Stand-alone/microcontroller interface selection jumper
 The stand-alone/microcontroller selection jumper is used to select the operation in stand-alone mode or the operation by a microcontroller interface. For the stand-alone operation, set the jumper wire up (to STD). For the operation by a microcontroller interface, set the jumper wire down (to CPU).
- ② Ceramic oscillation/RC oscillation selection jumper
 The ceramic oscillation/RC oscillation selection jumper is used to select the operation by ceramic oscillation or by RC oscillation. For the operation by ceramic oscillation, set four jumper wires up (to XT). For the operation by RC oscillation, set four jumper wires down (to RC).
- ③ AMP/TR selection jumper
 To amplify the analog signal output from AOUT by the amplifier IC (MSC1157) on the board, set three jumpers up (to AMP). To amplify by the transistor, set three jumpers down (to TR).

- ④ 20-pin connector
Signals necessary for operation using the microcontroller are connected to the 20-pin connector. Connector pin assignment is as follows:

Connector pin No.	Signal	Connector pin No.	Signal
1	V _{DD}	11	I5/A2
2	V _{DD}	12	XT/CR
3	V _{DD}	13	NC
4	CPU/STD	14	RESET
5	NC	15	ST/RND
6	I0/SW0	16	OSC3
7	I1/SW1	17	NAR/BUSY
8	I2/SW2	18	GND
9	I3/A0	19	GND
10	I4/A1	20	GND

- ⑤ Address setting switch
When used in stand-alone mode, select a playback word using this HEX switch. 0-7 in this HEX switch correspond to A0-A2 in binary data. When a microcontroller is used, set the HEX switch to 0.
- ⑥ Frequency check pin (OSC3)
This pin is used to monitor the oscillation frequency of RC oscillation.
- ⑦ Variable resistor (VR2) for adjusting the frequency of RC oscillation.
This variable resistor can change the frequency of RC oscillation. When the resistor is turned clockwise, the frequency decreases. When the resistor is turned counterclockwise, the frequency increases. The frequency can be monitored by the check pin of ⑥. Adjust the oscillation frequency to 256 kHz normally.
- ⑧ GND pin
- ⑨ Speaker output volume (VR1 used on a common base by AMP/TR)
This volume is used to adjust the sound level. When the VR is turned counterclockwise, the sound turns down. The V_{REF} pin is used for sound volume adjustment. For the maximum sound volume, the GND level is input to the V_{REF} pin. For the minimum sound volume, the V_{DD} level is input.
- ⑩ Playback SW input interface
When the stand-alone mode is used, press the 1-7 switches to playback voices corresponding to 1-7 of SW2-SW0. Press the RND switch on the center (random voice playback switch) to playback a voice randomly selected from 15 phrases corresponding to A0, SW2-SW0. If the RND switch is pressed immediately after power on or RESET signal input, the voice of the first phrase is played back first, then a random phrase is generated from the second time onward.

CIRCUIT DIAGRAM



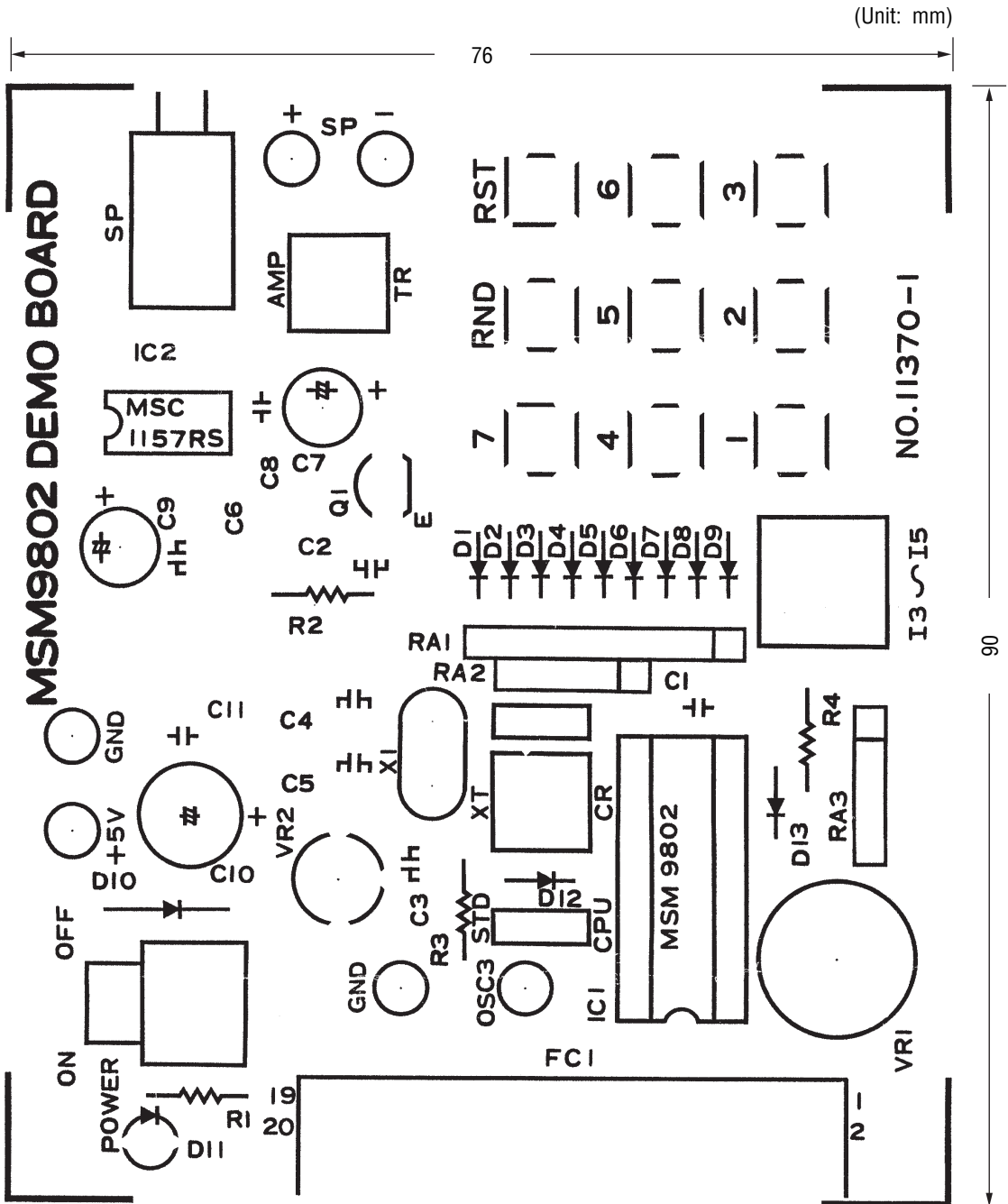
RA1-RA3=100 KΩ
 R1=5.1 KΩ
 R2=240 Ω
 R3=150 KΩ
 R4=100 KΩ
 VR1, VR2=100 KΩ

C1, C8, C11=0.1 μF
 C2=0.01 μF
 C3=30 pF
 C4, C5=30 pF
 C6=47 nF
 C7=10 μF
 C9=4.7 μF
 C10=220 μF

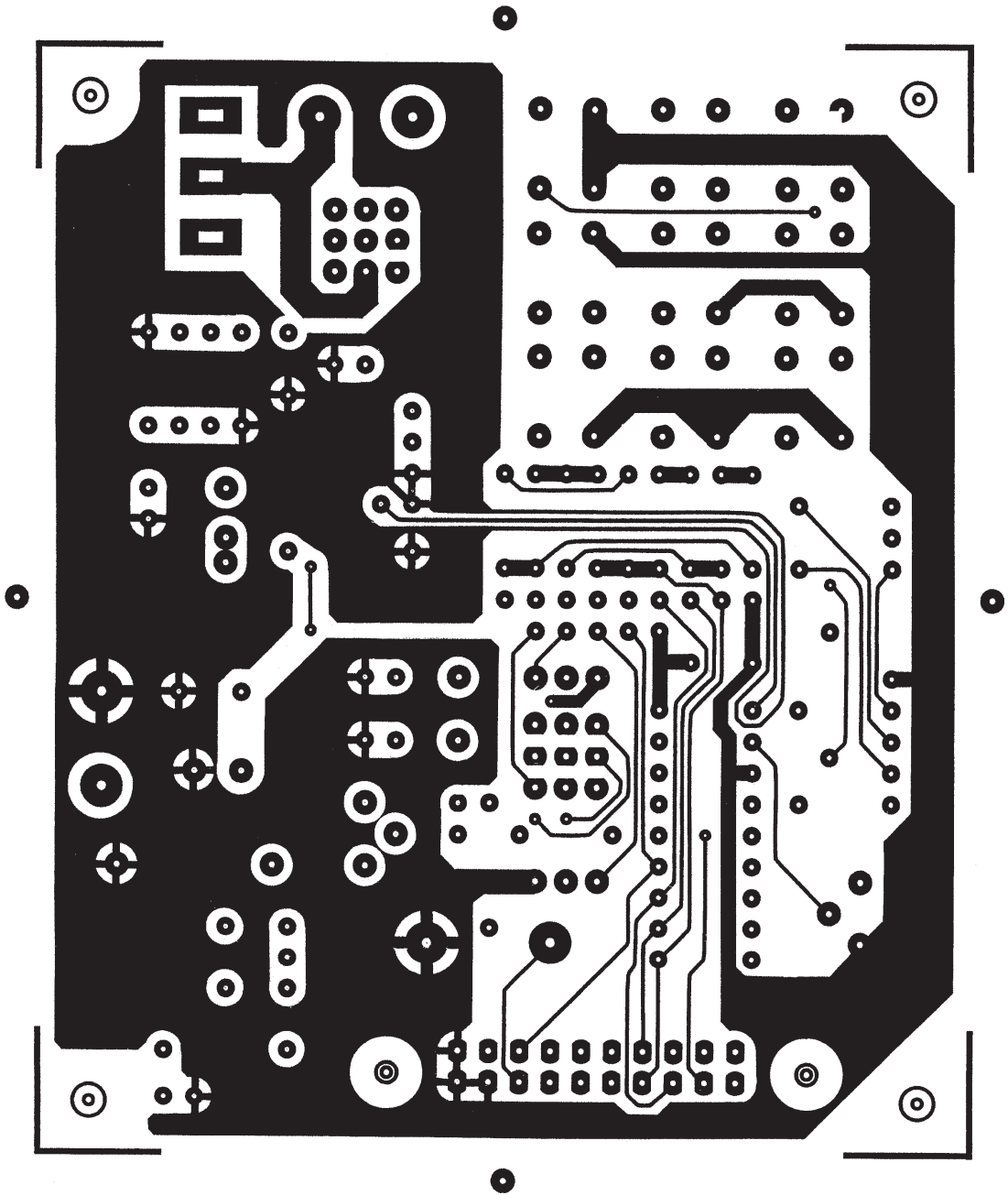
X1 : 4.096 MHz
 Q1 : HIT8050
 or 2SD467
 D10 : 10D1

DEMONSTRATION BOARD LAYOUT

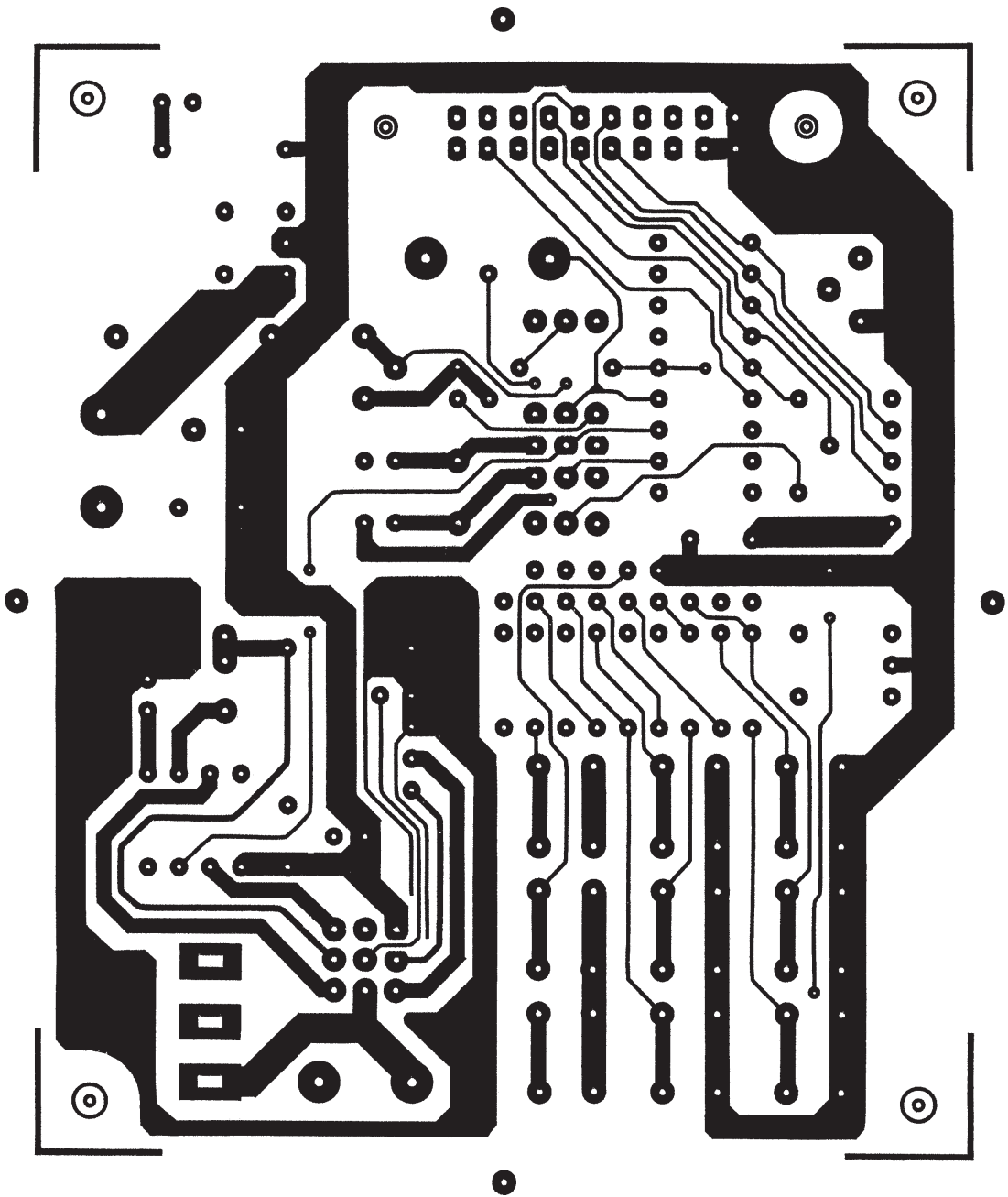
Silk Drawing



Component side



Solder Side



NOTICE

1. The information contained herein can change without notice owing to product and/or technical improvements. Before using the product, please make sure that the information being referred to is up-to-date.
2. The outline of action and examples for application circuits described herein have been chosen as an explanation for the standard action and performance of the product. When planning to use the product, please ensure that the external conditions are reflected in the actual circuit, assembly, and program designs.
3. When designing your product, please use our product below the specified maximum ratings and within the specified operating ranges including, but not limited to, operating voltage, power dissipation, and operating temperature.
4. Oki assumes no responsibility or liability whatsoever for any failure or unusual or unexpected operation resulting from misuse, neglect, improper installation, repair, alteration or accident, improper handling, or unusual physical or electrical stress including, but not limited to, exposure to parameters beyond the specified maximum ratings or operation outside the specified operating range.
5. Neither indemnity against nor license of a third party's industrial and intellectual property right, etc. is granted by us in connection with the use of the product and/or the information and drawings contained herein. No responsibility is assumed by us for any infringement of a third party's right which may result from the use thereof.
6. The products listed in this document are intended for use in general electronics equipment for commercial applications (e.g., office automation, communication equipment, measurement equipment, consumer electronics, etc.). These products are not authorized for use in any system or application that requires special or enhanced quality and reliability characteristics nor in any system or application where the failure of such system or application may result in the loss or damage of property, or death or injury to humans. Such applications include, but are not limited to, traffic and automotive equipment, safety devices, aerospace equipment, nuclear power control, medical equipment, and life-support systems.
7. Certain products in this document may need government approval before they can be exported to particular countries. The purchaser assumes the responsibility of determining the legality of export of these products and will take appropriate and necessary steps at their own expense for these.
8. No part of the contents contained herein may be reprinted or reproduced without our prior permission.
9. MS-DOS is a registered trademark of Microsoft Corporation.

Copyright 1999 Oki Electric Industry Co., Ltd.