

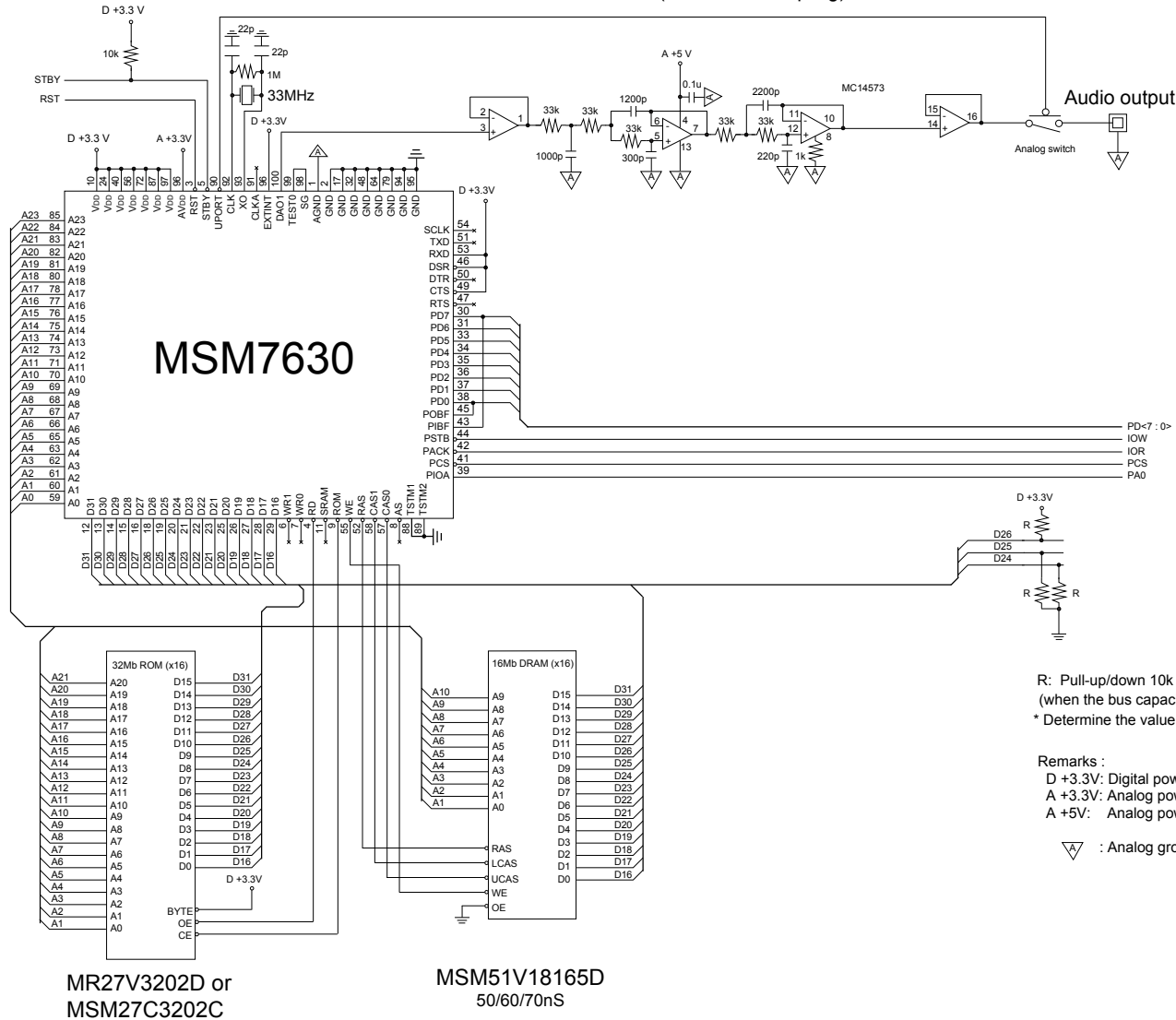
Text-to-Speech Synthesis System Sample Circuit Diagram No.001c

(Configuration: Micro-controller Interface)

This circuit diagram applies the following OKI standard ROMs.

1. US English male voice TTS: MR27V3202D-17
2. US English female voice TTS: MR27V3202D-18
3. UK English male voice TTS: MR27V3202D-19
4. German male voice TTS: MR27V3202D-20
5. German female voice TTS: MR27V3202D-21
6. French male voice TTS: MR27V3202D-22
7. French female voice TTS: MR27V3202D-23

Butterworth low-pass filter
 $f_c = 6.4 \text{ kHz}$ (for 16 kHz sampling)



R: Pull-up/down 10k
 (when the bus capacitance is 100 pF)*
 * Determine the value of each resistor so that the bus stabilize within 18 micro second.

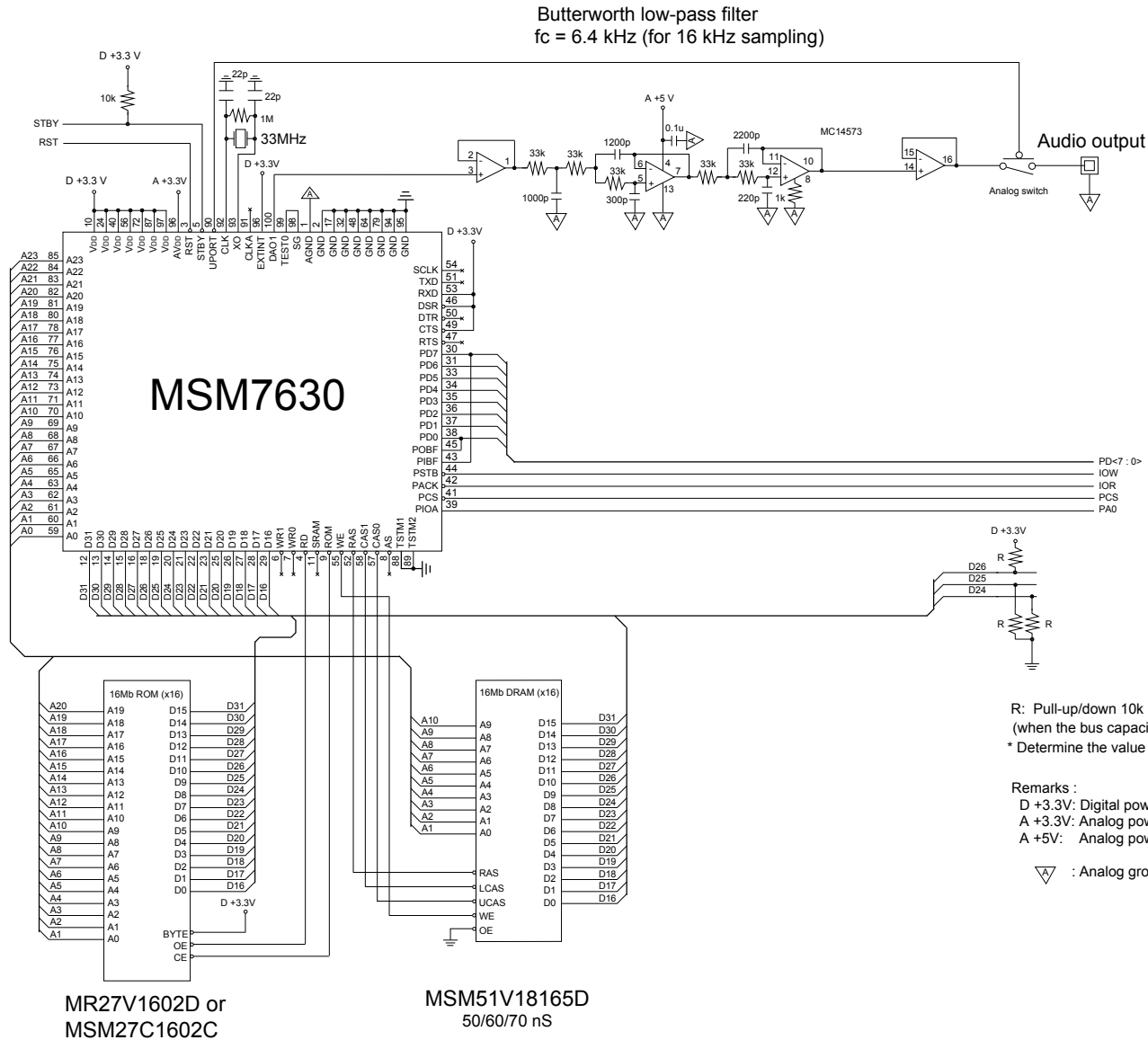
Remarks :
 D +3.3V: Digital power supply voltage
 A +3.3V: Analog power supply voltage
 A +5V: Analog power supply voltage

▽ : Analog ground

Text-to-Speech Synthesis System Sample Circuit Diagram No.002c

(Configuration: Micro-controller Interface)

This circuit diagram applies the following OKI standard ROM.
1. Spanish male voice TTS: MR27V1602D-11

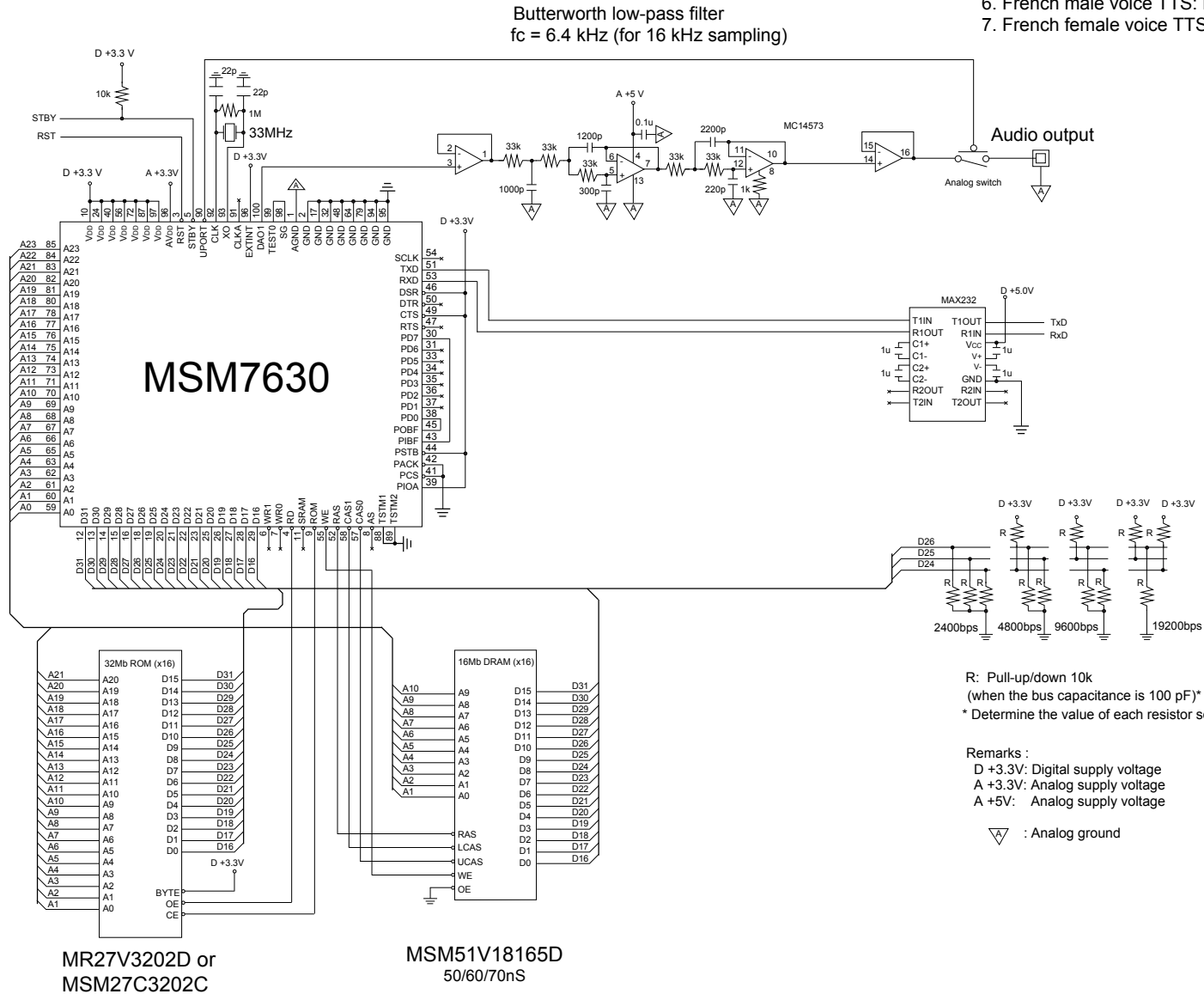


Text-to-Speech System Sample Circuit Diagram No.003c

(Configuration: Serial Interface)

This circuit diagram is applied following OKI standard ROMs.

1. US English male voice TTS: MR27V3202D-17
2. US English female voice TTS: MR27V3202D-18
3. UK English male voice TTS: MR27V3202D-19
4. German male voice TTS: MR27V3202D-20
5. German female voice TTS: MR27V3202D-21
6. French male voice TTS: MR27V3202D-22
7. French female voice TTS: MR27V3202D-23



Text-to-Speech System Sample Circuit Diagram No.004c

(Configuration: Serial Interface)

This circuit diagram is applied following OKI standard ROM.
1. Spanish male voice TTS: MR27V1602D-11

