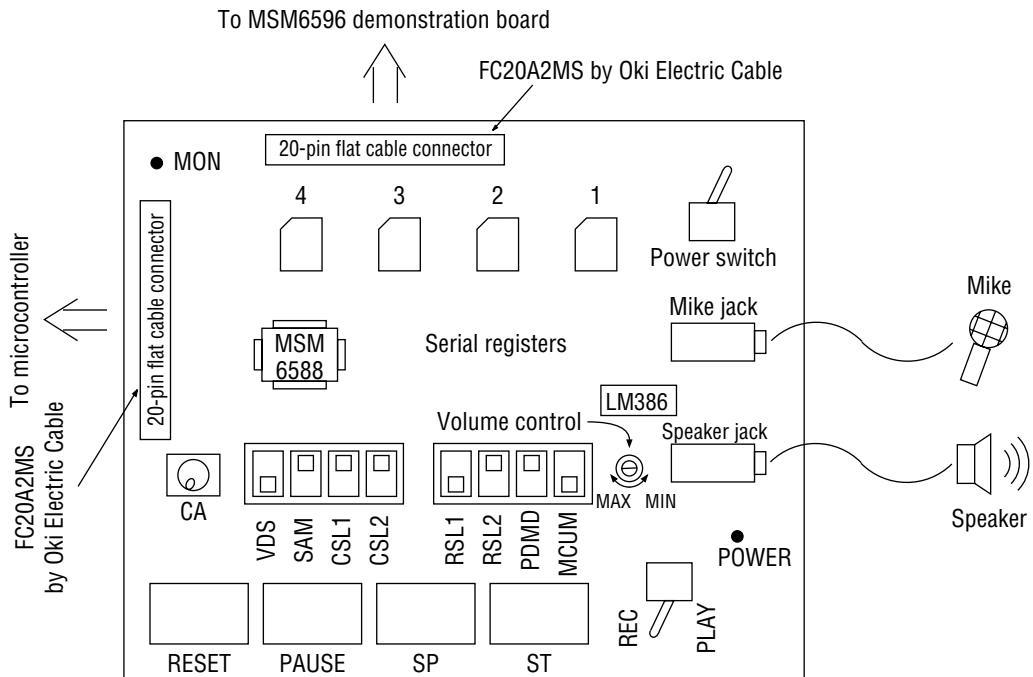


MSM6588 DEMO BOARD

MSM6588 Demonstration Board

BOARD DESIGN



CONDITIONS SETTING PROCEDURE

Set the recording conditions with the two DIP switches and one rotary switch. After setting the switches, recording for 85 seconds can be done using the two serial registers of 1M-bit at 8 kHz sampling (3-bit ADPCM 8 kHz sampling).

- Set MCUM of the DIP switch to OFF.
The MSM6588 enters the stand-alone mode. (When the MCUM is set to ON the MSM6588 enters the microcontroller interface mode.)
- Set RSL1 and RSL2 of the DIP switches as shown in the table below depending on the number of serial registers mounted.

RSL2	OFF		ON	
	OFF	ON	OFF	ON
RSL1	OFF	ON	OFF	ON
Number of serial registers	256K or 512K-bit 1pc.	1M-bit 1pc.	1M-bit 2pcs.	1M-bit 4pcs.

3. Specify the control mode and channel number for recording by CSL1 and CSL2 of the DIP switch.

CSL2	OFF		ON	
CSL1	OFF	ON	OFF	ON
Control mode	Fixed mode			Flex mode
Number of channels	8-word	4-word	2-word	8-word

Fixed mode:

The recording time of each channel is the time equivalent of the memory capacity equally divided by the memory capacity of the external serial registers and the number of channels.

The recording of each channel can be obtained from the following equations.

$$\text{Recording time} = \frac{1.024 \times 1024 \text{ (K bit)} \times \text{Number of serial registers}}{\text{Sampling frequency (kHz)} \times 3 \text{ (bit)} \times \text{Number of channels}} \text{ (sec)}$$

For example, the recording time for each channel with two serial registers on two channels at the sampling frequency of 8 kHz (RSL1=OFF, RSL2=ON, CSL1=OFF, CSL2=ON and SAM=ON) is as shown below.

$$\text{Recording time} = \frac{1.024 \times 1024 \text{ (K bit)} \times 2}{8 \text{ (kHz)} \times 3 \times 2} = 44 \text{ (sec)}$$

Flex mode:

The recording time of each channel becomes available within the range of the memory capacitor for the external serial registers and is recorded to ch0, ch1, and ch7.

4. Set the rotary switch (CA) to the channel to be recorded.

CA	Fixed Mode			Flex Mode
	8-word	4-word	2-word	8-word
0	ch0	ch0	ch0	ch0
1	ch1			ch1
2	ch2	ch1		ch2
3	ch3			ch3
4	ch4	ch2	ch1	ch4
5	ch5			ch5
6	ch6	ch3		ch6
7	ch7		ch7	

5. Specify the sampling frequency at SAM of the DIP switch.

SAM	OFF	ON
Sampling frequency	$\frac{f_{osc}}{768}$	$\frac{f_{osc}}{512}$
f_{smp}	(5.3 kHz)	(8.0 kHz)

The frequencies within the parentheses are at the original oscillation $f_{OSC}=4.096$ MHz.

6. Set the PDMD of the DIP switch to ON.

OFF: The MSM6588 enters the power-down state except recording and playback.
 ON: The MSM6588 always enters the stand-by state. The time lag up to starting the playback decreases after input.

7. Select whether or not the voice is activated by VDS with the DIP switch.

OFF: Ordinary mode, the voice is not activated.
 ON: The voice is activated.

Note: When the activation of the voice is required, use the DC stabilized power supply without using the battery driving power. In the case of the battery, the power fluctuation of a few mV in starting the recording is amplified and results in determining that there is sound.

RECORDING PROCEDURE

1. Turn the toggle switch on the upper right of the demonstration board to ON to engage power. The LED on the lower left of the demonstration board lights.
2. Set the conditions as specified in the Conditions Setting Procedure section.
3. Set the toggle switch on the lower right of the demonstration board to REC to select the recording mode.
4. Press the ST button and record the voice via the mike. During recording, the LED (MON) on the demonstration board lights.
5. When the voice is recorded to the last of the channel memory, the recording automatically finishes. To stop recording halfway through, press the SP button.

PLAYBACK PROCEDURE

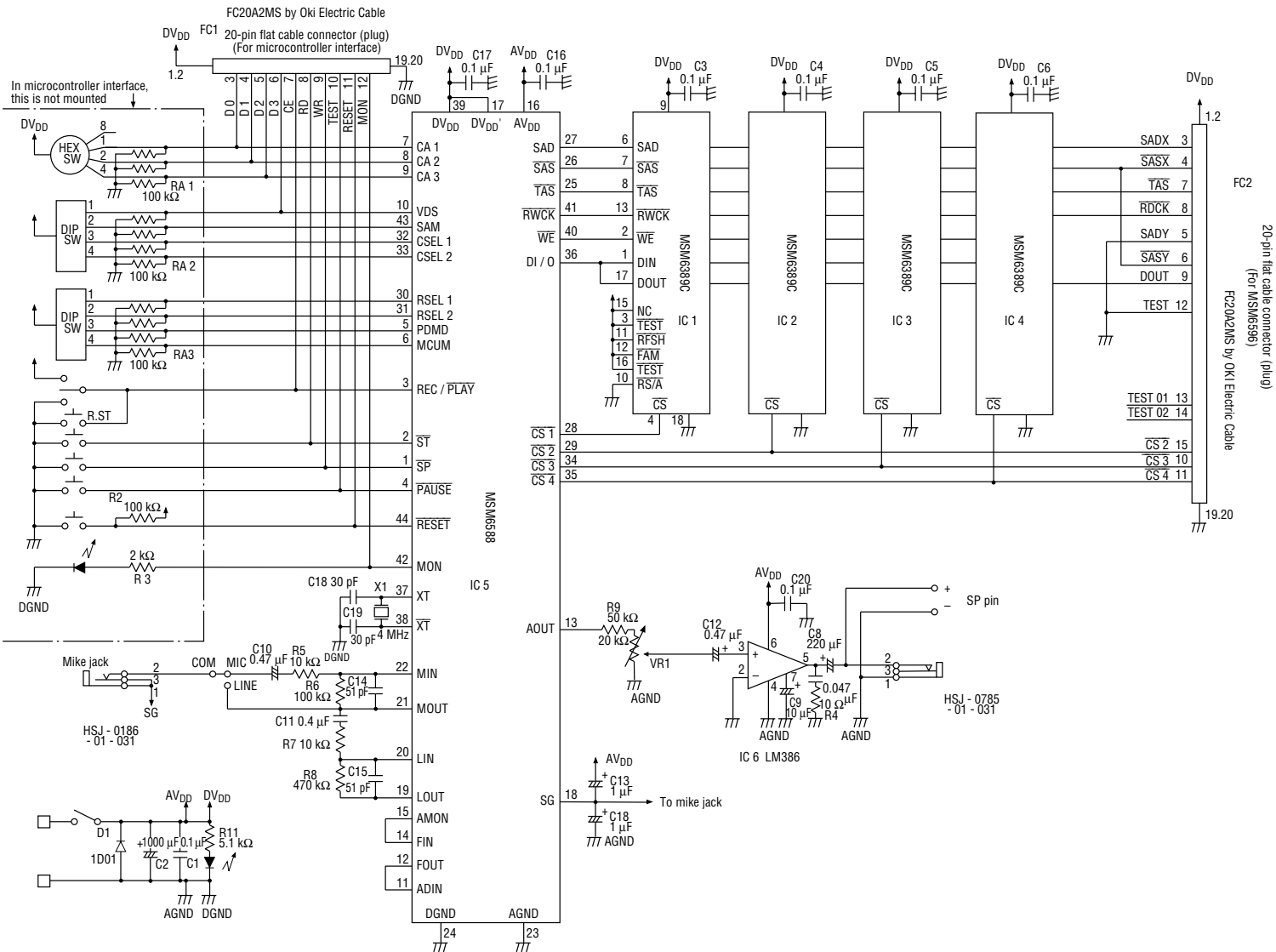
1. Set the toggle switch on the lower right of the demonstration board to PLAY to select the playback mode.
2. Press the ST button to start the playback. During the playback, the LED (MON) comes on.
3. When the playback is complete, the recording is automatically terminated. To stop the playback halfway through, press the SP button again.
4. Use the volume control to adjust the playback volume.

PAUSE PROCEDURE OF RECORD/PLAYBACK

1. When the PAUSE button is pressed during record/playback, the record/playback pauses.
2. Press the ST button again, and the playback starts again.

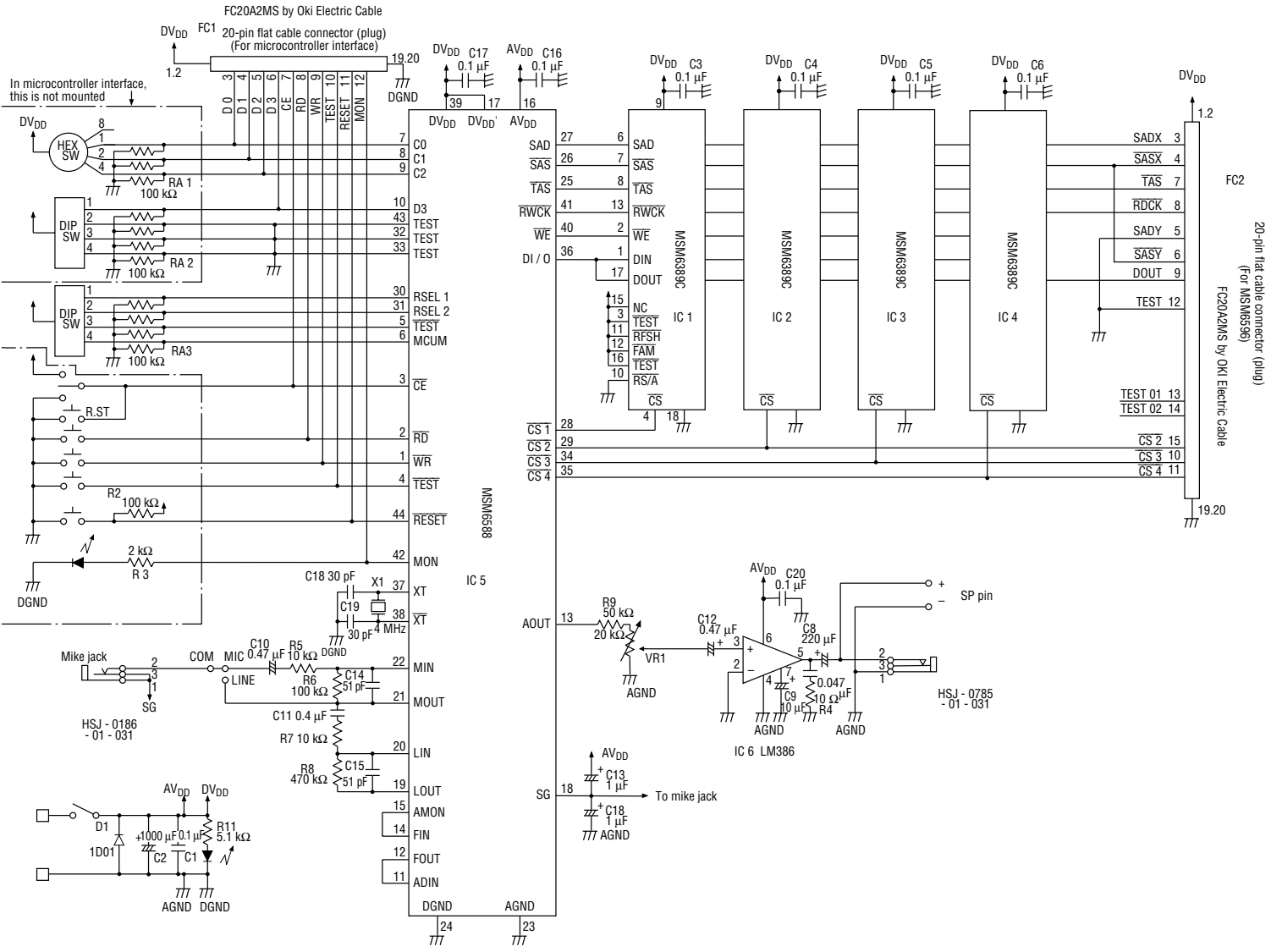
CIRCUIT DIAGRAMS

Stand-alone Type



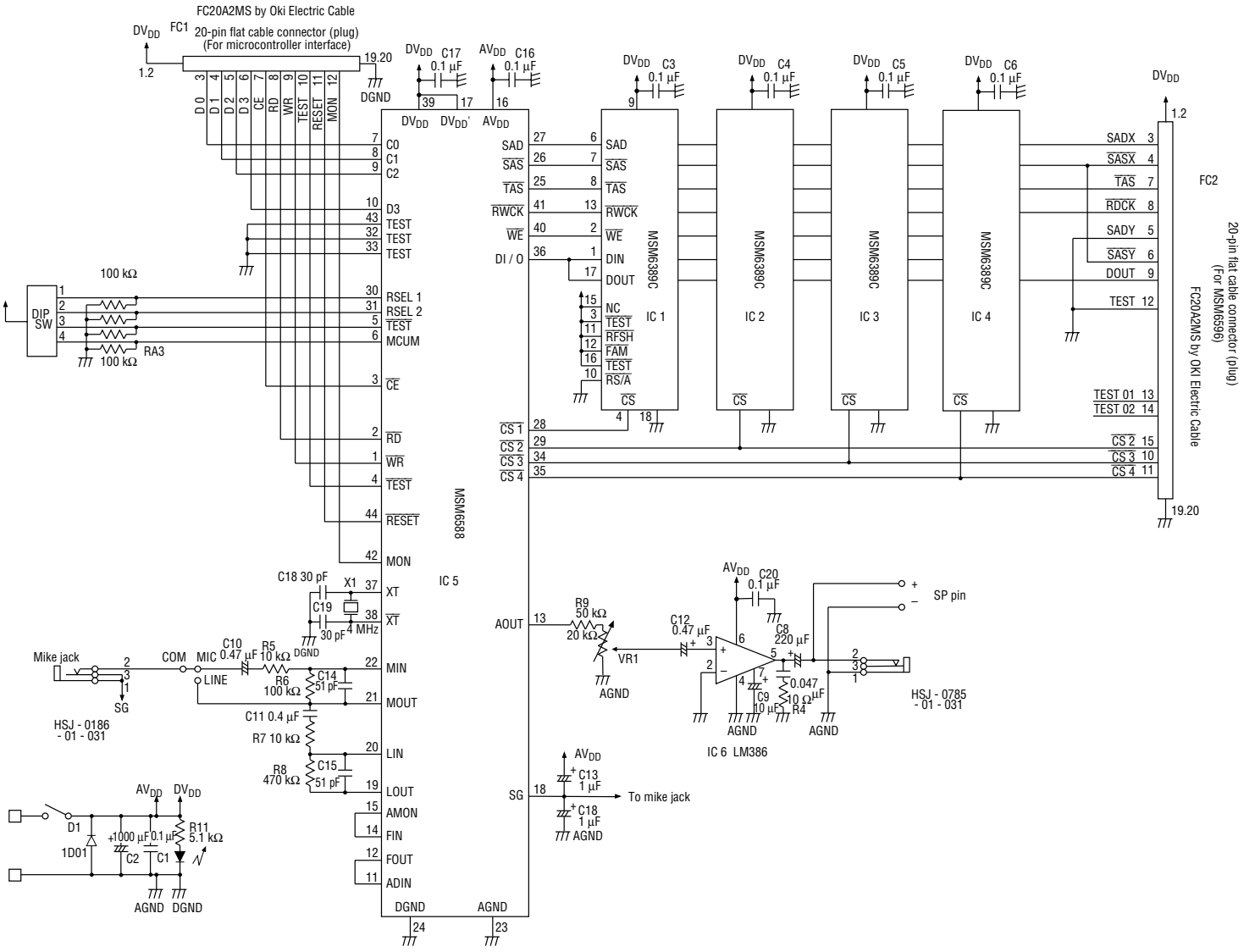
Microcontroller Interface Mode

Change method for microcontroller interface mode



Note: 10-pin (VDS), 43-pin (SAM), 32-pin(CSEL1), and 33-pin (CSEL2) should be grounded.

Microcontroller Type



SETTING PROCEDURE OF CONDITIONS (Microcontroller Type)

Set the recording conditions by one DIP switch.

Set the RSL1 and RSL2 of DIP switch as listed below according to the number of serial registers to be mounted.

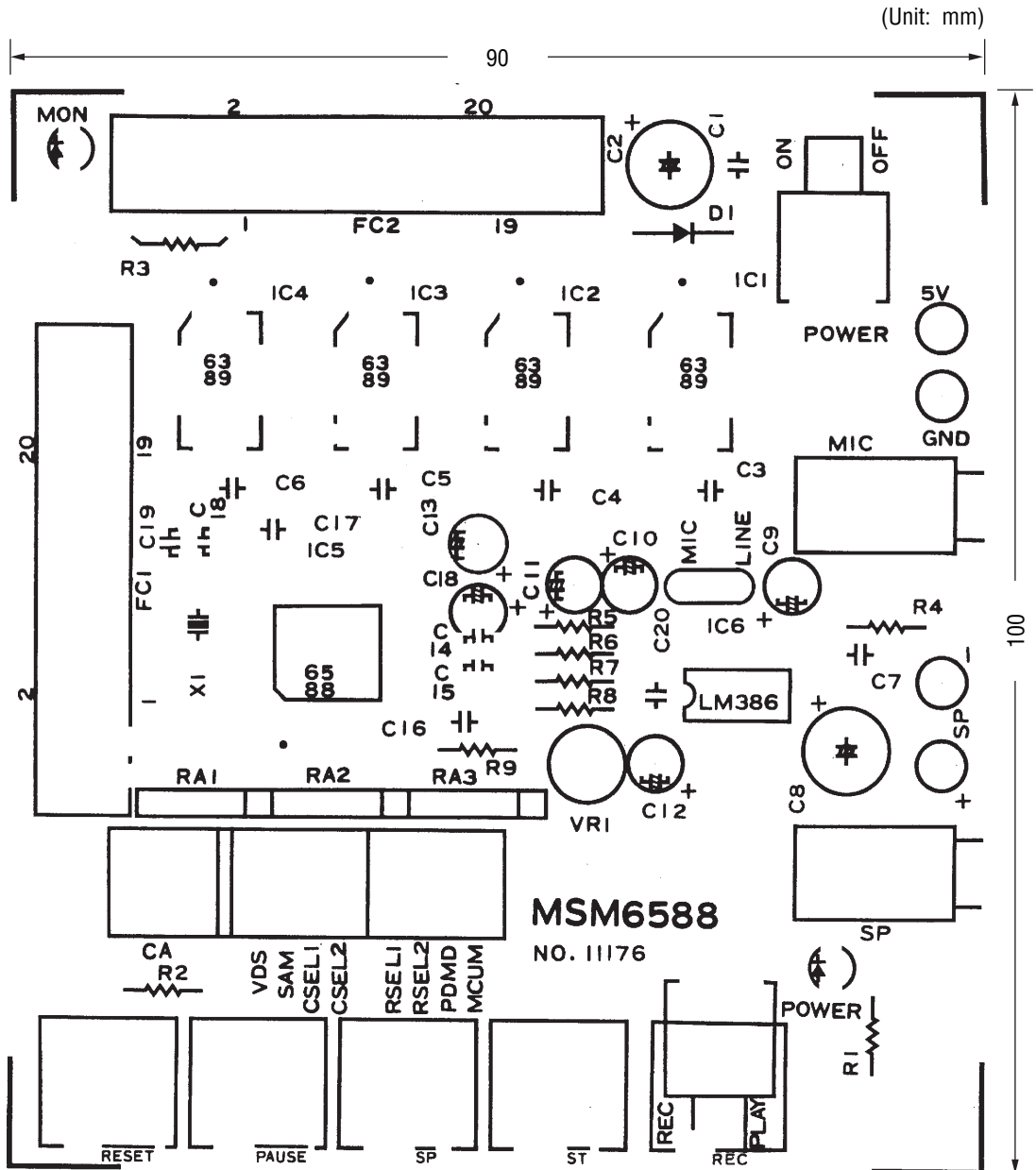
RSL2	OFF		ON	
RSL1	OFF	ON	OFF	ON
Number of Serial Registers	256Kbits or 512Kbits 1 piece	1Mbits 2 pieces	1Mbits 3 pieces	1Mbits 4 pieces

Set the PDMD of DIP switch to ON side.

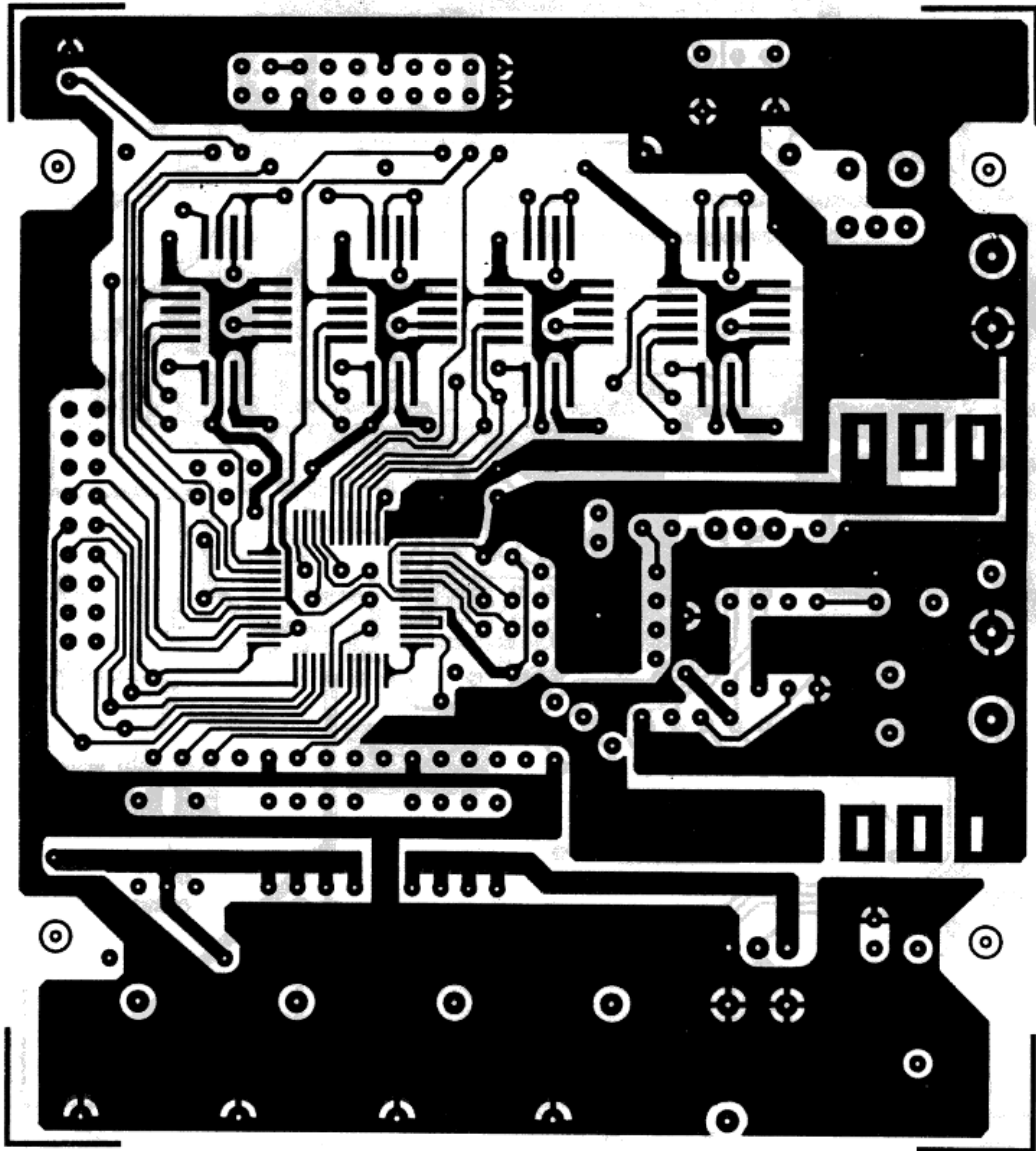
Set the MCUM of DIP switch to ON side.

PATTERN LAYOUT

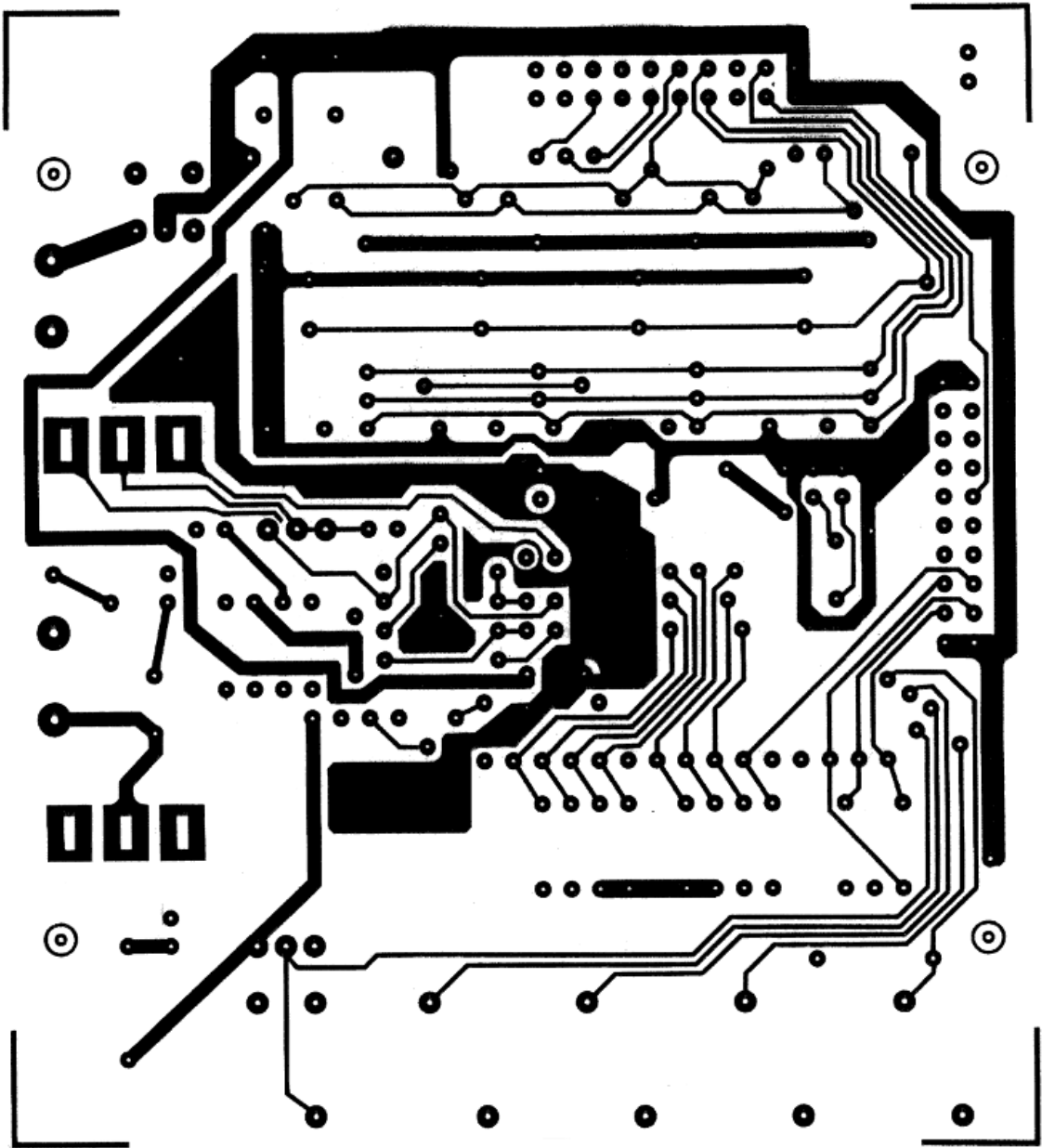
Silk Screen



Mounting Side



Solder Side



NOTICE

1. The information contained herein can change without notice owing to product and/or technical improvements. Before using the product, please make sure that the information being referred to is up-to-date.
2. The outline of action and examples for application circuits described herein have been chosen as an explanation for the standard action and performance of the product. When planning to use the product, please ensure that the external conditions are reflected in the actual circuit, assembly, and program designs.
3. When designing your product, please use our product below the specified maximum ratings and within the specified operating ranges including, but not limited to, operating voltage, power dissipation, and operating temperature.
4. Oki assumes no responsibility or liability whatsoever for any failure or unusual or unexpected operation resulting from misuse, neglect, improper installation, repair, alteration or accident, improper handling, or unusual physical or electrical stress including, but not limited to, exposure to parameters beyond the specified maximum ratings or operation outside the specified operating range.
5. Neither indemnity against nor license of a third party's industrial and intellectual property right, etc. is granted by us in connection with the use of the product and/or the information and drawings contained herein. No responsibility is assumed by us for any infringement of a third party's right which may result from the use thereof.
6. The products listed in this document are intended for use in general electronics equipment for commercial applications (e.g., office automation, communication equipment, measurement equipment, consumer electronics, etc.). These products are not authorized for use in any system or application that requires special or enhanced quality and reliability characteristics nor in any system or application where the failure of such system or application may result in the loss or damage of property, or death or injury to humans. Such applications include, but are not limited to, traffic and automotive equipment, safety devices, aerospace equipment, nuclear power control, medical equipment, and life-support systems.
7. Certain products in this document may need government approval before they can be exported to particular countries. The purchaser assumes the responsibility of determining the legality of export of these products and will take appropriate and necessary steps at their own expense for these.
8. No part of the contents contained herein may be reprinted or reproduced without our prior permission.
9. MS-DOS is a registered trademark of Microsoft Corporation.

Copyright 1999 Oki Electric Industry Co., Ltd.