

ML2110P Evaluation Board User's Manual

- Version 1.0 -

April 1, 2001

OKI Electric Industry Co.,LTD.

NOTICE

1. The information contained herein can change without notice owing to product and/or technical improvements. Before using the product, please make sure that the information being referred to is up-to-date.
2. The outline of action and examples for application circuits described herein have been chosen as an explanation for the standard action and performance of the product. When planning to use the product, please ensure that the external conditions are reflected in the actual circuit, assembly, and program designs.
3. When designing your product, please use our product below the specified maximum ratings and within the specified operating ranges including, but not limited to, operating voltage, power dissipation, and operating temperature.
4. Oki assumes no responsibility or liability whatsoever for any failure or unusual or unexpected operation resulting from misuse, neglect, improper installation, repair, alteration or accident, improper handling, or unusual physical or electrical stress including, but not limited to, exposure to parameters beyond the specified maximum ratings or operation outside the specified operating range.
5. Neither indemnity against nor license of a third party's industrial and intellectual property right, etc. is granted by us in connection with the use of the product and/or the information and drawings contained herein. No responsibility is assumed by us for any infringement of a third party's right which may result from the use thereof.
6. The products listed in this document are intended for use in general electronics equipment for commercial applications (e.g., office automation, communication equipment, measurement equipment, consumer electronics, etc.). These products are not authorized for use in any system or application that requires special or enhanced quality and reliability characteristics nor in any system or application where the failure of such system or application may result in the loss or damage of property, or death or injury to humans. Such applications include, but are not limited to, traffic and automotive equipment, safety devices, aerospace equipment, nuclear power control, medical equipment, and life-support systems.
7. Certain products in this document may need government approval before they can be exported to particular countries. The purchaser assumes the responsibility of determining the legality of export of these products and will take appropriate and necessary steps at their own expense for these.
8. No part of the contents contained herein may be reprinted or reproduced without our prior permission.

Copyright 2001 Oki Electric Industry Co., Ltd.

The ML2110P Evaluation Board enables a user to evaluate the speech data converted from text data that is sent from a host system through a serial interface (RS232C) or a parallel interface (ISA BUS). The board simulates not only the functions and performance of ML2110, but also a work with a user dictionary and the condition of control using the control code.

1. BOARD CONFIGURATION

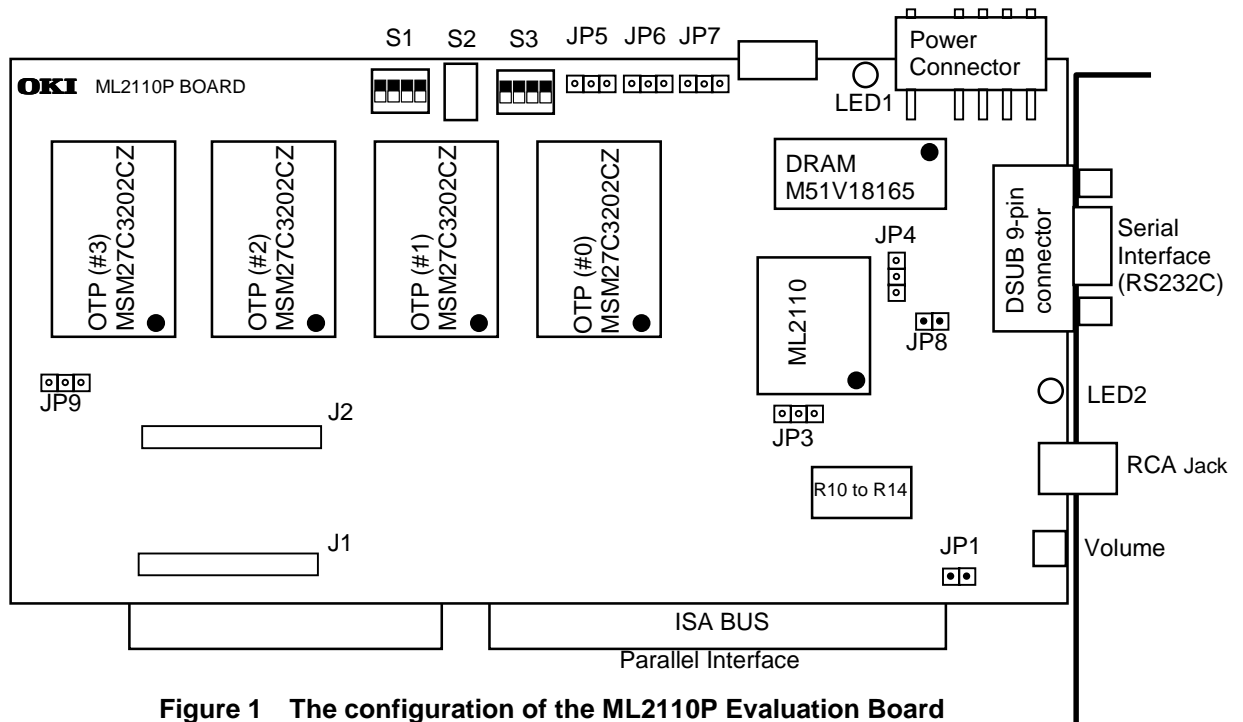


Figure 1 The configuration of the ML2110P Evaluation Board

1.1 S1 (DIP-4)

This DIP switch sets the port address of the board when a parallel interface is used.

PIN 1 to 4 of DIP Switch correspond to SA12 to SA15.

When pins are on "ON" side, the mode of Low (= "0") is set. When they are on "OFF" side, High (= "1") mode is set.

1.2 S2 (Reset)

The reset switch puts ML2110 into its initial condition.

When the board is used with a MCU Interface, the reset signal can be output by PC through ISA bus.

Whenever the configuration register values (JP5 to 7) are changed, be sure to reset ML2110.

1.3 S3 (DIP-4)

This DIP switch selects the program to be activated after reset of ML2110. The switch is valid only when OTP that includes a program selector function is setup on the board and the serial interface with a host system is selected. The pins of DIP switch 1 to 4 correspond to D31 to 28 of the configuration register.

When pins are on "ON" side, Low (= "0") is set. When they are on "OFF" side, High (= "1") mode is activated.

1.4 JP1

This jumper-pin short-circuits the digital-GND and analog-GND on the board.

Note: Normally, this jumper-pin is to be used in the short-circuited condition.

1.5 JP5 to 7

These jumper-pins specify the ML2110's configuration register values.

JP5 to 7 correspond to D26 to 24 of the configuration register. Please refer to Section 3.

1.6 JP8

This jumper-pin puts ML2110 into stand-by mode. When the jumper pin is short-circuited, a stand-by input signal is sent so that ML2110 stops operating.

Note: Please do not use this jumper pin in the short-circuited condition.

1.7 Power Supply Connector

When the board is used in stand-alone mode (serial interface), the power is supplied through the connector. The board operates at 5.0 V. In case a MCU parallel interface is used, the power is supplied through the ISA bus, and this connector is not used.

1.8 RCA Jack

The RCA jack is the line output terminal to output the converted speech data.

The Jack is connected with the speaker with a built-in amplifier

1.9 Volume Controller

The pin controls the output voltage (volume) to the RCA jack.

To avoid amplifying the noise generated by the low-pass filter, turn the volume down to the lowest volume with on-board controller. Next use the external volume controller.

1.10 DSUB 9-Pin Connector

Select the DSUB 9-Pin connector when the RS232C interface is used. The transfer speed can be changed between 2400 bps and 19200 bps using ML2110's configuration register values (JP5 to 7).

1.11 ISA BUS

Select the ISA bus connector when the board is used with the parallel port interface (MCU parallel Interface).

1.12 J1, J2 Connectors

These connect the sub-board for FLASH memory with ML2110P Evaluation Board.

1.13 LED1

LED1 lights up when the power is supplied to the board.

1.14 LED2

When the UPORT signal of ML2110 is asserted, LED2 lights up.

1.15 JP3

This jumper-pin selects a boot-up OTP word size which is 16 bits or 32 bits. When the JP3 1 and 2 are connected, the 16-bit word size is available to boot up ML2110.

1.16 JP4

This jumper-pin selects a clock multiply ratio. When the JP4 1 and 2 are connected, the multiply ratio is 1 (one) and the JP4 2 and 3 are connected, the multiply ratio is 2 (two).

1.17 JP9

This jumper-pin selects either 64M OTP or 32M OTP. When the JP9 1 and 2 are connected, 32M OPTs are available.

2. HOW TO SUPPLY THE POWER

This evaluation board operates at 5 V single power supply. (ML2110 device and some devices on the board operate at 3.3 V. The operation voltage is converted from 5 to 3.3 V on the board.) Plug the cable into the connector as shown in Figure 2.

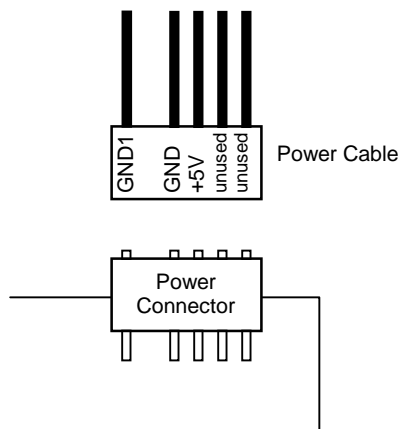


Figure 2 Power Supply Connection to ML2110P Evaluation Board

3. INTERFACE WITH HOST SYSTEM

The board supports two types of interface that are communicated with the host system.

- Serial interface
- Parallel interface

These two interfaces cannot be used simultaneously.

The type of interface is determined depending on the combination of the configuration registers as shown in Figure 3.

Interface	2400 bps serial	4800 bps serial
Value of configuration register D26, D25, D24	0 0 0	0 0 1
JP5, JP6, JP7		
Interface	9600 bps serial	19200 bps serial
Value of configuration register D26, D25, D24	0 1 0	0 1 1
JP5, JP6, JP7		
Interface	parallel	
Value of configuration register D26, D25, D24	1 0 0	
JP5, JP6, JP7		

Figure 3 Combination of configuration registers and the type of interface available

When the power of the board is turned on, the RESET DRV signal from the host system works internally as a reset signal for ML2110. The reset mode is to be released in the following steps, before the access to the board is started.

Procedure of start up (Reset release operation)

1. Write 0 data (or LSB only) into address 0xX183 (trigger reset)
2. Write 1 data (or LSB only) into address 0xX183 (release reset)

Procedure of data transmission

- Write into the board

1. Read PIO status from address 0xX182
2. Confirm that PD7 (bit 7) is "0" (if "1", wait until it gets to "0")
3. Write transfer data into address 0xX180

-Read from the board

1. Read PIO status from address 0xX182
2. Confirm that PD0 (bit 0) is "0" (if "0", wait until it gets to "1")
3. Read data from address 0xX180

In case OTP with the function of program selector is setup, the working program can be selected after the reset mode.

-Program selector function

1. Write the program number (PG3 to PG0) to address 0xX181 after reset mode.
2. Write 0 data (or LSB only) to address 0xX183 (to trigger reset)
3. Write 1 data (or LSB only) to address 0xX183 (to release reset)

4. OTHERS

4.1 Cut-off Frequency of Low-pass Filter (LPF)

The cut-off frequency of LPF can be changed by using resistors R10 to R14 (see Figure 1).

Table 1 shows TTS sampling frequencies corresponding resistor values of R10 to R14 and cut-off frequencies of LPF.

Table 1 TTS sampling frequencies, LPF resistor values and cut-off frequencies

Sampling frequency	R10 to R14 resistor value	LPF cut-off frequency
16 kHz	100 k Ω	6.4 kHz

4.2 Default Setting of DIP Switches (S1, S3) and Jumper-pin (JP5, JP6, JP7)

- S1 and S3 are all "ON".
- JP5, JP6, JP7: "9600 bps serial interface"