

## One Channel Thermopile Detector TS1x80B-A-D0.75-

Thermopile Detector based on thin film technology with a small active area recommended for temperature measurements with a band pass filter (8-14  $\mu\text{m}$ ).

Active Area	$\varnothing 0.5$	mm
Aperture	$\varnothing 0.75$	mm
Number of Thermocouples	80	
Time Constant $t_{(0-63\%)}^1$	typ. 40	ms
DC Output Voltage <sup>1</sup>	typ. 2.2	mV
DC Sensitivity <sup>1</sup>	typ. 295	V/W
Temperature Coefficient of Sensitivity <sup>2</sup>	typ. -0.4	%/K
Noise Voltage <sup>3</sup>	typ. 18	nV/Hz <sup>1/2</sup>
Noise Equivalent Power NEP <sup>1</sup>	typ. 0.06	nW/Hz <sup>1/2</sup>
Specific Detectivity $D^*^1$	typ. $7.2 \times 10^8$	cmHz <sup>1/2</sup> /W
Resistance of Thermopile <sup>3</sup>	$20 \pm 8$	k $\Omega$
Temperature Coefficient of Resistance <sup>2</sup>	typ. -0.03	%/K
Thermistor	0 – no thermistor Customer specific solution on request.	
Filling Gas <sup>4</sup>	N <sub>2</sub> / Kr	
Filters	Micro-Hybrid standard band pass filters (f.e. 8-14 $\mu\text{m}$ ) and more information please see document "infrared filters". Customized filters possible on request.	
Operation Temperature	-20 ... +85	°C
Mass	1	g
Housing	TO39 (modified)	

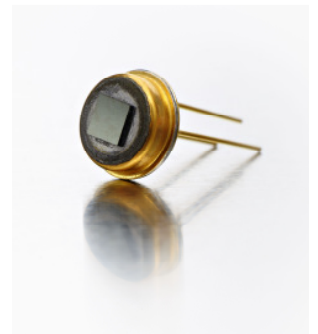
<sup>1</sup> on air without windows, Blackbody T=500 K; E=38 W/m<sup>2</sup>

<sup>2</sup> temperature range from +25 to +70°C

<sup>3</sup> at T<sub>amb</sub>=25 °C

<sup>4</sup> In case of Kr-filling increase of DC Output Voltage, DC Sensitivity, Specific Detectivity and Time Constant by the factor 1.8. Decrease of NEP by the same factor. Other gases on customer's request.

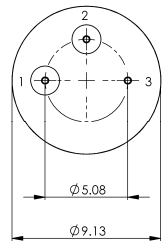
June 18<sup>th</sup> 2012 – subject to change without notice



### Bottom View

Pin Assignment:

- Pin 1 Output TP+
- Pin 2 Output TP-
- Pin 3 GND



### Ordering Information:

TS1x80B-A-D0.75 – Thermistor (F) – Backfill Gas (GG) – Filter (H)

e.g. TS1x80B-A-D0.75-0-Kr-B1

**Micro-Hybrid Electronic GmbH**

Heinrich-Hertz-Straße 8  
D-07629 Hermsdorf

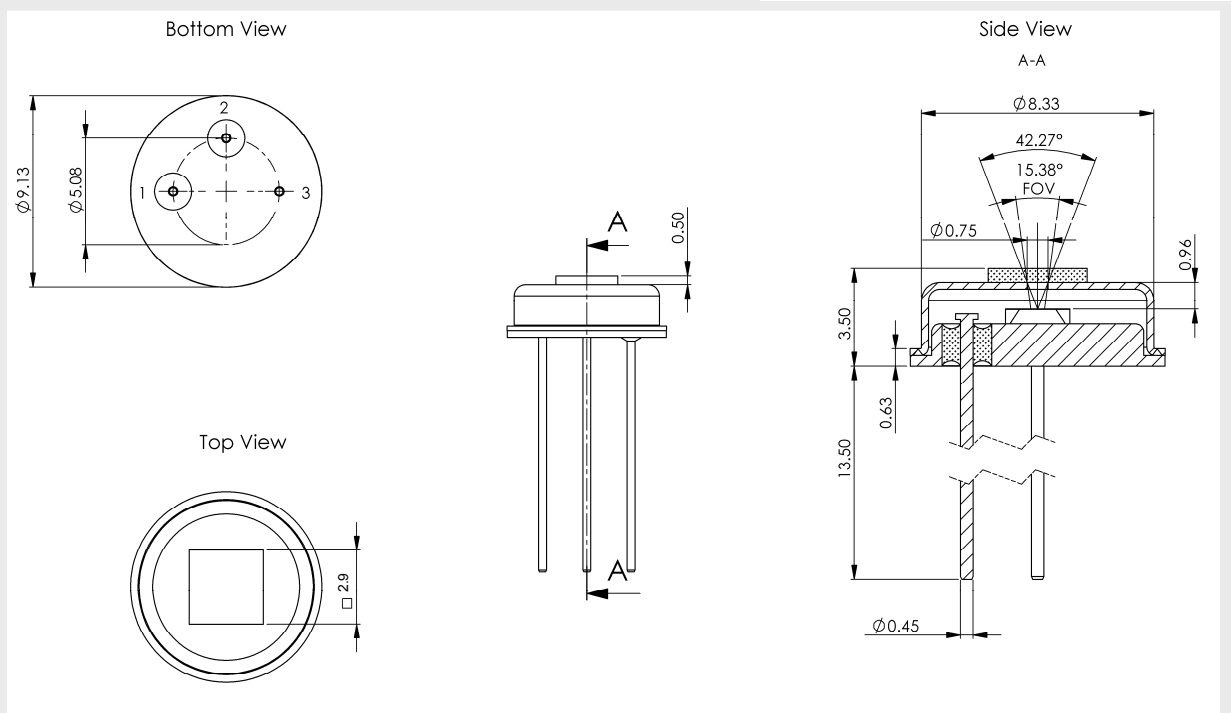
Tel +49 366 01 592 100  
Fax +49 366 01 592 110

Email: [infrared@micro-hybrid.de](mailto:infrared@micro-hybrid.de)  
Web: [www.micro-hybrid.de](http://www.micro-hybrid.de)

LIVING MICROWORLDS.

## One Channel Thermopile Detector TS1x80B-A-D0.75-

Housing  
TO39 package



### Optional parts:

IR-Source JSIR 350 - Fast IR emitter based on thin film technology  
Art.-Nr. 6351.01-3.01

**Micro-Hybrid Electronic GmbH**

Heinrich-Hertz-Straße 8  
D-07629 Hermsdorf

Tel +49 366 01 592 100  
Fax +49 366 01 592 110

Email: [infrared@micro-hybrid.de](mailto:infrared@micro-hybrid.de)  
Web: [www.micro-hybrid.de](http://www.micro-hybrid.de)