

## DESCRIPTION

The SDL9067 is a silicon-gate CMOS LSI for a 3-hand analog display watch. It provides three functions (hour, minute, second).  
 SUNSTAR单片机专用电路 <http://www.icasic.com/> TEL: 0755-83387030 FAX: 0755-83376182 E-MAIL: szsss20@163.com

It connects the analog LCD panel with 120 segments.

The SDL9067 has 20 segment output and 6 common outputs for direct drive a 1/6-duty multiplexing LCD.

It operates on a single 1.5V battery and the circuit time base is a 32768Hz crystal oscillator.

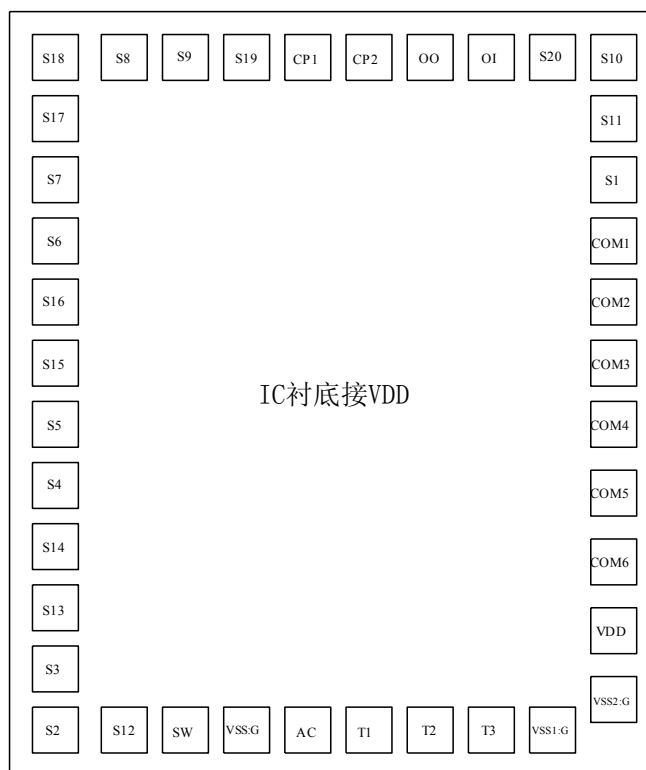
## FUNCTIONS

- 3 functions: hour, minute, second
- Time setting: Minute up setting
- 3 key operottm (全显、复位、时间调整)

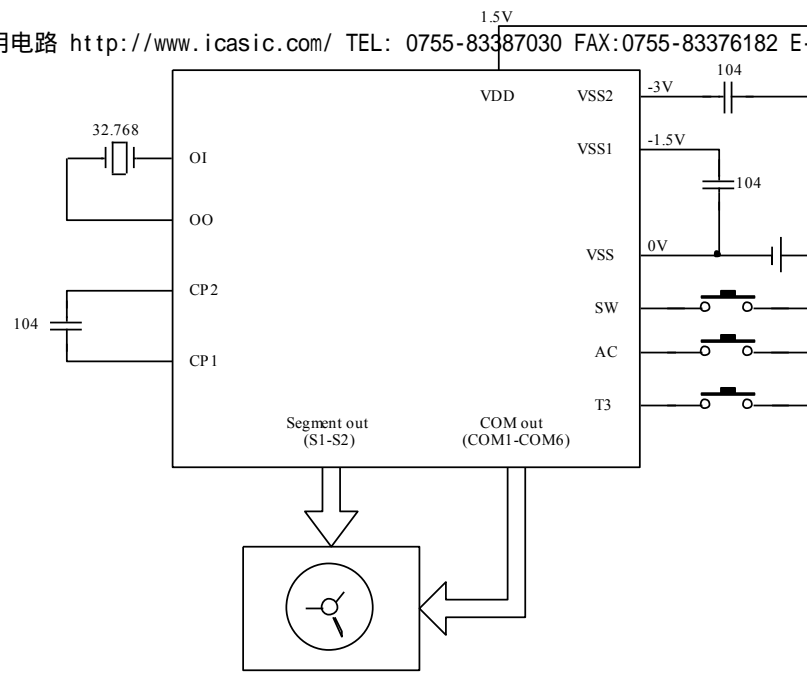
## ELECTRICAL CHARACTERISTICS

Characteristics	Sym	Min	Typ	Max	Unit	Remarks
Operat	$V_{SS2}$	-2.4	-3.0	-3.6	V	
Quiesc						
Oscill						
LCD f						
Time s						

## PAD



## APPLICATION CIRCUIT



Note:

- 1、SW 键整时间
- 2、AC 键复位（复位到 12 点）
- 3、AC 键加 T3 键全显功能

Title

Size

B

Date:

File:

Number

9-Apr-2005

E:\规划\Sixie\SC5113A.Ddb

Revision

Sheet of

Drawn By:

# LCD FORMAT

SUNSTAR单片机专用电路 <http://www.icasic.com/> TEL: 0755-83387030 FAX:0755-83376182 E-MAIL:szss20@163.com

## LCD SEGMENT

