

**6Digit LCD Alarm Watch With Blacklight 带EL控制的六位多功能表芯片****1 功能及应用特性描述: (FUNCTION & FEATURES)**

版本: 100123

- 6 digit chronograph: auto ranging after 30 minutes to hour ,minute,second,from minute,second,1/100 second 六位多功能电子表: 跑秒分段计时 (1/100) 满30分钟后, 转换成正常走时
- Hour,Minute,Second & Day normal display 显示时分、秒、星期、日、月
- use selectable 12/24 format & 4 year calendar 可选用12或24小时制4年日历
- Alarm function with 4 to 5 minute snooze 具有间隔4或5分钟再闹的功能
- Chime on every hour 整点发声报时
- One touch correction of time error within +30% seconds 按键一次即可校正30秒的时间误差
- Alarm output driven by build-in transistor 可接音乐芯片做音乐闹铃输出
- Direct drive of piezo buzzer 可直接驱动喇叭/蜂鸣片
- Oscillating build-in capacitor 振荡器内置电容
- Blacklight control output with 3 second EL 背光延时三秒, 常按不常亮

**2 适用范围:**

钟表、礼品、妆饰等.

**3 电特性: (ELECTRICAL CHARACTERISTICS)**

PARAMETER	SYMBOL	Condition	Min.	Type	Max.	Unit
Operating voltage 工作电压	VDD		1.2	1.5	1.8	V
Standby current 静态电流	IDD1	No Load			3	uA
Operating current 工作电流	IDD2	EL			10	mA
Switch activation current 按键电流	ISW				6	uA
Input/output voltage 输入/输出电压	VI,VO		VSS-0.3		VDD+0.3	V
Oscillation frequency 振荡频率	FOSC			32768	172	Hz
LCD frequency LCD频率	FICD			32		Hz
Osc.start-up voltage 振荡启动电压	VOSC			1.2		V
Alarm drive current 闹铃输出电流	IALA		5	10		mA

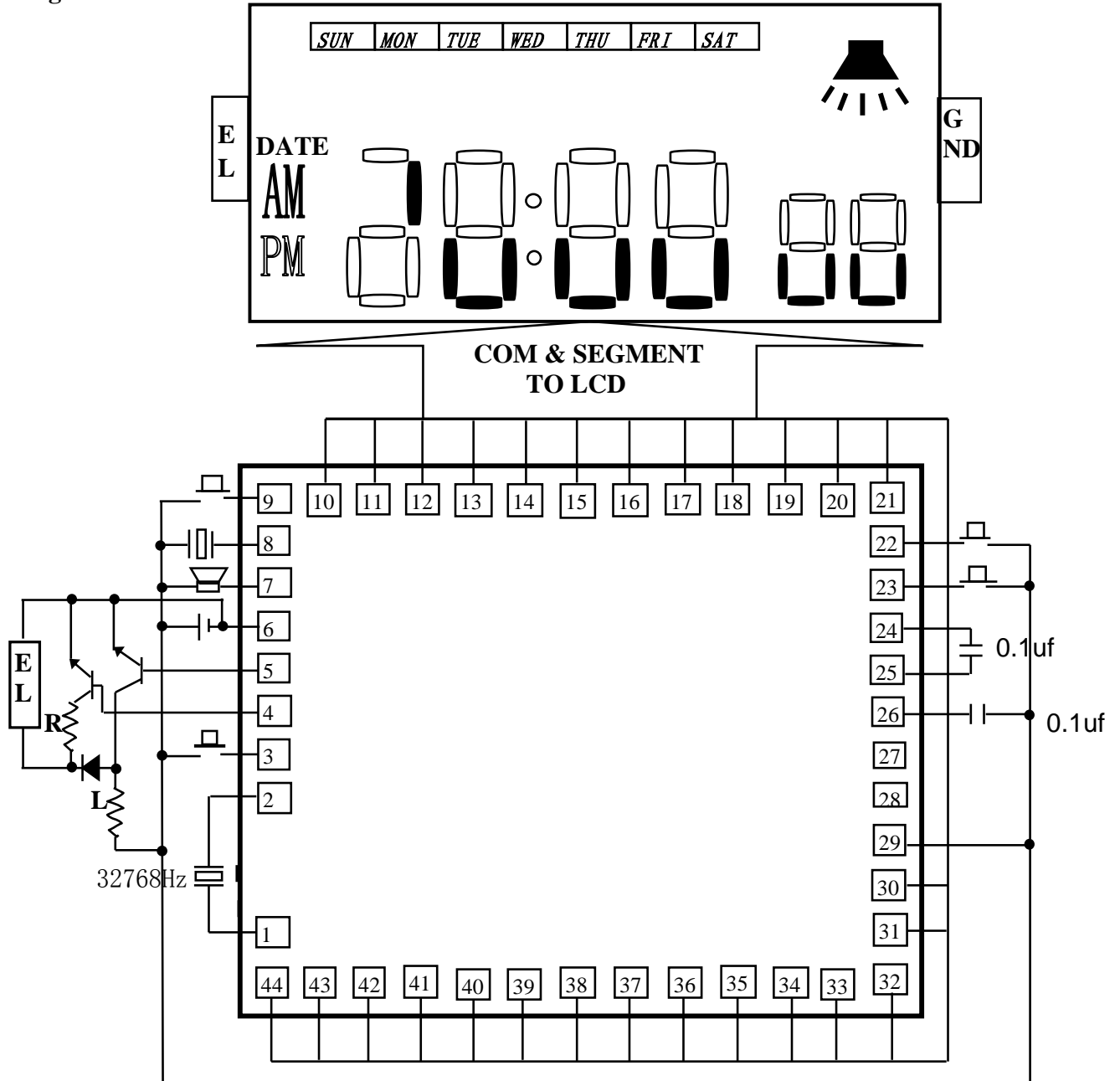
**4 应用电路:**

PAD	NAME	PAD	NAME	PAD	NAME	PAD	NAME
1	OSCI	12	A1/SU	23	S	34	G5/D5
2	OSCO	13	C1/B1	24	FIK	35	F5/E5
3	L	14	A2/MO	25	CAP	36	B4/C4
4	DIS	15	CL/TU	26	VEE	37	G4/D4
5	IND	16	A3/WE	27	AC	38	F4/E4
6	GND	17	A4/TH	28	T1	39	B3/C3
7	ALA	18	A5/FR	29	VDD	40	G3/D3
8	AL1	19	A6/SA	30	B6/C6	41	F3/E3
9	M	20	DM/AL	31	G6/D6	42	B2/C2
10	COM2	21	COM1	32	F6/E6	43	G2/D2
11	PM/AM	22	D	33	B5/C5	44	F2/E2

# 6Digit LCD Alarm Watch With Backlight 带EL控制的六位多功能表芯片

版本: 100123

6 digit LCD



注: THE IC SUBSTRATE SHOULD BE CONNECTED TO VDD (IC衬底接正极)

\* 以上电路仅供参考, 如有修改, 恕不另行通知!