

6LED 闪灯 IC

FEATURES 功能叙述

ON/OFF: ON/OFF toggle.Default on.

(1)DL6628-10 1.0Hz (2)DL6628-15 1.5Hz (3)DL6628-24 2.4Hz (4)DL6628-30 3.0Hz(5)DL6628-68 6.8Hz

如用 ON/OFF 功能上电长闪, 按 ON/OFF 键后停止工作。

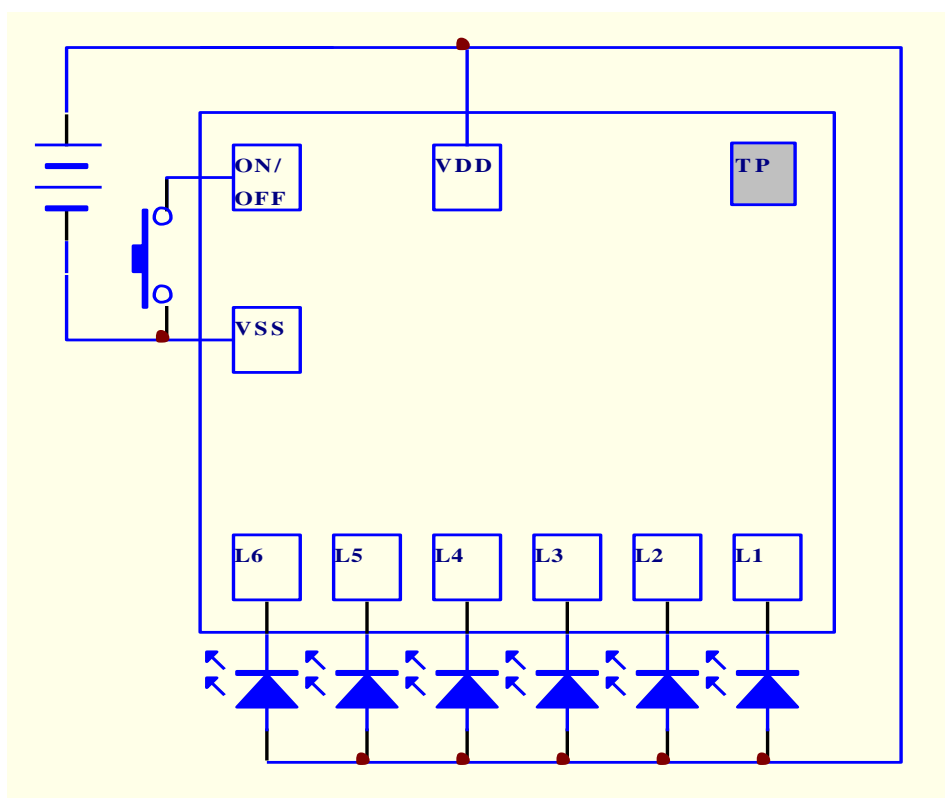
APPLICATION 产品应用

Arcade game system , Toys

ELECTRICAL CHARACTERISTICS 电气规格 (@VDD=3V unless otherwise specified)

Characteristic	Sym	Min	Typ	Max	Unit	REMARKS
工作电压 Operating Voltage	Vdd	-	3	4.5	V	
工作电流 Operating Current	Lop	-	0.1	0.35	mA	WITHOUT LOAD
静态电流 Quiescent Current	Isb	-	0.5	4.5	uA	
推动电流 Driving Current	Iol		35	-	mA	Vds=1V
震荡频率 Oscillator Frequency	Fosc				kHz	±30%
工作温度 Operating Temperature	Temp	-5	25	60	°C	

APPLICATION DIAGRAM 参考电路



※ 芯片衬底请接 VDD

The IC substrate should be connected to VDD