



- **Three Mode Trigger IC :**

- Key Stand-alone Trigger Mode :

- A. Edge/Level
- B. Hold/Unhold
- C. Retrigger/Irretrigger

- Serial Trigger Mode :

Combinations of TG1 and TG2 to trigger maximum 63 Voice Group.

- CPU Command Mode :

User command through TG1,TG2,TG3 & TG4 with serial CPU Interface to control the Multi-Playback function.

- **Output status** (for each Output pin):

- A. Stand by Status. (High/Low Status)
- B. Busy Low Active.
- C. Busy High Active.
- D. LED Flash at 6 Hz.
- E. LED Flash at 3 Hz.
- F. LED Flash at 1.5 Hz.
- G. LED Flash at 0.75 Hz.

**H. PWM for LED Dimming Control.**

- **Play rate level :**

SDL3310 can provide different play rate in one code as follow below  
Reference Sample Rate.

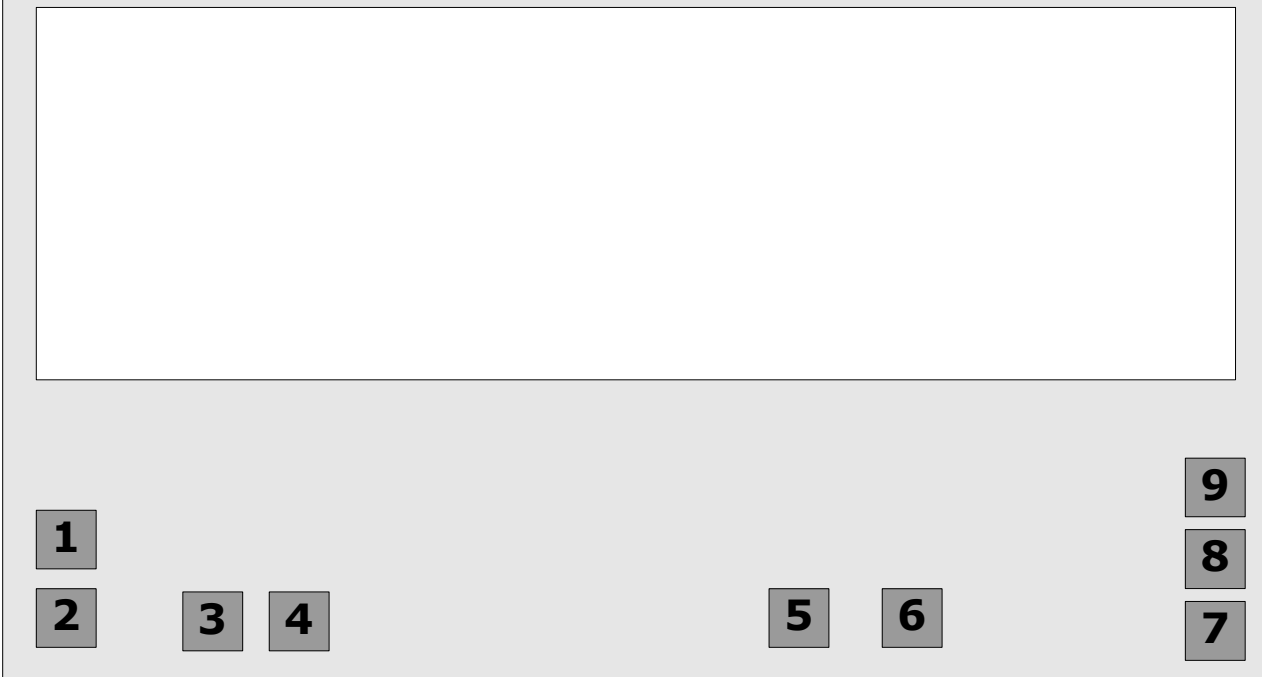
3K, 3.2K, 3.31K, 3.42K, 3.55K, 3.69K, 3.84K, 4K, 4.17K, 4.36K, 4.57K,  
4.8K, 5.05K, 5.33K, 5.64K, 6K, 6.4K, 6.85K, 7.38K, 8K, 8.72K, 9.6K,  
10.66K, 12K, 13.71K, 16K, 19.2K, 24K.

- **TG2 Low Reset**

- **TG3 Volume Control**

## ◆ Pad Location

**CHIP SIZE:** (0, 0) (1734,715) UM



NO.	PAD NAME	X	Y	NO.	PAD NAME	X	Y
1	TG2/RSTB	-777	-184	6	VSS	440	-266
2	TG1	-777	-270	7	PWM1	793	-288
3	TG3	-605	-267	8	VDD	796	-204
4	TG4	-520	-267	9	PWM2/DAC	793	-119
5	VSS	256	-271				

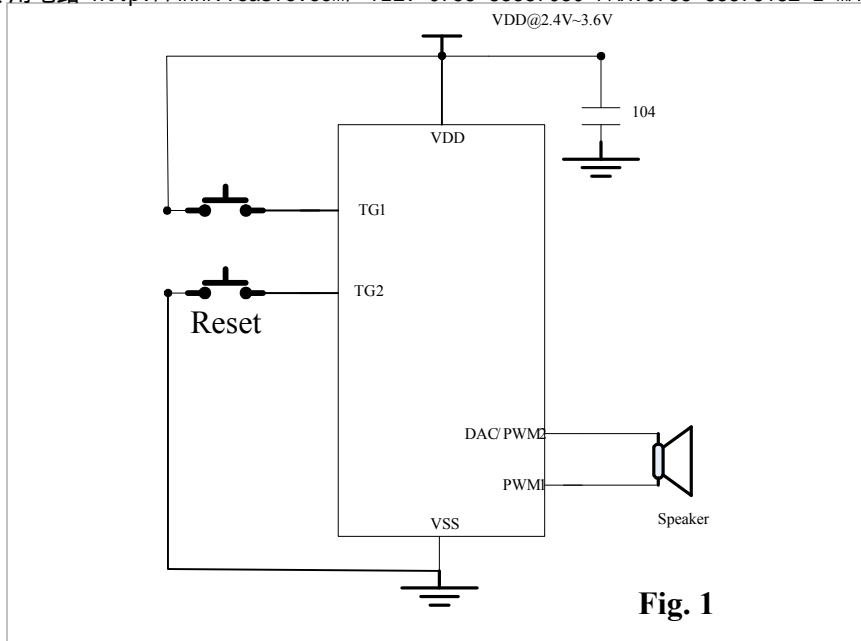
## ◆ PIN Descriptions

PIN NAME	I/O	Function
TG1	INPUT	Key Stand-alone Trigger Mode : TG1 is used to trigger the maximum 32 Voice

SUNSTAR单片机专用电路		Group one by one sequentially.
		Serial Trigger Mode : TG1 is used to trigger the maximum 63 Voice Group.
		CPU Command Mode : TG1 is used as Data Input Pin (CS).
	OUTPUT	As Output PIN , Output the BUSY or Flash Signal ./By Code Control
TG2/RSTB	INPUT	Key Stand-alone Trigger Mode : TG2 is used to trigger the maximum 21 Voice Group one by one sequentially.
		Serial Trigger Mode : TG2 is used to trigger the maximum 29 Voice Group
		CPU Command Mode : TG2 is used as Clock Pin (CLK).
TG3	INPUT	Key Stand-alone Trigger Mode : TG11 is used trigger Only One Group.
		CPU Command Mode : TG11 is used as Data Input Pin (DIO1).
	OUTPUT	As Output PIN , Output the BUSY or Flash Signal ./By Code Control
TG4	INPUT	Key Stand-alone Trigger Mode : TG4 is used trigger Only One Group.
		CPU Command Mode . TG4 is used as Selected Pin (DIO2).
	OUTPUT	As Output PIN , Output the BUSY or Flash Signal./By Code Control
PWM1	OUTPUT	As a PWM PIN , can Directly drive the Speaker .
PWM2	OUTPUT	As a PWM PIN , can Directly drive the Speaker .
		As a DAC PIN , 8 bit D/A Current Output.
VDD	INPUT	Power Supply PIN , @ 2.4~3.6 V Working Voltage.
VSS	INPUT	Connected to Ground.

# ◆ TG2 Low Reset

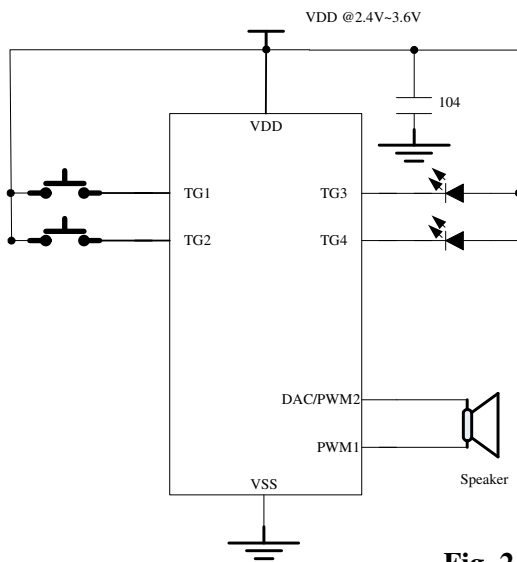
SUNSTAR单片机专用电路 <http://www.icasic.com/> TEL: 0755-83387030 FAX:0755-83376182 E-MAIL:szss20@163.com



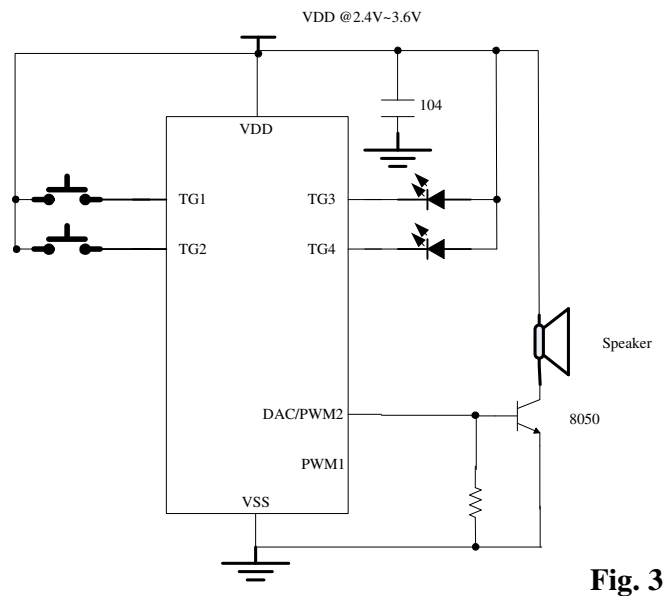
# ◆ Application Circuit

## 3V Stand-alone Mode

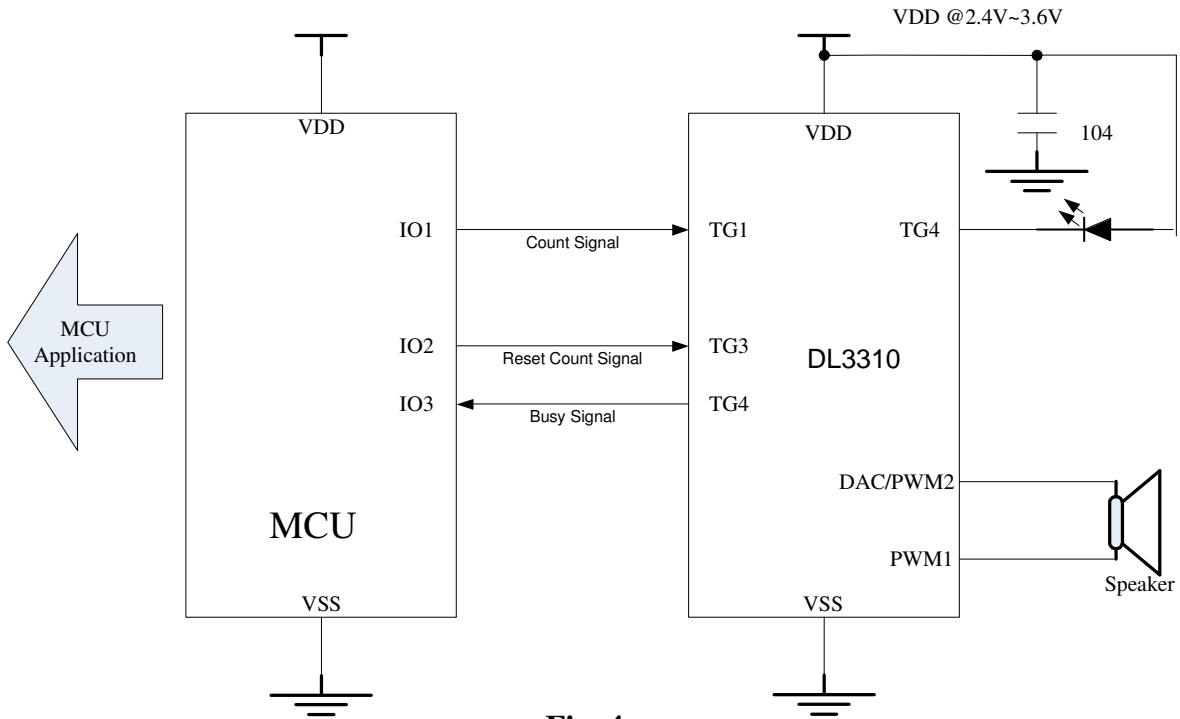
*PWM*



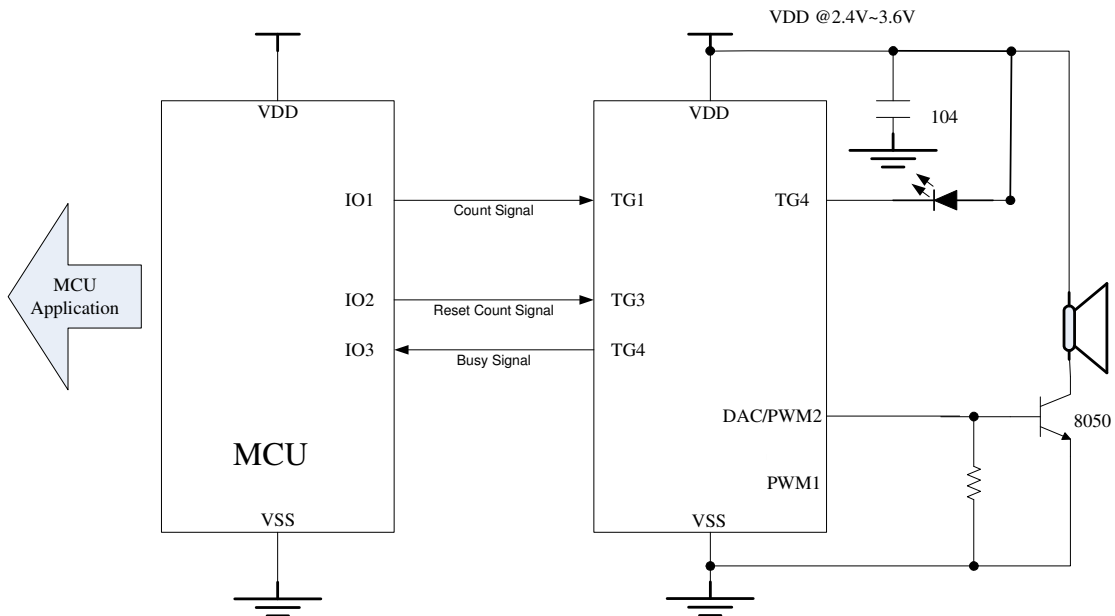
*DAC*



### 3V Serial Mode



**Fig. 4**



**Fig. 5**

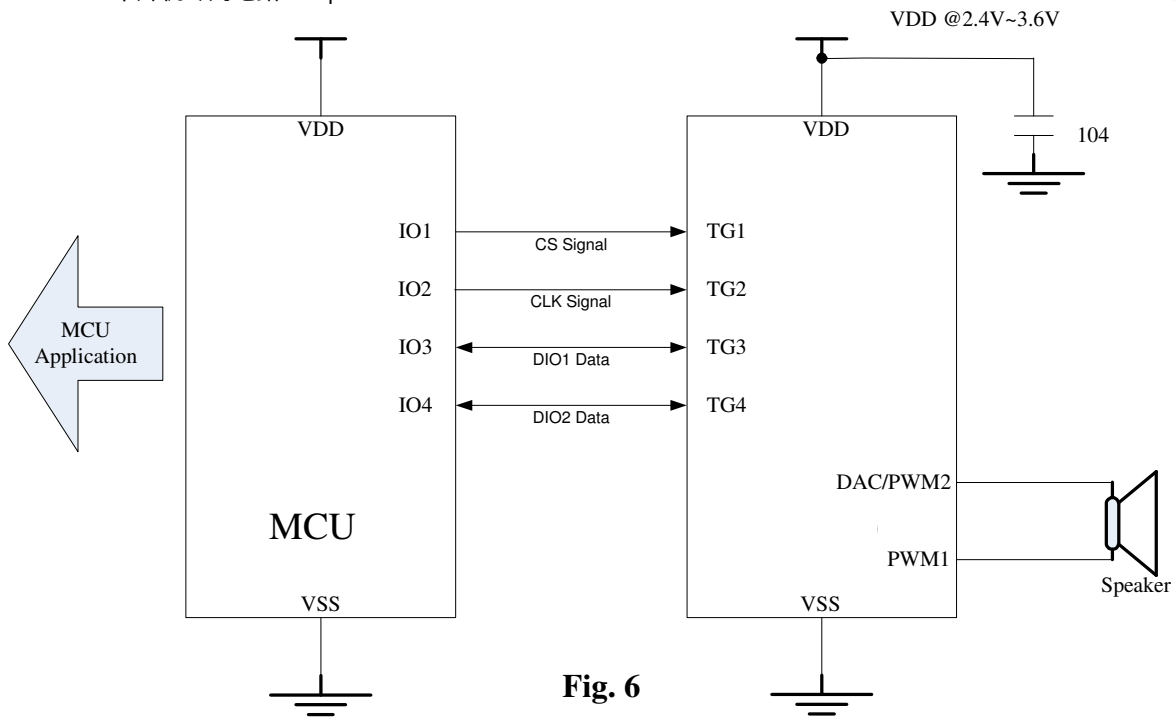


Fig. 6

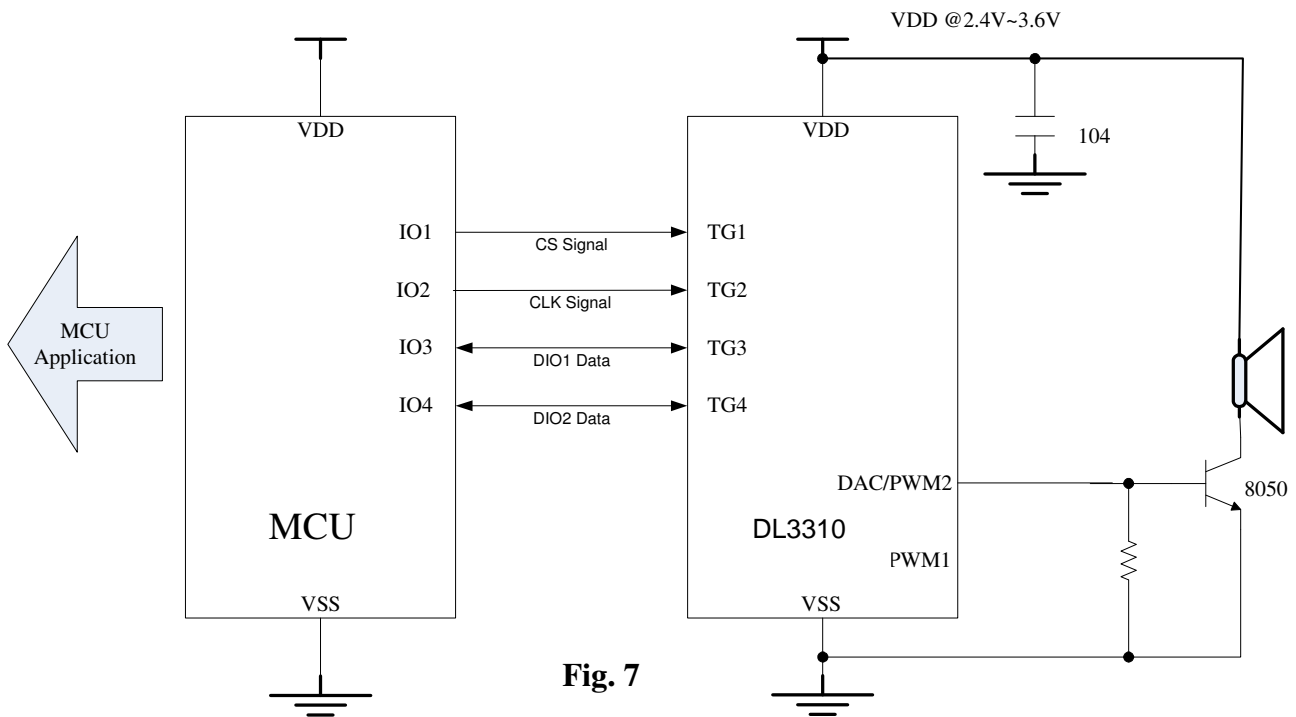


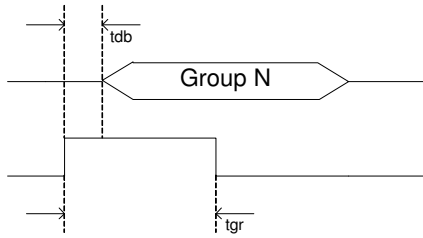
Fig. 7

# ◆ Trigger Timing

SUNSTAR单片机专用电路 <http://www.icasic.com/> TEL: 0755-83387030 FAX:0755-83376182 E-MAIL:szss20@163.com

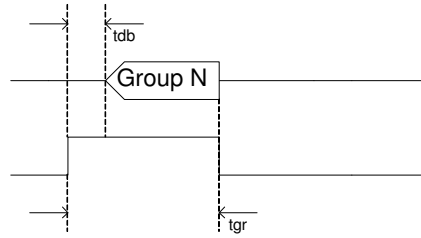
(a) Trigger Pulse Width < Group Length

Option Setting = Edge / Unhold



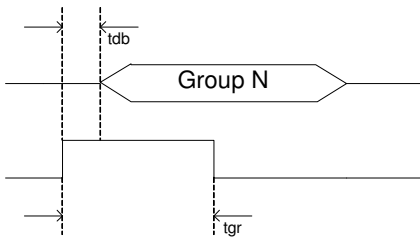
(b) Trigger Pulse Width < Group Length

Option Setting = Edge / Hold



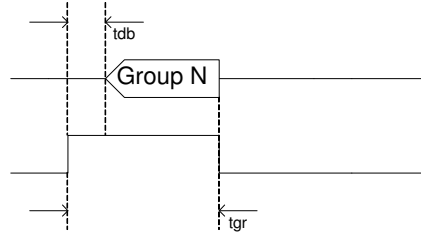
(c) Trigger Pulse Width < Group Length

Option Setting = Level / Unhold



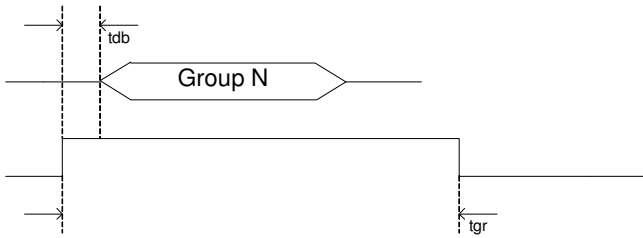
(d) Trigger Pulse Width < Group Length

Option Setting = Level / Hold



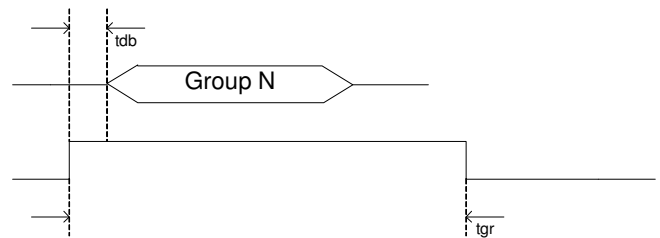
(e) Trigger Pulse Width > Group Length

Option Setting = Edge / Unhold



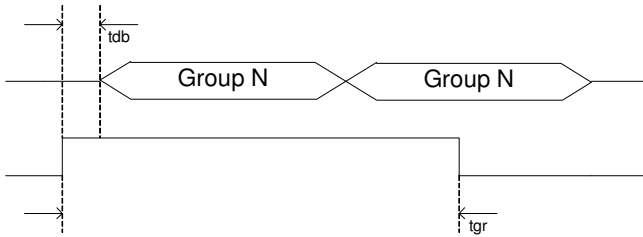
(f) Trigger Pulse Width > Group Length

Option Setting = Edge / Hold



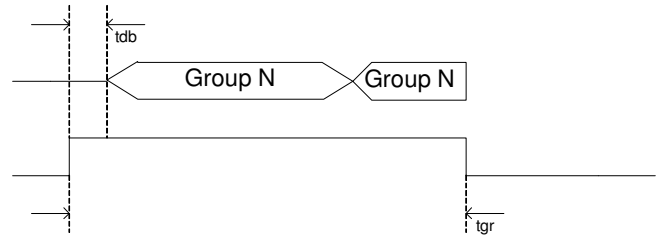
(g) Trigger Pulse Width > Group Length

Option Setting = Level / Unhold



(h) Trigger Pulse Width > Group Length

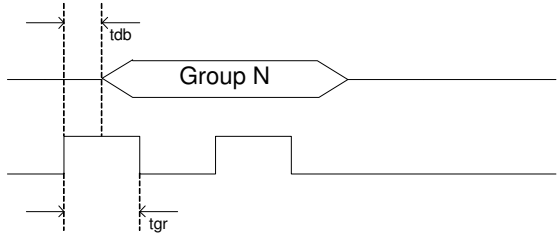
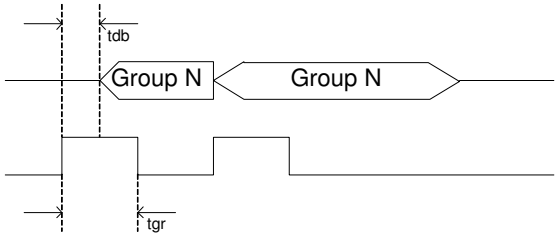
Option Setting = Level / Hold



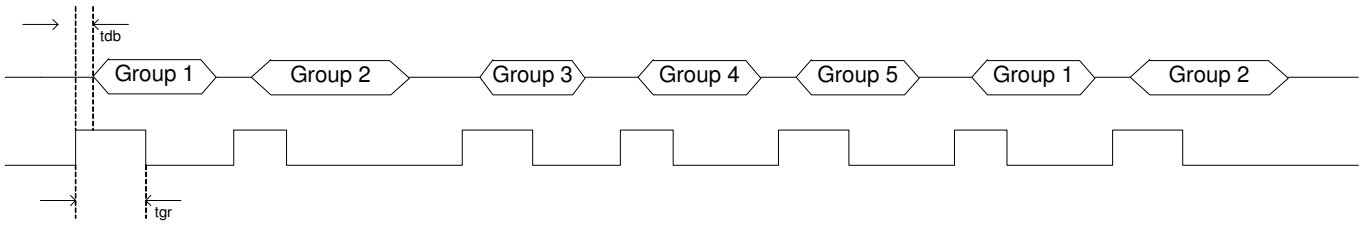


(i) Option Setting = Retrigger

(j) Option Setting = Irretrigger



(k) TG1 = Sequential Trigger & From Group1~Group5



# ◆ Trigger Voice Combination Example

SUNSTAR单片机专用电路 <http://www.icasic.com/> TEL: 0755-83387030 FAX:0755-83376182 E-MAIL:szss20@163.com

Voice File	Description
Voice File A	Hello ( 1.5'')
Voice File B	Good Morning (3'')
Voice File C	John (1'')
Voice File D	Tom (1'')
Voice File E	Mary (1.5'')

Group1 = Step1 + Step 2

Group 2 = Step3 + Step 4 + Step 5

Group 3 = Step 6 + Step 7

Group1 = Hello John

Group 2= Hello Tom Good Morning

Group 3 = Good Morning Mary

Step1 = Voice File A

Step 2 = Voice File C

Step 3 = Voice File A

Step 4 = Voice File D

Step 5 = Voice File B

Step 6 = Voice File B

Step 7 = Voice File E

Total use 3 Group , 7 Steps

Voice duration= Hello + Good Morning + John + Tom + Mary

$$= 1.5'' + 3'' + 1'' + 1'' + 1.5''$$

$$= 8''$$

Total duration = 8'' ( 20''-8'' = 32'' space are free , can add more Voice File )

# Serial Mode Timing

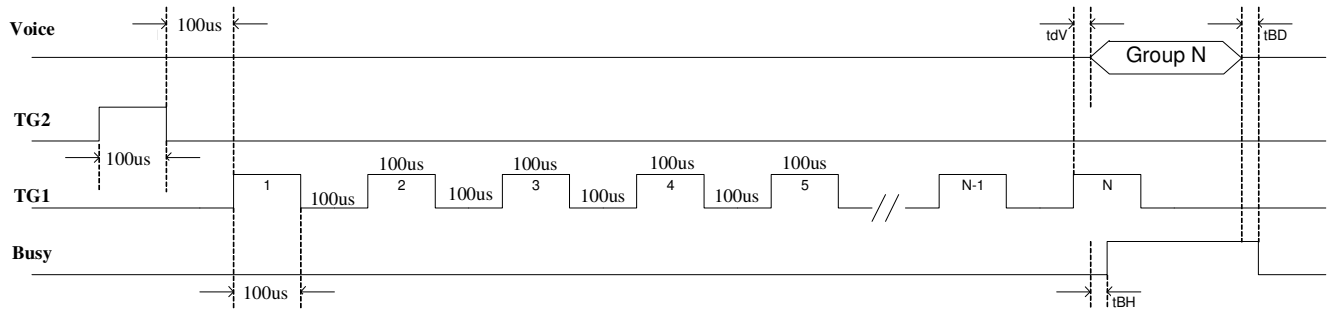
SUNSTAR单片机专用电路 <http://www.icasic.com/> TEL: 0755-83387030 FAX:0755-83376182 E-MAIL:szss20@163.com

TG1=Edge/Unhold/Retrigger

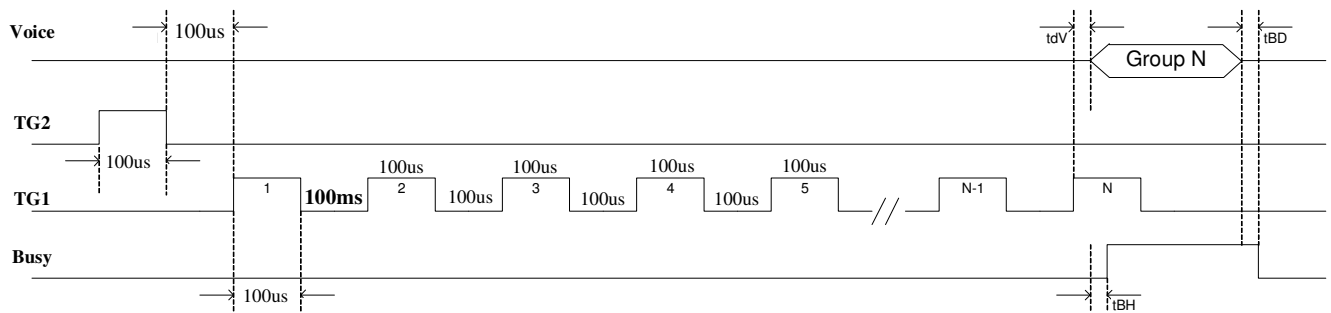
TG3=Reset PIN

※Tool : Controller Trigger

## PWM

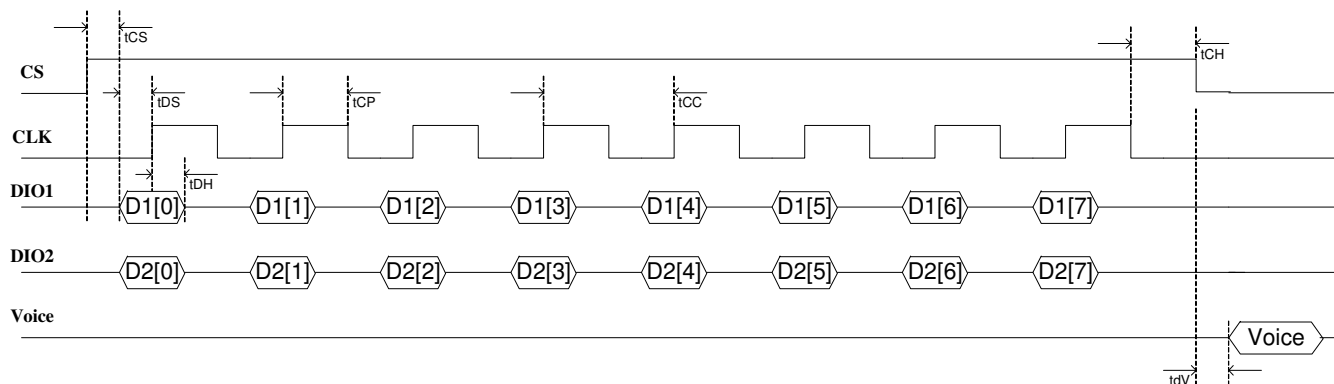


## DAC



# ◆ CPU Mode Timing

SUNSTAR单片机专用电路 <http://www.icasic.com/> TEL: 0755-83387030 FAX:0755-83376182 E-MAIL:szss20@163.com

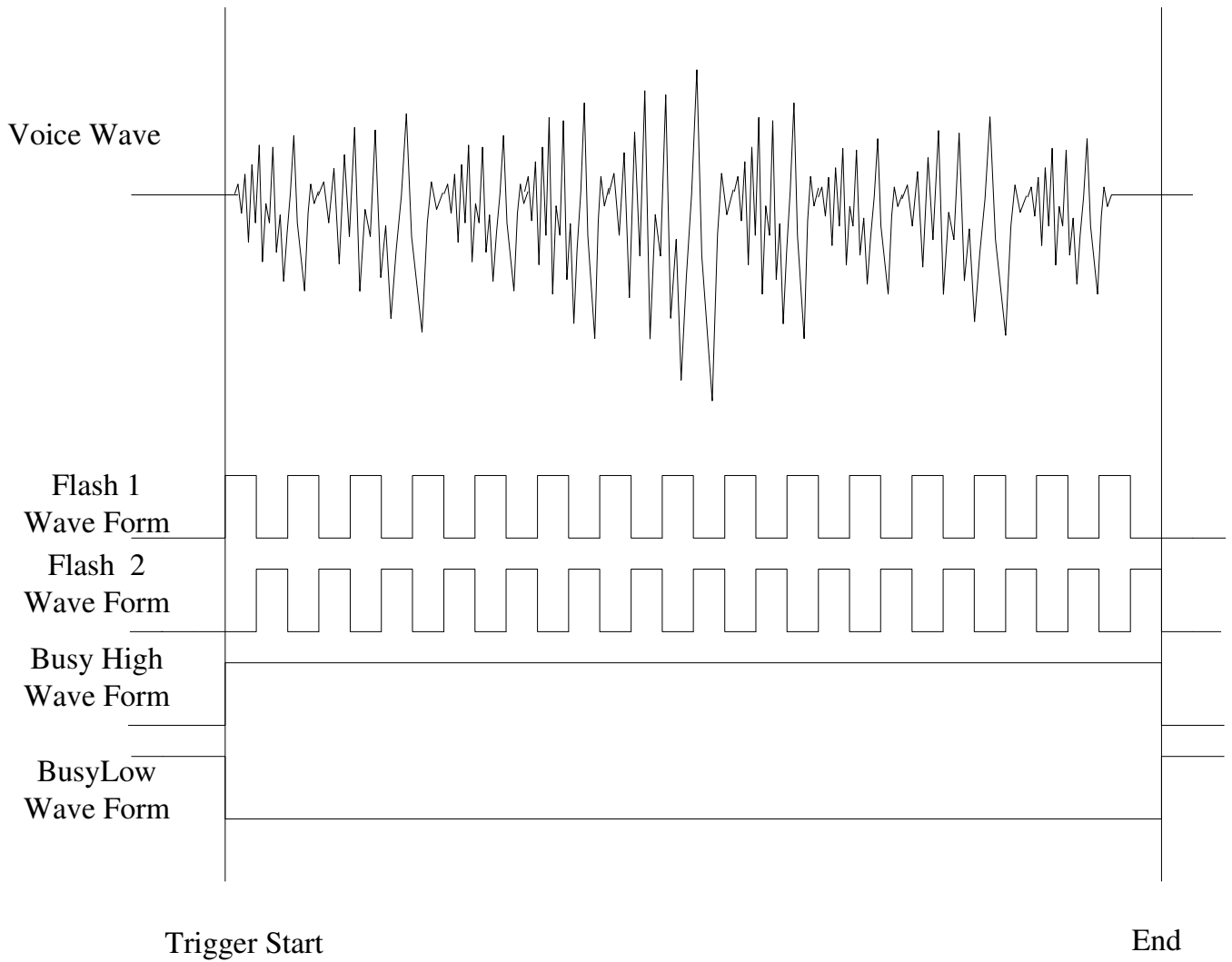


Command	PIN	HEX	[7]	[6]	[5]	[4]	[3]	[2]	[1]	[0]	Description
START	DIO1	A5h	1	0	1	0	0	1	0	1	Wake up the chip
	DIO2	05h	0	0	0	0	0	1	0	1	
END	DIO1	81h	1	0	0	0	0	0	0	1	Power down the chip into standby status
	DIO2	05h	0	0	0	0	0	1	0	1	
RESET	DIO1	83h	1	0	0	0	0	0	1	1	Stop the Playback and wait a new command
	DIO2	02h	0	0	0	0	0	0	1	1	
PAUSE	DIO1	83h	1	0	0	0	0	1	0	1	Pause the Playback and hold at the Voice data
	DIO2	07h	0	0	0	0	0	1	1	1	
RESUME	DIO1	05h	0	0	0	0	0	1	0	1	Resume Playback from the previous Voice data
	DIO2	07h	0	0	0	0	0	1	1	1	

**Play** Address Command is generated by the Tool.

# ◆ Voice Wave & Output Status

SUNSTAR单片机专用电路 <http://www.icasic.com/> TEL: 0755-83387030 FAX:0755-83376182 E-MAIL:szss20@163.com



# ◆ DC Electrical Characteristics

SUNSTAR单片机专用电路 <http://www.icasic.com/> TEL: 0755-83387030 FAX:0755-83376182 E-MAIL:szss20@163.com

Item	Symbol	Min	Typ	Max	Unit	Condition
Operating voltage	VDD	2.4	<b>3.0</b>	3.6	V	
Standby current	I <sub>sb</sub>		<b>1</b>	5	uA	VDD=3V,no load
Operating current	I <sub>op</sub>		<b>600</b>		uA	VDD=3V,no load
Drive current of Output	I <sub>od</sub>		<b>10</b>		mA	VDD=3V VOUT=0.6V
Sink current of Output	I <sub>os</sub>		<b>30</b>		mA	VDD=3V VOUT=2.4V
Drive current of PWM	I <sub>od</sub>		<b>200</b>		mA	VDD=3V,VOUT=1.5V
Sink current of PWM	I <sub>os</sub>		<b>200</b>		mA	VDD=3V,VOUT=1.5V

# ◆ AC Electrical Characteristics

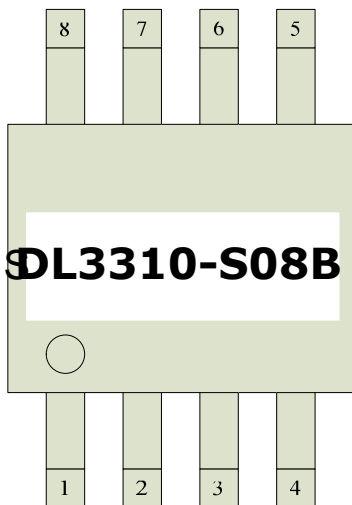
SUNSTAR单片机专用电路 <http://www.icasic.com/> TEL: 0755-83387030 FAX:0755-83376182 E-MAIL:szss20@163.com

Symbol	Characteristic	Rating			Unit
		Min.	Typ.	Max.	
tdb	Key Trigger debounce time (long)	14			ms
tdb	Key Trigger debounce time (short)	50			us
tBH	Busy signal output hold time	200			us
tBD	Busy signal output delay time	200			us
tdV	Voice output delay time	200			us
tCS	Chip Select setup time	1			us
tDS	Data In setup time	1			us
tDH	Data In hold time	1			us
tCP	Clock Pulse Width	1			us
tCC	Clock Cycle time	2			us
tCH	Chip Select hold time	1			us

# ◆ Package Information

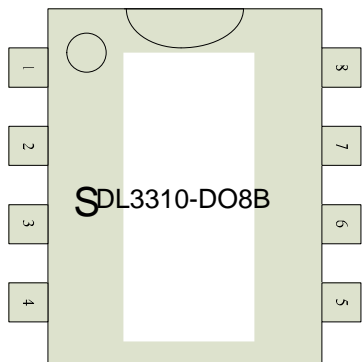
SUNSTAR单片机专用电路 <http://www.icasic.com/> TEL: 0755-83387030 FAX:0755-83376182 E-MAIL:szss20@163.com

## SDL3310-S08B



PIN	NAME
1	TG2/RSTB
2	TG1
3	TG3
4	TG4
5	VSS
6	PWM1
7	VDD
8	PWM2/DAC

## SDL3310-D08B



PIN	NAME
1	TG2/RSTB
2	TG1
3	TG3
4	TG4
5	VSS
6	PWM1
7	VDD
8	PWM2/DAC



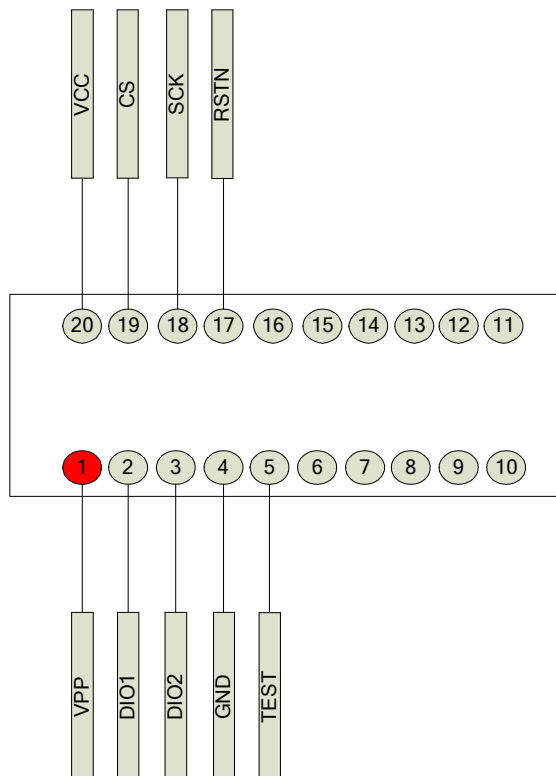
# ◆ Writer Mapping Description

SUNSTAR单片机专用电路 <http://www.icasic.com/> TEL: 0755-83387030 FAX:0755-83376182 E-MAIL:szss20@163.com

**Writer Pin : TG2,TG1,TG3,TG4,PWM1,VDD,VSS**

OTP Writer Power Board Pin Mapping Table				
DIP 20	DIP 48	PAD Name	TG005-SO8B	TG005-D08B
1 – VPP	37 – VPP	1-TG2/RSTB	1-TG2/RSTB	1-TG2/RSTB
2 – DIO1	38 – DIO1	3-TG3	3-TG3	3-TG3
3 – DIO2	39 – DIO2	4-TG4	4-TG4	4-TG4
4 – GND	11 – GND	5,6-VSS	5-VSS	5-VSS
5 - TEST	x	x	x	x
17 – RSTN	10 – RSTN	x	x	x
18 – CLK	12 – CLK	7-PWM1	6-PWM1	6-PWM1
19 – CS	13 – CS	2-TG1	2-TG1	2-TG1
20 – VCC	14 – VCC	8-VDD	7-VDD	7-VDD

## ◆ Writer Board Slot Location (DIP20)



## Features

- Built in oscillator.
- Cycle duration about 16-20 seconds.
- Auto power off.

## General Description

This chip is a new type of CMOS sound generator designed with sound composite system using minimum application circuit. It is dedicated to the applications such as rhythm box, toys, etc. and is easy for you to design your consumer products.

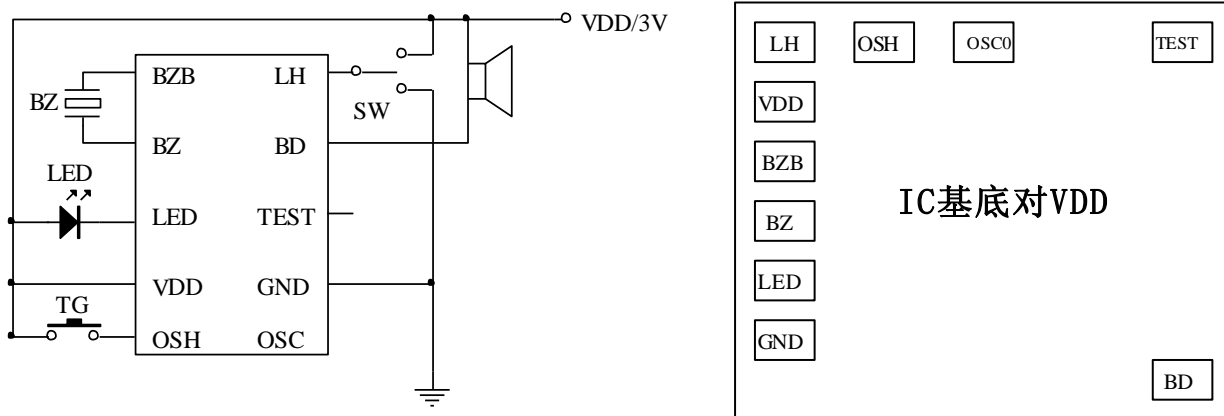
## Absolute Maximum Ratings

RATING	VALUE
DC Supply Voltage	<6.5V
Input/output Voltage	GND-0.3V to VDD+0.3V
Operating Temperature	-10°C to 60 °C
Storage Temperature	-25°C to 125°C

## Electrical Characteristics

Characteristics	Sym	Min	Typ	Max	Unit	Remark
Operating Voltage	VDD	--	3	3.5	V	
Quiescent current	Istb	--	1	5	uA	
BZ Driving current	Idrv	1	--	--	mA	@ VDS =1V
LED Sink Current	ILED	10	--	--	mA	@ VDS=1.2V
Oscillator Frequency	Fosc	--	100	--	KHz	±30%TOL

## Application Circuit



- 备注: DL3310A (1) OSH 对 VDD 触发;  
 (2) LH 对 VDD, 为 Level Hold;  
 (3) LH 对 GND, 为 One Shot;  
 DL3310B (1) OSH 对 GND 触发;  
 (2) LH 对 VDD, 为 One Shot;  
 (3) LH 对 GND, 为 Level Hold。

# Ghost Sound

## Features :

Built in oscillator.

Cycle duration about 16 ~ 20 sec .

Auto power off .

## General Description :

DL3310\_B is a new type of CMOS sound generator designed with sound composite system using minimum application circuit .It is dedicated to the applications such as rhythm box, toys, ect.. and is easy for you to design your consumer products.

## Absolute Maximum Ratings :

RATING	VALUE
DC Supply Voltage	<6.5V
Input/output Voltage	GND-0.3V to VDD+0.3V
Operating Temperature	-10°C to 60 °C
Storage Temperature	-25°C to 125°C

## Electrical Characteristics

Characteristics	Sym	Min	Typ	Max	Unit	Remark
Operating Voltage	V <sub>DD</sub>	—	3	3.5	V	
Quiescent I <sub>DD</sub>	I <sub>DD</sub>	—	1	5	uA	
BZ Driving I <sub>DD</sub>	I <sub>o</sub>	1	—	—	mA	@V <sub>DS</sub> =1V
LED Sink Current	I <sub>LED</sub>	10	—	—	mA	@V <sub>DS</sub> =1.2V
Oscillator Frequency	F <sub>osc</sub>	—	100	—	KHz	30%TOL

## Application Circuit :

