

## Description

The contains 6 independent driver outputs with an ON resistance of typ.  $30\ \Omega$  for the P-channel output transistors and typ.  $30\ \Omega$  for the N-channel output transistors; at a supply voltage of 1.5V. If a higher driving capability is needed, all inputs and outputs may be connected in parallel. In this case the rise/-fall time of the input signals IN1...IN6 must be less than 200 ns...

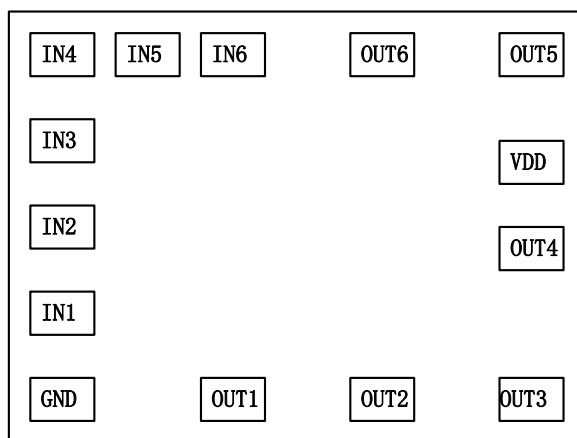
## Features

- 1.1 ~3.6V operating voltage range
- 6non-inverting, drivers for the following applications.
  - Motor driver for bipolar stepper motors in watch/-clock applications.
  - Driver for piezoelectric transducers (buzzer).
  - Line driver for medium speed applications.

## Advantages

- High load current at low supply voltage
- Replaces several discrete transistors
  - Motor driver
  - Radio controlled clock/watch
  - Line driver for mini-computer, laptop
  - LED driver
  - Relay driver

## PAD configuration



衬底接正

**8760****六路驱动放大器****Absolute Maximum Ratings**

Supply voltage Vdd - Vss.....0 to 5V  
 Input voltage Vin.....Vss to Vdd  
 Operating temperature Top .....-10°C to 60°C  
 Storing temperature Tst .....-40°C to 70°C

**Comments**

Stress above those listed under “ Absolute Maximum Ratings” may cause permanent damage to the device. These are stress rating only. Functional operation of this device at these or any other conditions above those indicated in the operational sections of this specification is not implied and exposure to absolute maximum rating conditions for extended periods may affect device reliability.

**D.C. Electrical Characteristics**

(GND = 0V, Vdd = 3.0V, Ta = 25°C unless otherwise specified)

Parameter	Symbol	Min.	Typ.	Max.	Unit	Conditions
Supply Voltage	Vdd	1.1	-	3.6	V	
Standby current	Idd	-	-	1	μA	No load All input to GND
<b>INPUT</b>						
Input Voltage High	ViH	VDD -0.4	-	VDD +0.4	V	
Input Voltage Low	ViL	-0.4	-	+0.4	V	
<b>OUTPUT</b>						
Output resistance	Rout	-	30	45	ohm	Vdd=1.5V