

**TT7466A THERMOMETER SPECIFICATION**

- <1> **Power SW:** Push switch can turn on or turn off the thermometer.
- <2> At Power On:
- A. LCD display 188.88°M (or 188.88°F) 2 sec at first.
 - B. Following A: If push switch more than 2 sec, LCD will display the stable-temperature of last measured until release switch and memory mark "M" also display.
 - C. Following B: Display **36.50** (or **97.70**) 1 sec, if sensor circuit is detected abnormal status, LCD will only display "Err",
 - D. When measuring, the mark (or) flash by 1Hz until temperature is stabilization.
 - E. After push switch or memory display finish, there are 8 sec to be ignore for counter of stable-temperature time.
 - F. If measuring temperature < 32.00 (89.60), LCD display **Lo** ().
 - G. If measuring temperature 43.00 (109.40), LCD display **Hi** ().
 - H. When measuring, the LCD will always display the highest temperature.
 - I. If the measuring temperature is no changed more than **16 sec** (or **8 sec**), it means stable-temperature is over and () mark flash stop. The time 16 sec or 8 sec is selected by **Pad option (Default time is 16 sec)**.
 - J. Two stable-temperature time **16 sec**(or **8sec**) and **4 sec**(or **8 sec**) are selected by **Metal option**.
 - K. When measuring over and **fever alarm enable**, if temperature 37.50 (99.50), Then Buzzer alarm "Bi-Bi-Bi--- Bi-Bi-Bi---" about **4 sec** as below:
Bi Bi Bi
0.0625S/0.0625S/0.0625S/0.0625S/0.0625S/0.1875S (period cycle=0.5S)
If temperature < 37.50 (99.50), or **fever alarm disable**, then Buzzer also alarm "Bi-" about **4 sec** as below:
Bi
0.5S/ 0.5S
 - L. Fever alarm is selected by **Pad option (Default: fever alarm enable)**.
 - M. It will **auto power off** when the first measurement is over than **10 minutes**. The 10 minutes is constant, it is not recount by the temperature raising again.
 - N. When measurement is over within 10 minutes, if temperature rises again the () mark no blink and remeasure the temperature. But the buzzer will not alarm again when measurement is over and 10 minutes is not recount.
- <3> After(2-B), If detect **Low-voltage ($1.35 \pm 0.05\text{V}$)**, LCD only display battery mark



"**■**", means thermometer must be changed battery.

- <4> When sensor circuit is open or short, LCD only display "Err" until sensor circuit recorver normal.
- <5> When push switch, the Buzzer will alarm "Bi" about 0.078 sec.
- <6> The **Stand-By current** 0.5 uA at power off status.
- <7> The **frequency of Buzzer** is 5.3KHz.
- <8> When LCD display "Lo",if temperature rise and stable-temperature time will count again with following item (I) description.
- <9> Test2 Pin connect to Vss, LCD display is real-time temperature, not the highest temperature in order to adjust Reference Resistor.
- <10> or be selected by Pad option (Default is).
- <11> LCD display which is one number after point or two numbers after point is selected by Pad option (Default is two numbers after point LCD display).
- <12> Thermometer others character is below:

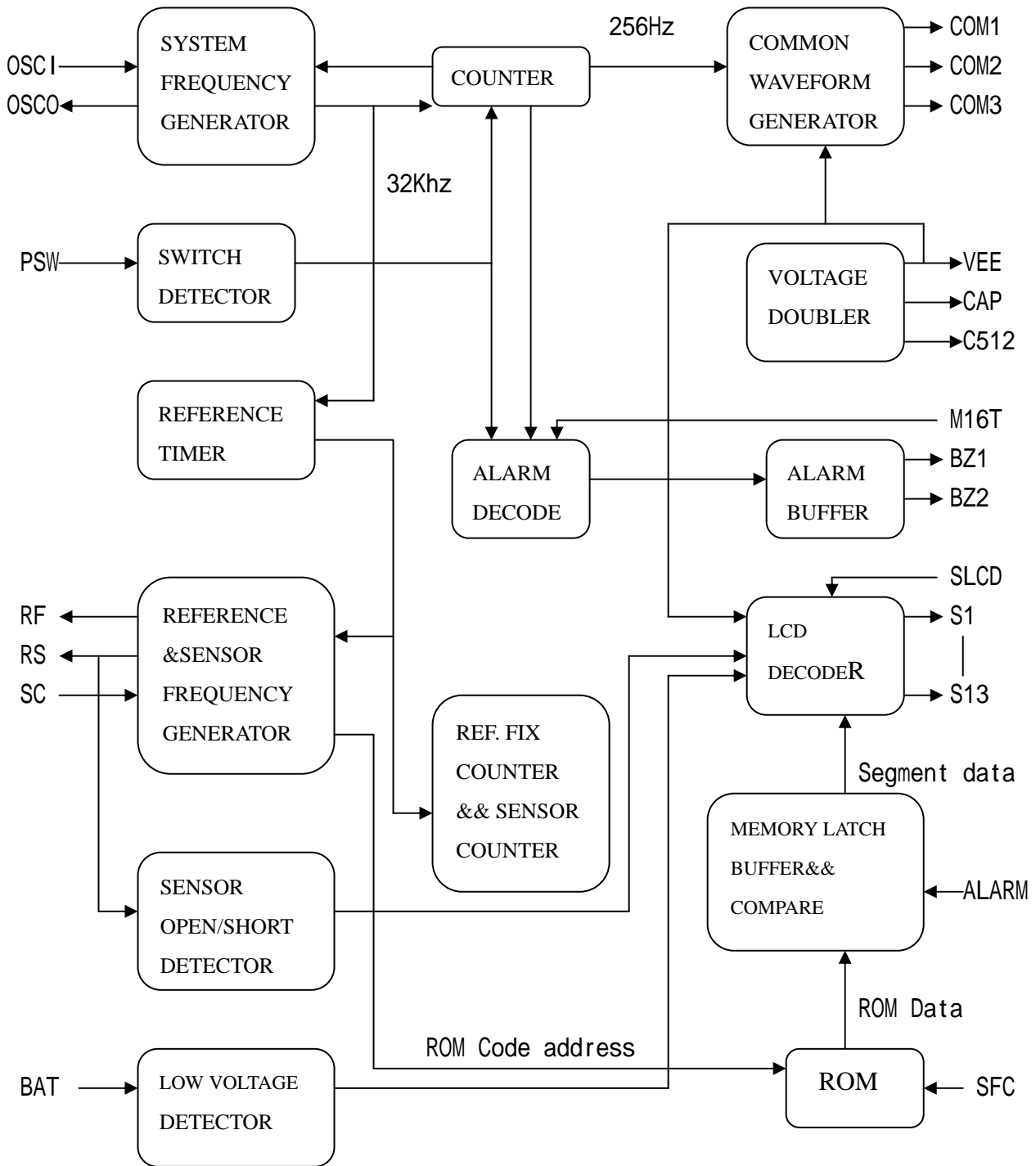
Temperature range	32.00	43.00	89.60	109.40
Accuracy	± 0.1		± 0.2 .	
Resolution	0.01		0.01	

- <13> Pad option table

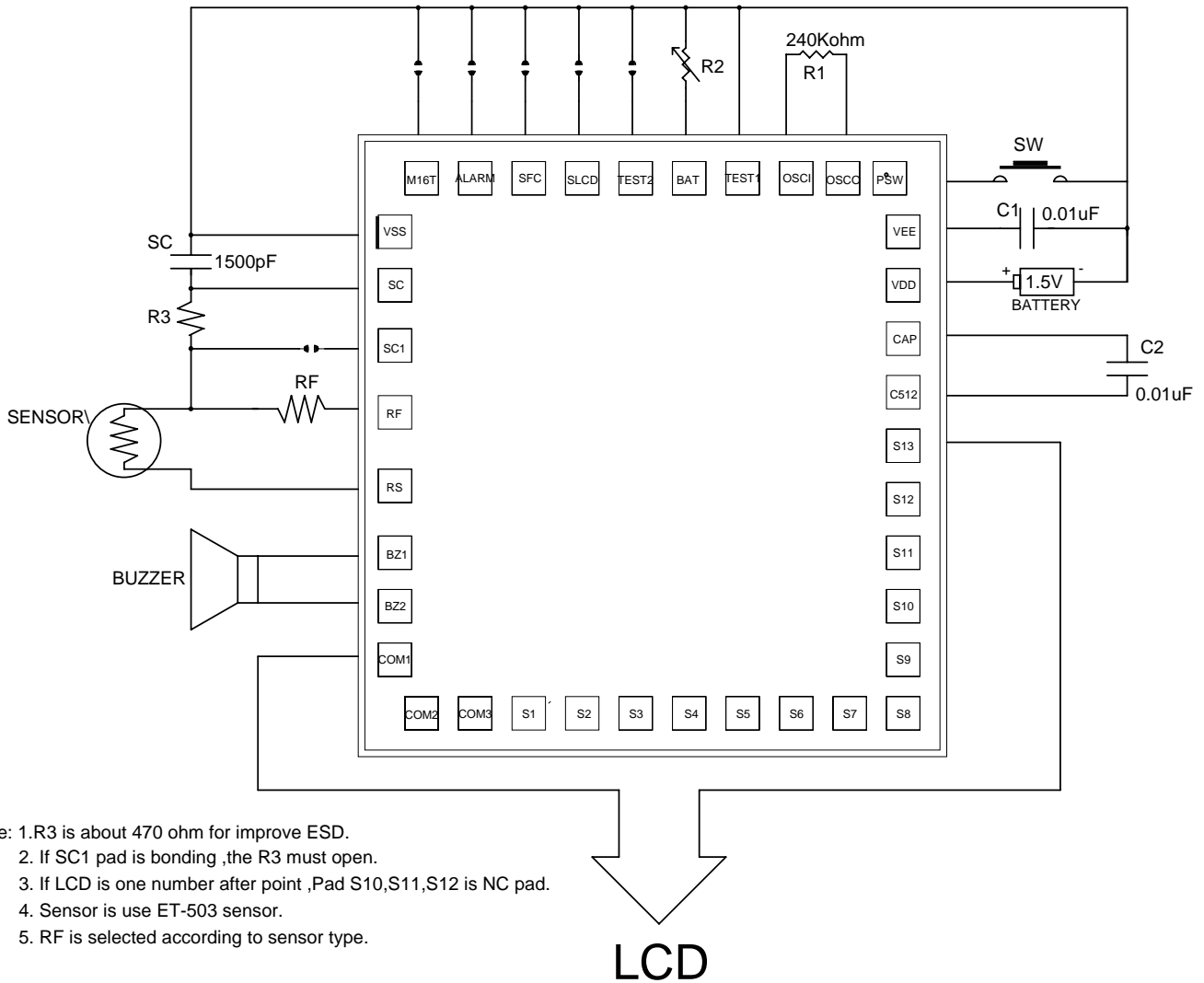
Pad name	Default	Connect to Vss
TEST2	Highest Temperature	Real Temperature
SLCD	Two numbers after point	One number after point
SFC		
ALARM	Fever alarm	No Fever alarm
M16T	16 sec (or 4 sec)	8 sec



BLOCK DIAGRAM



TC7466A Application



- Note:
1. R3 is about 470 ohm for improve ESD.
 2. If SC1 pad is bonding ,the R3 must open.
 3. If LCD is one number after point ,Pad S10,S11,S12 is NC pad.
 4. Sensor is use ET-503 sensor.
 5. RF is selected according to sensor type.

LCD

深圳商斯达实业**专用电路与单片机部**是专业开发、设计、生产、代理、经销专用电路(ASIC)

和单片机配套产品,温度、湿度、语音、报警、计时、计步、测速、调光、游戏、新特优等专用芯片和模组;专用电路、微控制器、DSP、语音系统开发、设计、测试、仿真工具,为消费电子、通信、家电、防盗报警厂家提供专业服务。产品主要有:1、温度计电路、体温计电路、湿度计电路、时钟温湿度计电路、计时钟控电路、计步运动表电路、测速电路、调光电路、游戏电路、防盗报警电路、遥控电路、钟表电路、闪灯电路、计数电路、语音电路等专用芯片和模组,为三资企业、外贸出口企业提供完整配套服务;2、带LED闪烁电路、声效电路、玩具钢琴电路、音乐音效电路、灯串电路、风扇控制电路、计算器电路、万年历电路、汇率转换电路、玩具声光电路、遥控编解码电路、红外线遥控电路、无线遥控电路及配件、语音录放电路、圣诞灯电路、热释电控制器(人体感应)电路等专用芯片和配套模组。

欢迎来电洽购我司产品或索取免费详细资料、设计指南和光盘

商斯达射频微波光电产品网:[HTTP://www.rfoe.net/](http://www.rfoe.net/) 商斯达中国传感器科技信息网:

<http://www.sensor-ic.com/>

商斯达工控安防网: <http://www.pc-ps.net/>

商斯达电子元器件网: <http://www.sunstare.com/>

商斯达军工产品网: <http://www.Junpinic.com/>

商斯达消费电子产品网:<http://www.icasic.com/>

商斯达实业科技产品网:<http://www.sunstars.cn/>

地址: 深圳市福田区福华路福庆街鸿图大厦 1602 室 E-MAIL: szss20@163.com

电话: 0755-83398389 83387030 83387016

传真: 0755-83376182 83338339 邮编: 518033 手机: (0)13902971329

E-MAIL:xjr5@163.com MSN:SUNS8888@hotmail.com QQ: 195847376

技术支持: 0755-83394033 13501568376

深圳展销部: 深圳华强北路赛格电子市场 2583 号 TEL/FAX: 0755-83665529 25059422

北京分公司: 北京海淀区知春路 132 号中发电子大厦 3097 号 TEL: 010-81159046 82615020 13501189838 FAX: 010-62543996

上海分公司: 上海市北京东路 668 号上海赛格电子市场地下一层 D25 号 TEL: 021-28311762 56703037 13701955389 FAX: 021-56703037

西安分公司: 西安高新开发区 20 所(中国电子科技集团导航技术研究所) 西安劳动南路 88 号电子商城二楼 D23 号

TEL: 029-81022619 13072977981 FAX:029-88789382