

POWER MANAGEMENT PRODUCTS





DIODES INCORPORATED'S PRODUCTS ARE DESIGNED FOR HIGH PERFORMANCE, ACROSS A WIDE RANGE OF EXISTING AND EMERGING APPLICATIONS

COMPANY OVERVIEW

Diodes Incorporated is a leading global provider of Discrete and Analog semiconductors.

Its global footprint includes sales offices in 5 countries and manufacturing locations in China, Europe and the USA.

A focus on product innovation, cost reduction, acquisitions and customer service has made Diodes Incorporated an industry leader.

Combining leading silicon and packaging technologies, Diodes provides a broad portfolio of discrete semiconductors comprising Bipolar Transistors, MOSFETs, Schottky diodes, SBR, switching diodes and functional specific arrays to enable our customers' next generation designs.

The Diodes' Analog IC portfolio consists of 6 main areas: Power Management ICs, Standard Linear, Lighting, Sensors, Direct Broadcast by Satellite and Applications Specific Standard Products.



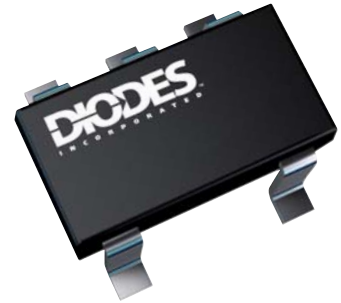
SOLUTIONS FOR POWER MANAGEMENT CHALLENGES

Diodes offers a well-rounded portfolio of analog and discrete components for power management solutions. The product offering includes solutions for high end consumer, communications, computing, industrial, medical, and the rapidly expanding portable applications sector.

With in-house IP, wafer fab technology, and packaging capabilities, Diodes offers an aggressive way to reduce solution size and increase feature set with cost optimization in mind. Strategic partnerships enhance product availability, providing access to optimized process technology and additional production capacity.

Our worldwide sales and technical support team enables close customer relationships and fast response time. Application notes, samples, and evaluation tools enable ready access to Diodes' products and easy design-in.

This power management selection guide includes DC-DC switching converters and controllers, LDOs, linear regulators, load switches, and USB power switches.



Diodes' offering in DC-DC non-isolated switching voltage regulators includes input voltages ranging from as low as 0.9V up to 60V. Load currents of up to 5A can be supported, with switching frequencies from 50kHz to 1.8MHz. The device topologies offered include step-down, step-up, and inverting converters and controllers.

Linear regulators are offered for the industrial market with high-input voltages ranging up to 25V and 5A, as well as low-voltage CMOS LDOs for point-of-load in portable, industrial, and consumer electronics. Ultra low dropout regulators allow core-to-core voltage regulation, for example 1.8V to 1.5V.

Single channel load switches with currents up to 2A and typical $R_{DS(ON)}$ of 80m Ω and output discharge function are available in SOT25 and 6-pin 2x1.8mm DFN packages for optimized solution size.

USB power switches are offered in industry standard pin out and packaging. Available in single and dual channel for 0.5A, 1A, 1.5A, and 2A continuous load current, Diodes' USB power switches support USB 2.0 and 3.0 standards.

Products are available in Green molding compound and are RoHS compliant.



INDEX

Switching Voltage Regulators

DC-DC Controllers	4
DC-DC Converters	5

USB Current Limiting Switches

6

Load Switches

8

Linear and Low Dropout (LDO) Regulators

Linear Regulators	9
Quasi Low Dropout Regulators	10
Low Dropout (LDO) Regulators	11



Switching Voltage Regulators

Converters vs. Controllers

Converters feature integrated power switches to make designing with them easier and to minimize component count, while controllers using external power switches offer increased flexibility to system board designers.

Internal vs. External Compensation

Internal compensation allows for smaller board space and fewer components, while use of external compensation allows the system designer to select specific inductor and capacitor values to optimize system stability.

Switching Frequency

Higher switching frequencies will reduce the output ripple current and will allow for comparatively smaller inductors, but special attention has to be given to EMI.

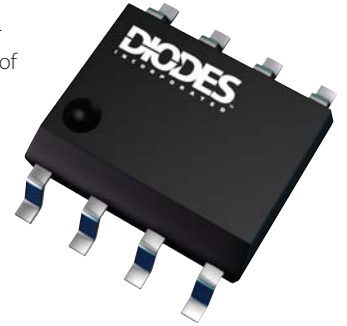
With higher switching frequency, the losses in the MOSFETs will increase as they are in transition regions longer.

Protection Features

Over-current, voltage, and temperature protection will increase board reliability and prevent premature failures. A Power Good signal in combination with an Enable pin can be used for power sequencing and can warn the processor of possible supply problems and shut down in a controlled manner.

Enable Pin

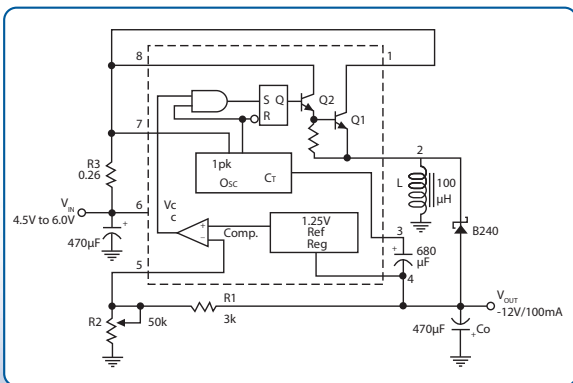
An Enable pin can serve as a power saving opportunity as system blocks can be turned off and energy efficiency in stand-by can be dramatically increased.



DC-DC Controllers

Part Number	Buck	Boost	Inverter	Min. Input Voltage V	Max. Input Voltage V	Adjustable Output Voltage V	Output Current A	Frequency (typ) kHz	Efficiency %	Standby Quiescent Current (typ) µA	Operating Ambient Temp Range °C	Features						Available Packages	
												Soft Start	Enable Pin	Current Limit Protection	Thermal Shutdown	Under Voltage Lockout	Compensation Pin		Over-current Protection
AP2014	X	-	-	4.5	20	1.25 to 20	-	200	92	-	0 to +125	X	-	X	X	X	X	-	TO263 / TO220
AP2014A	X	-	-	4.5	20	0.8 to 20	-	400	92	-	0 to +125	X	-	X	X	X	X	-	TO263 / TO220
AP2004	X	-	-	3.6	27	1.25 to 25.5	-	300 adj	90	-	-20 to +85	X	-	X	-	X	X	-	TO263 / TO220
ZXSC100	-	X	-	0.93	3.5	0.93 to 3.5	-	200	82	150	0 to +70	-	-	-	-	-	-	-	TO252
ZXSC4XX	-	X	-	1.8	8	1.8 to 8	-	200	85	150	0 to +70	-	X	-	-	-	-	-	MSOP-8 / SOT26
AP2001	X	X	X	3.6	40	2.5 to 40	1	500 adj	-	-	-20 to +85	-	-	X	-	X	X	X	SO-8

THE DIODES ADVANTAGE



Typical Application

AP34063 Universal DC-DC Converter

- Use as Step up, Step down, or Inverter
- Operates from 3V to 40V
- Output switch current up to 1.6A
- Precise 2% reference



The AP5100 is a current mode step-down converter with a built-in power MOSFET to enable smallest size power conversion solutions.

With the low series on-resistance power switch, it enables a constant output current of up to 1.2A over a wide input supply range. The load and line regulation has excellent response time over the operating input voltage and temperature range.

The AP5100 is self-protected through a cycle-by-cycle current limiting algorithm and on-chip thermal protection.

The AP5100 will provide voltage conversion with low component count using widely available standard external components. The AP5100 is available in a SOT26 package.

DC-DC Converters

Part Number	Buck	Boost	Inverter	Min. Input Voltage V	Max. Input Voltage V	Fixed Output Voltage V	Adjustable Output Voltage V	Output Current A	Frequency (typ) kHz	Efficiency %	Standby Quiescent Current (typ) μ A	Operating Ambient Temp Range $^{\circ}$ C	Features						Available Packages	
													Soft Start	Enable Pin	Current Limit Protection	Thermal Shutdown	Under-Voltage Lockout	Compensation Pin		Over-current Protection
AP1501	X	-	-	4.5	40	3.3/5/12	1.23 to 37	3	150	90	150	-20 to +85	-	X	X	X	-	-	-	TO263 / TO220
AP1501A	X	-	-	4.5	40	3.3/5/12	1.23 to 37	5	150	88	150	-20 to +85	-	X	X	X	-	-	-	TO263 / TO220
AP1506	X	-	-	4.5	22	3.3/5/12	1.23 to 18	3	150	89	0	-20 to +85	-	X	X	X	-	-	-	TO263 / TO220
AP1507	X	-	-	4.5	22	3.3/5/12	1.23 to 18	3	150	90	70	-20 to +85	-	X	X	X	-	-	-	TO252
AP1509	X	-	-	4.5	22	3.3/5/12	1.23 to 18	2	150	90	70	-20 to +85	-	X	X	X	-	-	-	SO-8
AP1510	X	-	-	3.6	23	-	0.8 to V_{CC}	3	300	92	10	-20 to +85	X	X	X	X	-	-	X	SO-8
AP1512	X	-	-	4.5	60	3.3/5/12	1.23 to 37	2	50	90	350	-20 to +85	-	X	X	X	-	-	-	TO263
AP1512A	X	-	-	4.5	60	3.3/5/12	1.23 to 37	3	50	90	350	-20 to +85	-	X	X	X	-	-	-	TO263
AP1513	X	-	-	3.6	18	-	0.8 to V_{CC}	2	300	92	10	-20 to +85	X	X	X	X	-	-	X	SO-8
AP1520	X	-	-	3.6	23	-	0.8 to V_{CC}	2	300	92	10	-20 to +85	X	X	X	X	-	-	X	SO-8
AP1530	X	-	-	3.6	18	-	0.8 to V_{CC}	3	300	92	10	-25 to +85	X	X	X	X	-	-	X	SO-8
AP1533	X	-	-	4	23	-	0.8 to V_{CC}	1.8	300	91	10	-25 to +85	X	X	X	X	-	-	X	SO-8
AP1534	X	-	-	4.4	18	-	0.8 to V_{CC}	2	300	91	10	-25 to +85	X	X	X	X	-	-	X	SO-8
AP1538	X	-	-	3.6	18	-	0.8 to V_{CC}	3	300	92	10	-25 to +85	X	X	X	X	-	-	X	SO-8
AP1539	X	-	-	4.4	18	-	0.8 to V_{CC}	4	300	-	10	-25 to +85	X	X	X	X	-	-	X	SO-8-EP
AP1604A	X	-	-	2.2	5.5	-	2 to 5.5	0.8	600	93	2	-25 to +80	X	X	X	X	X	-	-	SOT25
AP1605	X	-	-	2.5	7	-	2.2 to V_{CC}	3	300	93	2	-25 to +85	X	X	-	-	X	-	-	SO-8
AP1635	X	-	-	2.2	5	-	2.0 to V_{CC}	1.2	700	93	6	-25 to +80	X	X	X	X	X	-	-	SO-8
AP5002	X	-	-	3.6	20	-	0.8 to V_{CC}	2	500	90	50	-20 to +85	X	X	X	X	-	X	-	SO-8
AP5004	X	-	-	10	32	-	0.8 to 6V	2.5	300	90	2	-25 to +85	-	X	X	X	-	-	X	SO-8
AP5100	X	-	-	4.75	24	-	0.81 to 15	1.2	1400	90	0.1	-25 to +85	-	X	X	X	X	-	X	SOT26
AP6015	X	-	-	2.5	5.5	1.8/2.5/3.3	0.8 to V_{CC}	0.8	1000	94	0.1	-40 to +85	X	X	X	X	X	X	-	MSOP-10
AP1603	-	X	-	0.9	5.5	3.3/5	2 to 5.5	0.2	150	90	0.1	-40 to +85	-	X	X	-	-	-	-	SOT26
AP1601	-	X	-	1.1	5.5	-	2 to 5.5	0.42	100	90	0.1	-40 to +85	-	X	X	-	-	-	-	MSOP-8/MSOP-10
AP1609	-	X	-	2.5	6	-	3 to 17	2.4	300	91	1	-40 to +85	-	X	-	-	-	-	-	SO-8
AP6714	-	X	-	0.9	5.5	-	1.8 to 5.5	1.6	1800	94	1	-40 to +85	X	X	-	-	-	-	X	MSOP-10
ZXLD1601	-	X	-	2.5	5.5	-	2.5 to 28	0.25	1000	85	60	-40 to +85	-	X	-	-	-	-	-	SC70-6
ZXLD1615	-	X	-	2.5	5.5	-	2.5 to 28	0.25	1000	85	60	-40 to +85	-	X	-	-	-	-	-	TSOT23-5
AP34063	X	X	X	3	40	-	1.25 to V_{CC}	1.6	100 adjustable	82	-	-20 to +105	-	X	X	-	X	-	-	PDIP / SO-8

USB Current-Limiting Switches

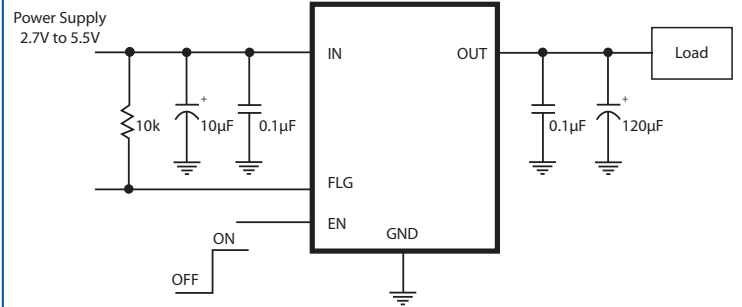
These integrated high-side power switches are optimized for Universal Serial Bus (USB) and other 3V-5V hot-swap applications. They provide fault protection, power sequencing, and segmentation for different modules.

The family of devices complies with USB 2.0 or 3.0 standards, and is available with both polarities of Enable input.

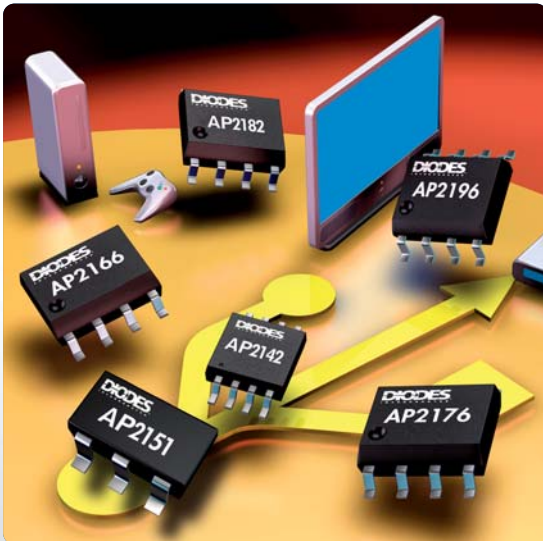
Key features

- Accurate current limiting
- Reverse current blocking
- Built-in Soft-Start
- Fast over-current response
- Under-voltage lockout (UVLO)
- Open-drain error flag output with deglitch
- Short-Circuit protection
- Thermal protection
- UL Recognized and IEC 60950-1 CB Scheme Certified

AP2101/AP2111 2A USB Power Switch



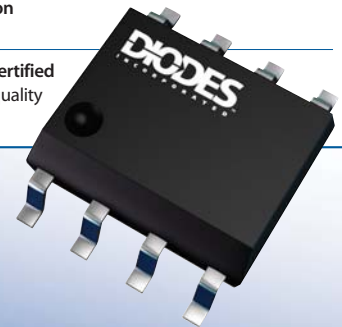
THE DIODES ADVANTAGE



The Diodes Advantage

The AP2101/AP2111 provides a simple cost-effective solution for multiple USB port protection

- **2A single channel in SO-8 and MSOP-8-EP**
Expands AP21x1 single channel series (0.5A/1A/1.5A) for high current applications
- **5µs fast transient response time**
Prevents system shutdown/restart and improves system robustness
- **Output discharge function**
Provides controlled discharge of the output voltage stored on the output capacitor
- **2.5A accurate current limiting**
Reduces power requirements on system rail and reduces system cost
- **Reverse current blocking, over-current, short-circuit, and over-temperature protection**
Improves robustness of USB port(s)
- **UL recognized and IEC 60950-1 CB Scheme certified**
Ensures system safety and improves product quality



USB Current-Limiting Switches

Part Number	Number of Channels	Maximum Continuous Output Current	Maximum Current Limit	Enable Logic	Operating Voltage Range	Quiescent Current (typ)	R _{DS(ON)} (typ)	Operating Ambient Temp Range	Features					UL Listed	IEC 60950-1 CB Scheme Certified	Available Packages				
									V	μA	mΩ	°C	Flag Output				Undervoltage Lockout	Reverse Current Blocking	Output Discharge	Thermal Shutdown
AP2141	1	0.5	1	Active Low	2.7 to 5.5	45	90	-40 to +85	X	X	X	-	X	Yes	Yes	DFN2018-6				
							90									SOT25 SO-8 MSOP-8-EP				
AP2145	1	0.5	1	Active Low	2.7 to 5.5	45	90	-40 to +85	X	X	X	-	X	Yes	Yes	MSOP-8-EP				
							95									SO-8				
AP2142	2	0.5	1	Active Low	2.7 to 5.5	100	115	-40 to +85	X	X	X	-	X	Yes	Yes	MSOP-8-EP				
							120									SO-8				
AP2146	2	0.5	1	Active Low	2.7 to 5.5	95	90	-40 to +85	X	X	X	-	X	Yes	Yes	MSOP-8-EP				
							100									SO-8				
AP2151	1	0.5	1	Active High	2.7 to 5.5	45	90	-40 to +85	X	X	X	-	X	Yes	Yes	DFN2018-6				
							95									SOT25 SO-8 MSOP-8-EP				
AP2155	1	0.5	1	Active High	2.7 to 5.5	45	90	-40 to +85	X	X	X	-	X	Yes	Yes	MSOP-8-EP				
							95									SO-8				
AP2152	2	0.5	1	Active High	2.7 to 5.5	100	115	-40 to +85	X	X	X	-	X	Yes	Yes	MSOP-8-EP				
							120									SO-8				
AP2156	2	0.5	1	Active High	2.7 to 5.5	95	90	-40 to +85	X	X	X	-	X	Yes	Yes	MSOP-8-EP				
							100									SO-8				
AP1212L	2	0.6	1.25	Active Low	2.7 to 5.5	110	110	-40 to +85	X	X	X	-	X	-	-	SO-8				
AP1212H	2	0.6	1.25	Active High	2.7 to 5.5	110	110	-40 to +85	X	X	X	-	X	-	-	SO-8				
AP2161	1	1	1.9	Active Low	2.7 to 5.5	45	90	-40 to +85	X	X	X	-	X	Yes	Yes	DFN2018-6				
							95									SOT25 SO-8 MSOP-8-EP				
AP2162	2	1	1.9	Active Low	2.7 to 5.5	100	115	-40 to +85	X	X	X	-	X	Yes	Yes	MSOP-8-EP				
							120									SO-8				
AP2166	2	1	1.9	Active Low	2.7 to 5.5	95	90	-40 to +85	X	X	X	-	X	Yes	Yes	MSOP-8-EP				
							100									SO-8				
AP2171	1	1	1.9	Active High	2.7 to 5.5	45	90	-40 to +85	X	X	X	-	X	Yes	Yes	DFN2018-6				
							95									SOT25 SO-8 MSOP-8-EP				
AP2172	2	1	1.9	Active High	2.7 to 5.5	100	115	-40 to +85	X	X	X	-	X	Yes	Yes	MSOP-8-EP				
							120									SO-8				
AP2176	2	1	1.9	Active High	2.7 to 5.5	95	90	-40 to +85	X	X	X	-	X	Yes	Yes	MSOP-8-EP				
							100									SO-8				
AP2181	1	1.5	2.6	Active Low	2.7 to 5.5	45	90	-40 to +85	X	X	X	-	X	Yes	Yes	DFN2018-6				
							95									SOT25 SO-8 MSOP-8-EP				
AP2182	2	1.5	2.6	Active Low	2.7 to 5.5	100	115	-40 to +85	X	X	X	-	X	Yes	Yes	MSOP-8-EP				
							120									SO-8				
AP2186	2	1.5	2.6	Active Low	2.7 to 5.5	95	90	-40 to +85	X	X	X	-	X	Yes	Yes	MSOP-8-EP				
							100									SO-8				
AP2191	1	1.5	2.6	Active High	2.7 to 5.5	45	90	-40 to +85	X	X	X	-	X	Yes	Yes	DFN2018-6				
							95									SOT25 SO-8 MSOP-8-EP				
AP2192	2	1.5	2.6	Active High	2.7 to 5.5	100	115	-40 to +85	X	X	X	-	X	Yes	Yes	MSOP-8-EP				
							120									SO-8				
AP2196	2	1.5	2.6	Active High	2.7 to 5.5	95	90	-40 to +85	X	X	X	-	X	Yes	Yes	MSOP-8-EP				
							100									SO-8				
AP2101	1	2	2.8	Active Low	2.7 to 5.5	45	90	-35 to +85	X	X	X	X	X	Yes	Yes	MSOP-8-EP				
							95									SO-8				
AP2111	1	2	2.8	Active High	2.7 to 5.5	45	90	-35 to +85	X	X	X	X	X	Yes	Yes	MSOP-8-EP				
							95									SO-8				

Load Switches

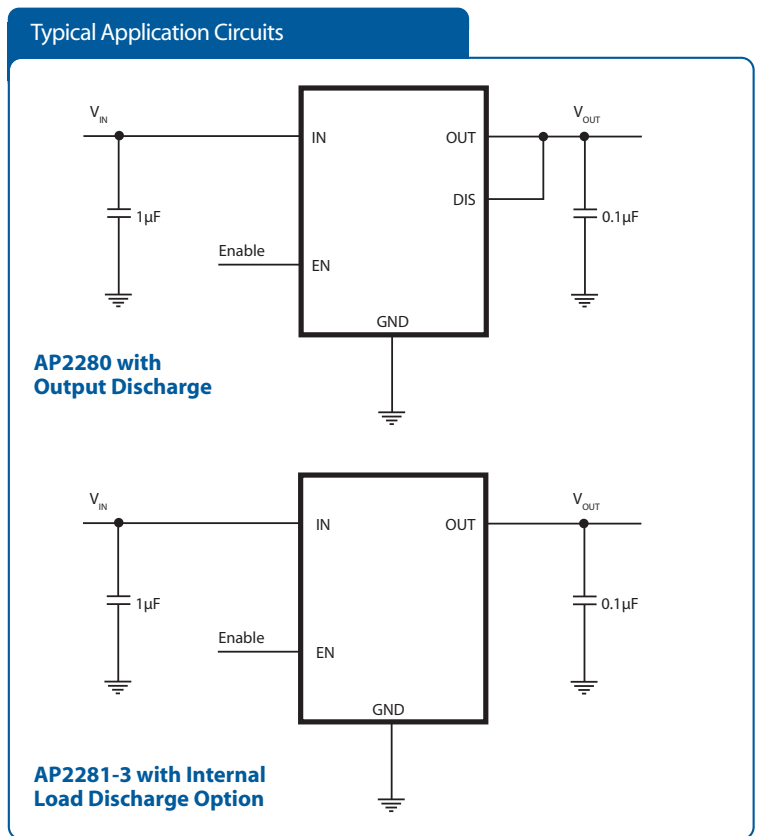
Slew rate controlled load switches consist of a single P-channel MOSFET power switch designed for high-side load switching or power distribution applications. The MOSFET has a typical $R_{DS(ON)}$ of 80m Ω at 5V, allowing increased load current handling capability with a low forward voltage drop.

The turn-on slew rate of the device is controlled internally to reduce turn-on inrush current and improves system performance and reliability with minimized power-on transients.

Diodes' load switches are ideal for 1.8V, 2.5V, 3.3V, and 5V applications, and for battery powered distribution systems where power consumption is a concern.

Key features

- Wide input range: 1.5V to 6V
- Low $R_{DS(ON)}$: 80m Ω typical @5V
- Very low quiescent current
- 100 μ s or 1ms controlled turn-on rise time
- Discharge function
- Low profile DFN2018-6 package
- Temperature range: -45 $^{\circ}$ C to 85 $^{\circ}$ C



Part Number	Number of Channels	Operating Voltage Range V	Max Output Current A	Output Turn-On Rise Time (typ) μ s	Output Turn-On Delay Time (typ) μ s	Quiescent Current (typ) μ A	$R_{DS(ON)}$ m Ω	Operating Ambient Temp Range $^{\circ}$ C	Enable Logic	Features			Available Packages
										Soft Start	Enable	Discharge Pin	
AP2280-1	1	1.5 to 6.0	2	100	1	0.004	80	-40 to +85	Active-High	X	X	External	SOT25 DFN2018-6
AP2280-2	1	1.5 to 6.0	2	1000	1	0.004	80	-40 to +85	Active-High	X	X	External	SOT25 DFN2018-6
AP2281-1	1	1.5 to 6.0	2	1000	1	0.01	80	-40 to +85	Active-High	X	X	-	SOT26 DFN2018-6
AP2281-3	1	1.5 to 6.0	2	100	1	0.01	80	-40 to +85	Active-High	X	X	Internal	SOT26 DFN2018-6

Linear and Low Dropout (LDO) Regulators

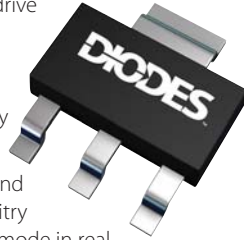
A broad LDO portfolio is offered to cover a wide range of specifications and performance for consumer, computing, communications, portable, and industrial applications.

The characteristics of low dropout voltage and low quiescent current provide great power savings in portable and low power applications.

Most LDOs are designed to drive low ESR MLCC capacitors to reduce system-level manufacturing cost and improve control loop stability and transient response.

The fast transient response and start-up time help load circuitry move in and out of standby mode in real time and extend battery life. It also provides stable voltage regulation for fast DSPs and FPGAs with fast changing loads.

Built-in current-limit, short-circuit, and thermal protections prevent damage to ICs in fault or extreme operating conditions.



Key Features

- Wide input voltage range
- Output voltage: adjustable or fixed options
- Compatible with low ESR ceramic capacitors
- Temperature range: -45°C to 85°C
- Current-limit protection
- Short-circuit protection
- Thermal protection
- Green and RoHS compliant packages

Linear Regulators

Part Number	Output Current	Max Dropout Voltage	Max Operating Input Voltage	Quiescent Current (typ)	Output Voltage	Output Accuracy	Max Load Regulation (typ)	Max Line Regulation (typ)	Current Limit	PSRR (typ)	Temperature Coefficient	Operating Ambient Temp Range	Thermal Protection	Pin Count	Available Packages
	A	V	V	mA	V	%	mV	mV	A	dB	mV/°C	°C			
AP78L05	0.1	2	20	3	5.0	4	20	18	0.14	62 at 120Hz	-0.65	-20 to +85	X	3 8	TO92-3 SOT89-3 SO-8
AP78L08	0.1	2	23	3	8.0	4	20	18	0.14	46 at 120Hz	-0.8	-20 to +85	X	3 8	TO92-3 SOT89-3 SO-8
AP78L12	0.1	2	27	3	12	4	20	18	0.14	54 at 120Hz	-1.0	-20 to +85	X	3 8	TO92-3 SOT89-3 SO-8
ZMR250	0.1	1.7	22.5	40µA	2.5	-	30	15	-	75 at 180Hz	0.7	-55 to +125	X	3	SOT23
ZMR330	0.1	1.7	24	170µA	3.3	-	35	10	-	72 at 120Hz	0.7	-55 to +125	X	3	SOT23
ZMR500	0.1	1.7	25	70µA	5	-	40	15	-	72 at 120Hz	0.7	-55 to +125	X	3	SOT23
ZSRXXX	0.2	1.7	20	350µA	3/3.3/5/10/12	2.5	20	18	0.14	62 at 120Hz	0.1	-55 to +125	X	3	SOT223

Quasi Low Dropout Regulators

Part Number	Number of Channels	Output Current	Max Dropout Voltage	Max Operating Input Voltage	Output Voltage	Output Accuracy	Load Current (typ)	Max Load Regulation	Max Line Regulation	Min Current Limit	PSRR (typ)	Temperature Coefficient	Operating Junction Temp Range	Features		Pin Count	Available Packages
														Thermal Protection	Additional Features		
AP1115A/B	1	0.6	1.3	18	1.5 / 1.8 / 2.5 / 2.8 / 3.0 / 3.3 / 3.5 / 5.0 / ADJ	2	5	1.0	0.2	0.7	60 at 120Hz	0.6	0 to +125	X	-	3	SOT89-3
AP1122	1	1	1.3	12	1.2	2	5	1.0	0.2	1.1	60 at 120Hz	0.5	0 to +125	X	-	3	SOT223-3 TO252-3 SOT89-3 TO263-3 TO220-3
AP1117	1	1	1.4	18	1.5 / 1.8 / 2.5 / 3.3 / 5.0 / ADJ	2	5	1.0	0.2	1.1	60 at 180Hz	0.5	0 to +125	X	-	3	SOT223-3 TO252-3 TO220-3 SOT89-3 TO263-3
ZLDO1117	1	1	1.3	18	1.2 / 1.5 / 1.8 / 2.5 / 3.3 / 5.0 / ADJ	1	2	0.2	0.1	1.1	80 at 120Hz	0.5	-40 to +125	X	-	3	SOT223-3 TO252-3
AP1120 / AP1121A	2	1	1.4	18	ch1:3.3 ch2:2.5	2	5	1.0	0.2	1.1	60 at 120Hz	0.5	0 to +125	X	-	8	SO-8
AP1120B / AP1121B	2	1	1.4	18	ch1:3.3 ch2:1.8	2	5	1.0	0.2	1.1	60 at 120Hz	0.5	0 to +125	X	-	8	SO-8
AP1086	1	1.5	1.4	12	1.5 / 1.8 / 2.5 / 3.3 / 5.0 / ADJ	2	5	1.0	0.2	1.6	60 at 120Hz	0.5	0 to +125	X	-	3	TO263-3 TO252-3 TO220-3
AP1186	1	1.5	0.38	16	1.5 / 1.8 / 2.5 / 3.3 / 5.0 / ADJ	2	5	1.0	0.2	1.6	70 at 120Hz	-	0 to +150	X	Bias Supply	5	TO263-5 TO220-5
AP1184	1	4	0.85	16	1.5 / 1.8 / 2.5 / 3.3 / 5.0 / ADJ	2	5	1.0	0.2	4.2	70 at 120Hz	-	0 to +125	X	Bias Supply	5	TO263-5 TO220-5
AP1084	1	5	1.4	12	1.5 / 1.8 / 2.5 / 3.3 / 5.0 / ADJ	2	5	1.0	0.2	5.1	-	0.5	0 to +125	X	-	3	TO263-3 TO252-3 TO220-3

THE DIODES ADVANTAGE

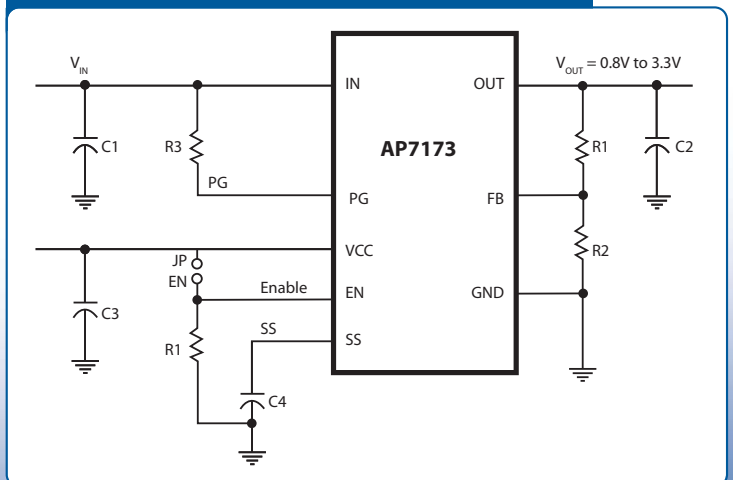
High Current LDO with Programmable Soft Start

The AP7173 is a 1.5A LDO that features a user-programmable soft-start, an enable input, and a power-good output.

The soft-start reduces inrush current of the load capacitors and minimizes stress on the input power source during start-up. The enable input and power-good output allow users to configure power management solutions that can meet the sequencing requirements of FPGAs, DSPs, and other applications with different start-up and power-down requirements.

The AP7173 is stable with any type of output capacitor of 2.2µF or more. A precision reference and feedback control deliver 2% accuracy over load, line, and operating temperature ranges. The AP7173 is available in both DFN3030-10 and SOP-8L-EP packages.

AP7173 typical application circuit (adjustable output)



Low Dropout (LDO) Regulators

Part Number	Output Current		Operating Input Voltage	Quiescent Current (typ)	Output Options		Output Accuracy	Load Regulation	Line Regulation	Current Limit (typ)	PSRR (typ)	Temperature Coefficient	Operating Ambient Temp Range	Features			Pin Count	Available Packages
	A	V			Fixed Voltage	Adjustable								Thermal Protection	External Enable/Control	Additional Features		
AP7311	0.15	0.3	2 to 6	55	1.0/ 1.2/ 1.5/ 1.8/ 2.0/ 2.5/ 2.8/ 3.0/ 3.3	0.8 to 5	2	0.6	0.01	0.3	65 at 100Hz	-	-40 to +85	X	X	-	5	SOT25
AP7313	0.15	0.3	2 to 6	55	1.0/ 1.2/ 1.5/ 1.8/ 2.0/ 2.5/ 2.8/ 3.0/ 3.3	-	2	0.6	0.01	0.3	65 at 100Hz	-	-40 to +85	X	-	-	3	SOT23
AP7115	0.15	0.3	2.5 to 5.5	50	1.0/ 1.2/ 1.5/ 1.8/ 2.5/ 2.8/ 2.85/ 3.0/ 3.3/ 3.5	-	2	0.003 %/mA	0.02	0.25	70 at 1kHz	50	-40 to +85	X	X	Bypass	5	SOT25 SOT353
ZXCLXXX	0.15	0.28	2.0 to 5.5	25	2.5 / 2.8 / 3.0/ 3.3	-	2	0.04	0.1%	-	-	15	-40 to +85	X	X	-	5	SOT25 SC70-5
ZXCL5213VXX	0.15	0.28	2.0 to 5.5	25	2.5 / 2.8 / 3.0/ 3.3	-	2	0.04	0.1%	-	-	15	-40 to +85	X	X	-	5	SC70-5
AP130	0.3	0.5	2.7 to 5.5	50	1.5/ 1.8/ 2.0/ 2.5/ 2.8/ 3.0/ 3.3/ 3.5	-	2	30mV	0.10	0.45	58 at 100Hz	50	-40 to +85	X	-	-	3	SOT-23 SC59 SOT-89
AP131	0.3	0.5	2.7 to 5.5	50	1.5/ 1.8/ 2.0/ 2.5/ 2.8/ 3.0/ 3.3/ 3.5	-	2	30mV	0.10	0.45	60 at 100Hz	50	-40 to +85	X	X	Bypass	5	SOT25
AP139	0.3	0.45	2.7 to 5.5	45	1.5/ 1.8/ 2.0/ 2.5/ 2.8/ 3.0/ 3.3/ 3.5	-	2	0.3	0.1%	0.45	75 at 1kHz	50	-40 to +85	X	X	Bypass	5	SOT25
AP133	0.3	0.45	2 to 6	40	-	1 to 5	2	1.0	0.05	0.6	65 at 1kHz	-	-40 to +85	X	X	-	5 6	SOT25 DFN2020-6
AP7331	0.3	0.55	2 to 6	55	1.0/ 1.2/ 1.5/ 1.8/ 2.0/ 2.5/ 2.8/ 3.0/ 3.3	0.8 to 5	2	0.6	0.01	0.6	65 at 100Hz	-	-40 to +85	X	X	-	5 6	SOT25 DFN2020-6
AP7333	0.3	0.55	2 to 6	55	1.0/ 1.2/ 1.5/ 1.8/ 2.0/ 2.5/ 2.8/ 3.0/ 3.3	-	2	0.6	0.01	0.6	65 at 100Hz	-	-40 to +85	X	-	-	3	SOT23
AP7217	0.5	0.25	3.3 to 5.5	50	3.3	-	2	15mV	0.01	0.6	55 at 1kHz	100	-40 to +85	-	X	Reset Output	8	SO-8
AP7217A	0.6	0.9	3.3 to 5.5	50	3.3	-	2	15mV	0.01	0.75	55 at 1kHz	100	-40 to +85	-	X	Reset Output	8	SO-8 SO-8-EP
AP7217C	0.6	2	2.5 to 5.5	40	1.25	-	2	10mV	0.01	0.75	55 at 1kHz	100	-40 to +85	-	X	-	8	SO-8-EP
AP7217D	0.6	1.3	2.5 to 5.5	40	1.2	-	2	15mV	0.20	0.85	55 at 1kHz	100	-40 to +85	X	-	-	3	SOT89-3
AP7215	0.6	0.25	3.3 to 5.5	50	3.3	-	2	15mV	0.01	0.75	55 at 1kHz	100	-40 to +85	-	X	Reset Output	3 8	SOT89-3 SO-8
AP7165	0.6	0.4	2.2 to 5.5	125	-	0.8 to 5	2.5	1.0	0.015	0.95	60 at 1kHz	-	-40 to +85	X	X	Power Good	8 10	SO-8-EP DFN3030-10
AP7167	1.2	0.8	2.2 to 5.5	125	-	0.8 to 5	3	1.5	0.02	1.6	60 at 1kHz	-	-40 to +85	X	X	Power Good	8 10	SO-8-EP DFN3030-10
AP7168	1.2	0.8	2.2 to 5.5	125	-	0.8 to 5	3	1.5	0.02	1.6	60 at 1kHz	-	-40 to +85	X	X	Power Good	8	SO-8-EP
AP7173	1.5	0.27	1.0 to 5.5	1000	-	0.8 to 3.3	2	0.09 %/A	0.03	3	60 at 1kHz	-	-40 to +85	X	X	Power Good, Soft-start, Bias Supply	8 10	SO-8-EP DFN3030-10

CORPORATE HEADQUARTERS AND AMERICAS SALES OFFICE

15660 N. Dallas Parkway,
Suite 850, Dallas, TX 75248 USA
Tel: 972-385-2810
E-mail: inquiries@diodes.com

EUROPE SALES OFFICE

Kustermann-Park
Balanstrasse 59, 8th Floor
D-81541 Munchen, Germany
Tel: (+49) 89 45 49 49 0
Fax: 89 45 49 49 49
E-mail: inquiries-europe@diodes.com

ASIA SALES OFFICES

Email: inquiries-asia@diodes.com

DIODES-TAIWAN

7F, No. 50, Min Chuan Road,
Hsin-Tien, Taipei, Taiwan, R.O.C.
Tel: 886-2-8914-6000
Fax: 886-2-8914-6639

SHANGHAI OFFICE

Rm. 606, No.1158, Changning Road
Shanghai, China
Tel: 86 21-5241-4882
Fax: 86 21-5241-4891

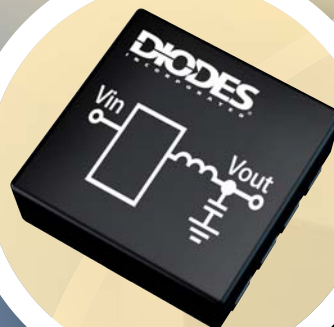
SHENZHEN OFFICE

Room A1103-04, ANLIAN Plaza, #4018
Jintian Road, Futian CBD, Shenzhen, China
Tel: 86 755-88284988
Fax: 86 755-88284999

DIODES-KOREA

6 Floor, Changhwa B/D
1005-5, Yeongtong-dong
Yeongtong-gu, Suwon-si
Gyeonggi-do, Korea, 443-813
Tel: 82-31-273-1884

For information or literature,
please visit www.diodes.com/contacts



SUNSTAR 商斯达实业集团是集研发、生产、工程、销售、代理经销、技术咨询、信息服务等为一体的高科技企业，是专业高科技电子产品生产厂家，是具有10多年历史的专业电子元器件供应商，是中国最早和最大的仓储式连锁规模经营大型综合电子零部件代理分销商之一，是一家专业代理和分销世界各大品牌IC芯片和电子元器件的连锁经营综合性国际公司，专业经营进口、国产名厂名牌电子元件，型号、种类齐全。在香港、北京、深圳、上海、西安、成都等全国主要电子市场设有直属分公司和产品展示展销窗口门市部专卖店及代理分销商，已在全国范围内建成强大统一的供货和代理分销网络。我们专业代理经销、开发生产电子元器件、集成电路、传感器、微波光电元器件、工控机/DOC/DOM电子盘、专用电路、单片机开发、MCU/DSP/ARM/FPGA软件硬件、二极管、三极管、模块等，是您可靠的一站式现货配套供应商、方案提供商、部件功能模块开发配套商。商斯达实业公司拥有庞大的资料库，有数位毕业于著名高校——有中国电子工业摇篮之称的西安电子科技大学（西军电）并长期从事国防尖端科技研究的高级工程师为您精挑细选、量身订做各种高科技电子元器件，并解决各种技术问题。

微波光电部专业研制、代理经销高频、微波、光纤、光电元器件、组件、部件、模块、整机；电磁兼容元器件、材料、设备；微波CAD、EDA软件、开发测试仿真工具；微波、光纤仪器仪表。欢迎国外高科技微波、光纤厂商将优秀产品介绍到中国、共同开拓市场。长期大量现货专业批发高频、微波、卫星、光纤、电视、CATV器件：晶振、VCO、连接器、PIN开关、变容二极管、开关二极管、低噪晶体管、功率电阻及电容、放大器、功率管、MMIC、混频器、耦合器、功分器、振荡器、合成器、衰减器、滤波器、隔离器、环行器、移相器、调制解调器；光电子元件和组件：红外发射管、红外接收管、光电开关、光敏管、发光二极管和发光二极管组件、半导体激光二极管和激光器组件、光电探测器和光接收组件、光发射接收模块、光纤激光器和光放大器、光调制器、光开关、DWDM用光发射和接收器件、用户接入系统光收发器件与模块、光纤连接器、光纤跳线/尾纤、光衰减器、光纤适配器、光隔离器、光耦合器、光环行器、光复用器/转换器；无线收发芯片和模组、蓝牙芯片和模组。

更多产品请看本公司产品专用销售网站：[欢迎索取免费详细资料、设计指南和光盘](#)；产品凡多，未能尽录，欢迎来电查询

商斯达中国传感器科技信息网：<http://www.sensor-ic.com/>

商斯达工控安防网：<http://www.pc-ps.net/>

商斯达电子元器件网：<http://www.sunstare.com/>

商斯达微波光电产品网：[HTTP://www.rfoe.net/](http://www.rfoe.net/)

商斯达消费电子产品网：<http://www.icasic.com/>

商斯达实业科技产品网：<http://www.sunstars.cn/> 微波元器件销售热线：

地址：深圳市福田区福华路福庆街鸿图大厦1602室

电话：0755-82884100 83397033 83396822 83398585

传真：0755-83376182 (0) 13823648918 MSN: SUNS8888@hotmail.com

邮编：518033 E-mail:szss20@163.com QQ: 195847376

深圳赛格展销部：深圳华强北路赛格电子市场2583号 电话：0755-83665529

技术支持: 0755-83394033 13501568376