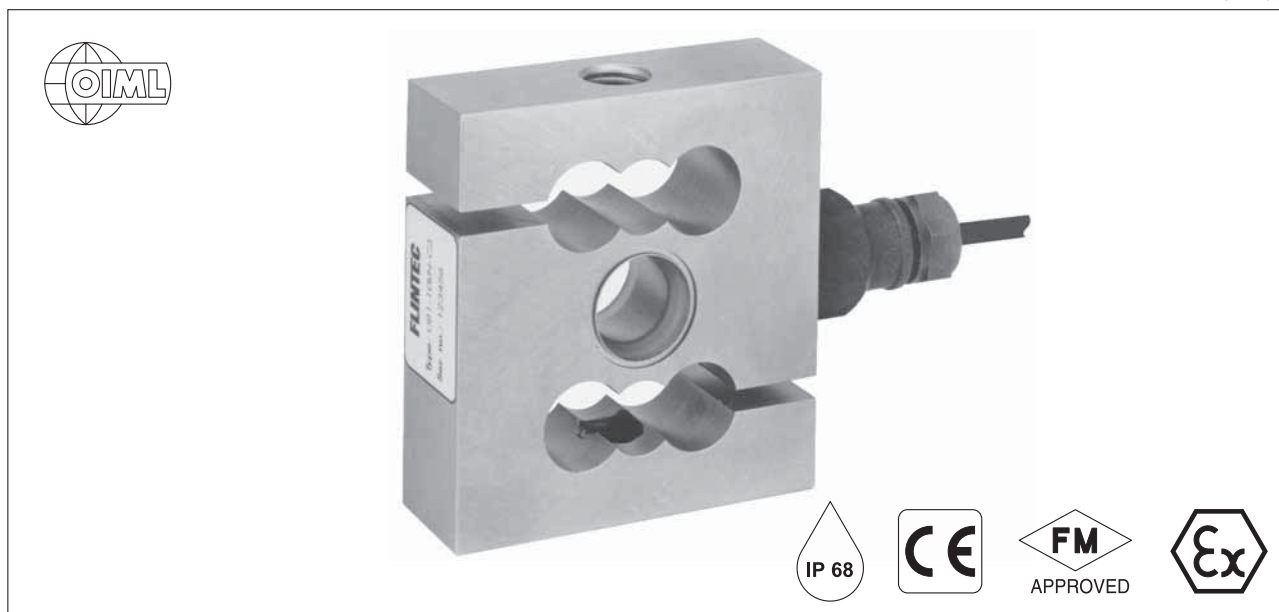




...the right weigh

Type UB1 Load Cell

UB1称重传感器



Important Features

- Capacities: 10 kN to 50 kN.
- High accuracy.
- Total stainless steel construction.
- Complete hermetic sealing.
- Protection IP 68.
- High input resistance: 1100Ω.
- W&M certified for 3000 intervals (SP: No 0402-MVm002).
- Factory Mutual approved.

Option

- Explosion protection zone 0, 1, 2 and 20, 21, 22 ATEX.

选型

UB1	-量程	-精度等级	-防爆 (EX)
------------	-----	-------	----------

例如: UB1-10kN-C3-EX

主要特点

- 量程: 10kN 到50kN
- 高精度
- 不锈钢结构
- 全金属焊接密封
- 防护等级IP68.
- 输入阻抗高: 1100Ω, 替换性好
- W&M认证, 3000分度 (SP: No 0402-MVm002).
- OIML、CE、FM、Ex认证

选项

- 防爆保护区0, 1, 2和20, 21, 22ATEX

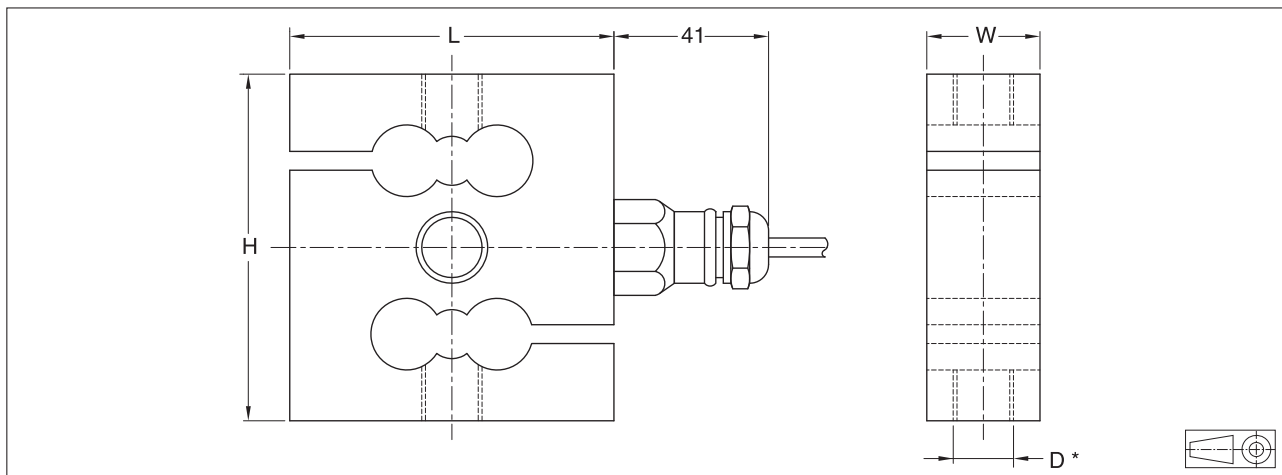
UB1 Specifications 技术参数

Maximum capacity 量程 (E _{max})	kN	10/20/50		
Metric equivalents (approx.) 公制	kg	1020/2039/5099		
Rated Output 输出灵敏度 (C _n)	mV/V	2 ± 0.1%		
Calibration in mV/V/Ω 数字标定精度	%C _n	≤ ± 0.05 (≤ ± 0.005)		
Accuracy class according to OIML R 60 精度等级		(GP)	C1	C3
Maximum number of verification intervals 最大检定分度数 (N _{max})		n.a.	1000	3000
Minimum load cell verification interval 最小检定分度 (V _{min})		n.a.	E _{max} /5000	E _{max} /5700
Combined error 综合误差	%C _n	≤ ± 0.040	≤ ± 0.030	≤ ± 0.020
Creep error (30 minutes)/DR 蠕变	%C _n	≤ ± 0.060	≤ ± 0.049	≤ ± 0.016
Temperature effect on minimum dead load output 零点温度系数	%C _n /°C	≤ ± 0.0040	≤ ± 0.0028	≤ ± 0.0024
Temperature effect on sensitivity 灵敏度温度系数	%/°C	≤ ± 0.0020	≤ ± 0.0016	≤ ± 0.0011
Excitation voltage 激励电压	V	5...15		

UB1 Specifications 技术参数

Zero balance 零点平衡	%Cn	5...15
Input resistance 输入电阻	Ω	$\leq \pm 5$
Output resistance 输出电阻	Ω	1100 \pm 50
Insulation resistance 绝缘电阻 (100 V DC)	M Ω	1000 \pm 2
Compensated temperature range 补偿温度范围	$^{\circ}\text{C}$	≥ 5000
Operating temperature range 工作温度范围	$^{\circ}\text{C}$	-10...+40
Safe load limit 安全载荷限制	%E _{max}	-40...+80
Ultimate load 极限载荷 (Elim)	%E _{max}	200
Load cell material 材料		300
Sealing 密封		stainless steel 17-4 PH (1.4548) 不锈钢 complete hermetic sealing 全金属焊接密封
Protection according DIN 40.050 防护等级		IP 68

Dimensions 尺寸

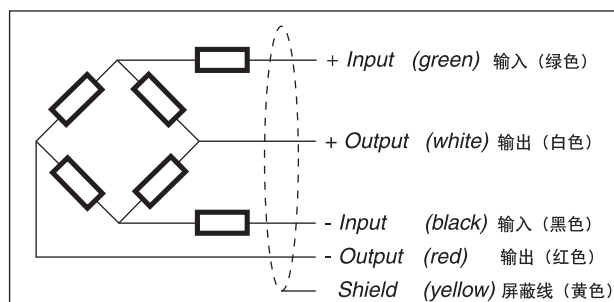


型号	H	L	W	螺纹 D
UB1-10kN/20kN	92	86	30	M16
UB1-50kN	136	143	43	M24X2

All dimensions in mm. 所有尺寸单位为mm.

* Unified thread 5/8-18 UNF (10...20 kN) and 1-12 UNF (50 kN) is available. 螺纹标准5/8-18 UNF (10...20 kN) and 1-12 UNF (50 kN)

接线图



Wiring

- The load cell is provided with a shielded, 4 conductor cable (AWG 24). Cable jacket polyurethane.
- **Cable length:** 6 m.
- **Cable diameter:** 5 mm.
- The shield is floating (On request the shield can be connected to the load cell body).

连线

- 称重传感器专用4芯屏蔽电缆线 (AWG 24)
- 电缆长度: 6m
- 电缆直径为: 5 mm
- 屏蔽线悬浮 (如果要求, 屏蔽可与称重传感器本体相连)