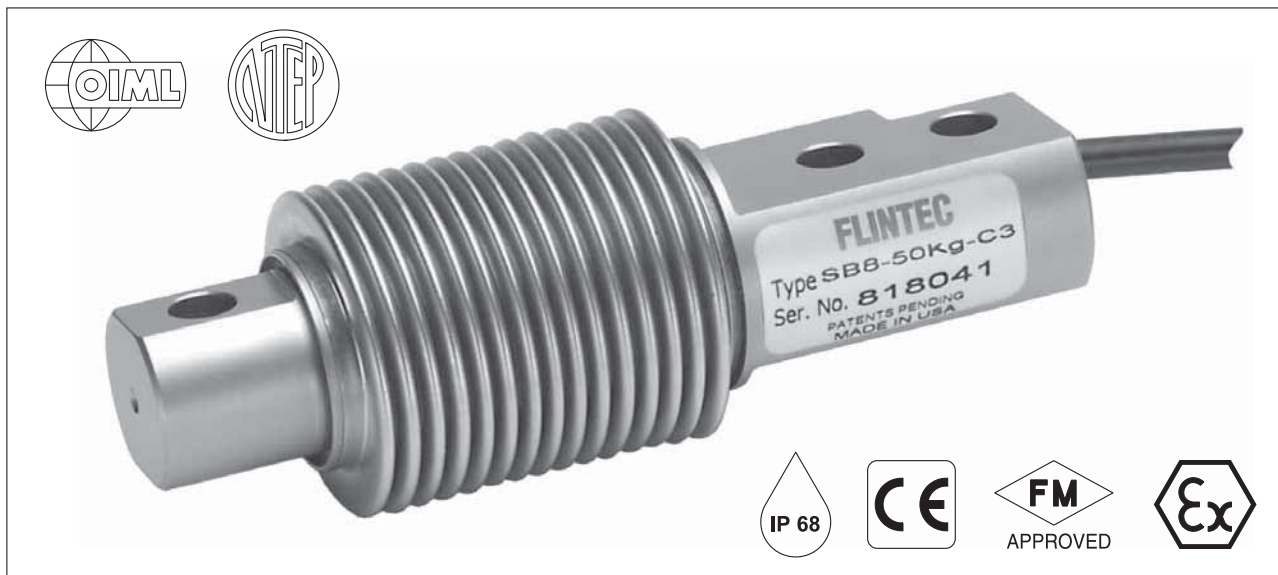




...the right weigh

Type SB8 Load Cell

SB8悬梁臂式称重传感器



Important Features

- Capacities: 10 kg to 500 kg.
- High accuracy.
- Total stainless steel construction.
- Protection IP 68.
- Low profile.
- W&M certified for 3000 intervals (in preparation).
- Calibration in mV/V/Ω.
- Factory Mutual approved.

Option

- Explosion protection zone 0, 1, 2 and 20, 21, 22 ATEX.

选型

SB8	-量程	-防爆 (EX)
------------	-----	----------

主要特点

- 称重范围: 10kg到500kg
- 高精度
- 不锈钢结构
- 防护等级 IP68
- 较低外形
- W&M认证, 3000分度。
- 数字标定, 标定精度0.05%
- FM、OIML、NTEP、CE、FM、Ex认证

选项

- 防爆保护区域0, 1, 2和20, 21, 22ATEX

SB8 Specifications 技术参数

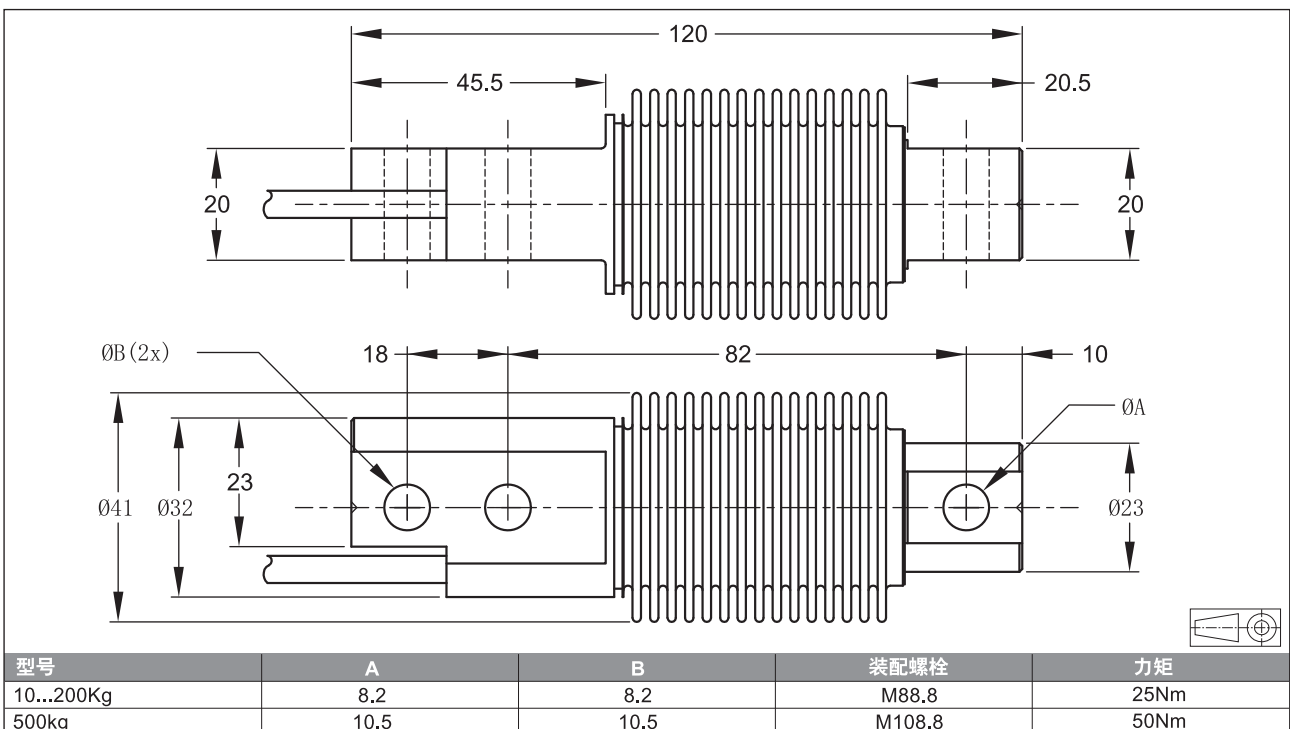
Maximum capacity 量程(Emax)	kg	10/20/50/100/200/500		
Rated Output 输出灵敏度 (Cn)	mV/V	2 ± 0.1%		
Calibration in mV/V/Ω 数字标定精度	%Cn	≤ ± 0.05 (≤ ± 0.005)		
Accuracy class according to OIML R 60 精度等级		(GP)	C1	C3
Maximum number of verification intervals 最大检定分度数 (Nmax)		n.a.	1000	3000
Minimum load cell verification interval 最小检定分度 (Vmin)		n.a.	Emax/5000	Emax/10000
Combined error 综合误差	%Cn	≤ ± 0.040	≤ ± 0.030	≤ ± 0.020
Creep error (30 minutes)/DR 蠕变	%Cn	≤ ± 0.060	≤ ± 0.049	≤ ± 0.016
Temperature effect on minimum dead load output 零点温度系数	%Cn/°C	≤ ± 0.0040	≤ ± 0.0028	≤ ± 0.0014
Temperature effect on sensitivity 灵敏度温度系数	%/°C	≤ ± 0.0020	≤ ± 0.0016	≤ ± 0.0011
Excitation voltage 激励电压	V	5...15		
Zero balance 零点平衡	%Cn	≤ ± 5		
Input resistance 输入电阻	Ω	380 ± 10		
Output resistance 输出电阻	Ω	350 ± 3		



...the right weigh

Insulation resistance 绝缘电阻 (100 V DC)	MΩ	≥ 5000
Compensated temperature range 补偿温度范围	℃	-10...+40
Operating temperature range 工作温度范围	℃	-40...+80
Safe load limit 安全载荷限制 (Elim)	%Emax	200
Ultimate load 极限载荷	%Emax	300
Safe side load 安全侧载	%Emax	100
Load cell material 材料		stainless steel 17-4 PH (1.4548) 不锈钢
Sealing 密封		Hermetic sealing 全金属焊接密封
Protection according DIN 40.050 防护等级		IP 68

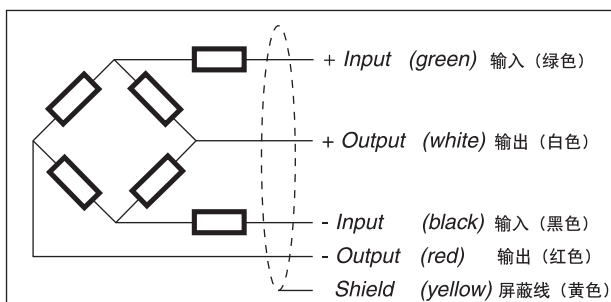
Dimensions 尺寸



* Torque value assumes oiled thread. 力矩值是适用在油螺纹情况下。

All dimensions in mm. 所有尺寸单位为: mm

接线图



Wiring

- The load cell is provided with a shielded, 6 conductor cable (AWG 26).
- Cable length: 3 m.
- Cable diameter: 5.8 mm.
- The shield is connected to the load cell body.

连线

- 称重传感器专用6芯屏蔽电缆线 (AWG 26)。
- 电缆长度: 3m.
- 电缆直径为: 5.8 mm
- 屏蔽线与称重传感器本体相连。