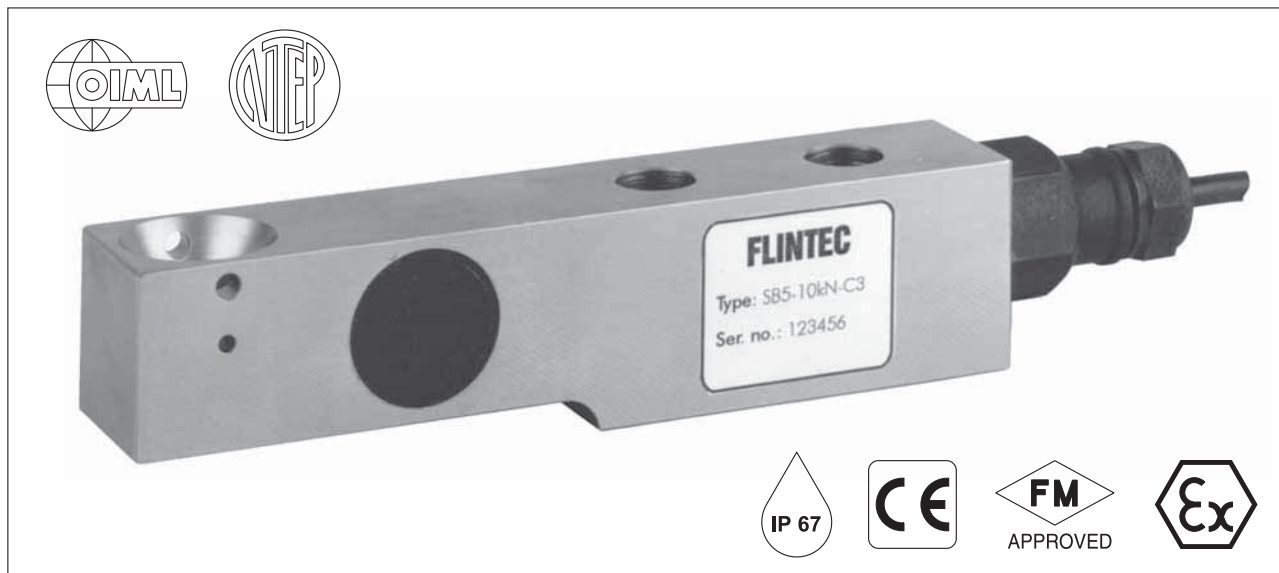




...the right weigh

Type SB5 Load Cell

SB5悬梁臂式称重传感器



Important Features

- Capacities: 5 kN to 100 kN
- High accuracy.
- Stainless steel construction.
- Protection IP 67.
- Low profile.
- High input resistance: 1100Ω.
- W&M certified for 3000 intervals(PTB: D09-97.03).
- Unique "blind" loading hole.
- Calibration in mV/V/Ω.
- Fully compatible with load cell type SB4.
- Factory Mutual approved.

Option

- Explosion protection zone 0, 1, 2 and 20, 21, 22ATEX.

选型

SB5	-量程	-防爆 (EX)
-----	-----	----------

主要特点

- 量程: 5kN到100kN
- 高精度
- 不锈钢结构
- 防护等级 IP67
- 较低外形
- 输入电阻高: 1100Ω, 替换方便。
- W&M认证, 3000分度。(PTB: D09-97.03).
- 盲孔安装
- 数字标定, 标定精度0.05%
- 与型号SB4完全兼容
- FM、OIML、NTEP、CE、FM、Ex认证

选项

- 防爆保护区域0, 1, 2和20, 21, 22ATEX

SB5 Specifications 技术参数

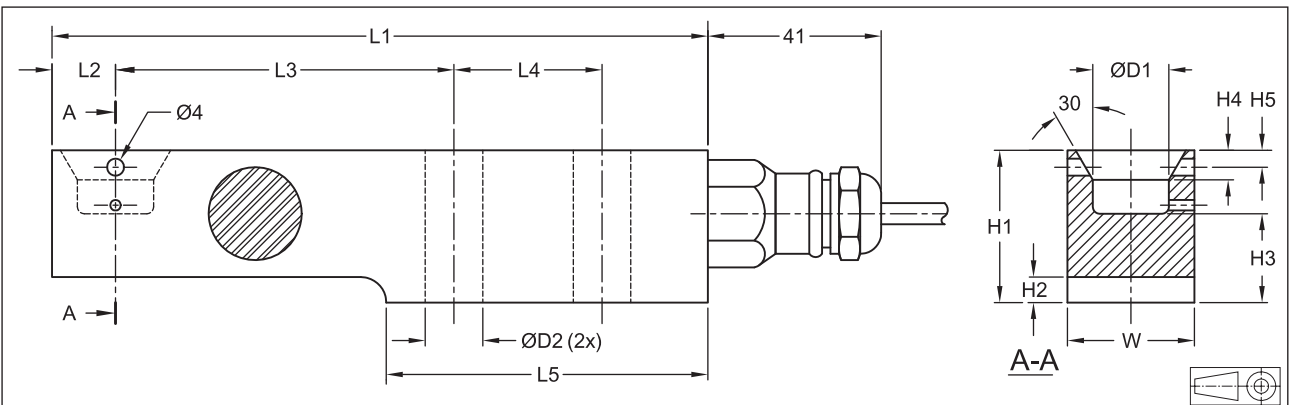
Maximum capacity 量程 (Emax)	kN	5/10/20/50/100	5/10/20/50	
Metric equivalent (IN=0.10197 kg)公制	kg	510/1020/2039/ 5099/10197	510/1020/ 2039/5099	
Rated Output 输出灵敏度 (Cn)	mV/V	2 ± 0.1%		
Calibration in mV/V/Ω 数字标定精度	%Cn	≤ ± 0.05 (≤ ± 0.005)		
Accuracy class according to OIML R 60 精度等级		(GP)	C1	C3
Maximum number of verification intervals 最大检定分度数(Nmax)		n.a.	1000	3000
Minimum load cell verification interval 最小检定分度 (Vmin)		n.a.	Emax/5100	Emax/10200
Combined error 综合误差	%Cn	≤ ± 0.040	≤ ± 0.030	≤ ± 0.020
Creep error (30 minutes)/DR 蠕变 (30分钟)	%Cn	≤ ± 0.060	≤ ± 0.049	≤ ± 0.016



...the right weigh

Temperature effect on minimum dead load output 零点温度系数	%Cn/°C	≤ ± 0.0040	≤ ± 0.0028	≤ ± 0.012
Temperature effect on sensitivity 灵敏度温度系数	%/°C	≤ ± 0.0020	≤ ± 0.0016	≤ ± 0.0011
Excitation voltage 激励电压	V	5...15		
Zero balance 零点平衡	%Cn	≤ ± 5		
Input resistance 输入电阻	Ω	1100 ± 50		
Output resistance 输出电阻	Ω	1000 ± 2		
Insulation resistance 绝缘电阻 (100 V DC)	MΩ	≥ 5000		
Compensated temperature range 补偿温度范围	°C	-10...+40		
Operating temperature range 工作温度范围	°C	-20...+65		
Safe load limit 安全载荷限制 (Elim)	%Emax	200		
Ultimate load 极限载荷	%Emax	300		
Safe side load 安全侧载	%Emax	100		
Load cell material 材料		stainless steel 17-4 PH (1.4548) 不锈钢		
Sealing 密封		Potted 胶封		
Protection according DIN 40.050 防护等级		IP 67		

Dimensions 尺寸

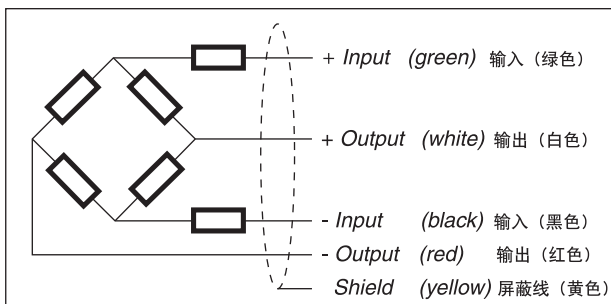


型号	L1	L2	L3	L4	L5	H1	H2	H3	H4	H5	W	D1	D2	装配螺栓	力矩
SB5-5 kN/10 kN/20 kN	155	15	80	35	76	36	6	21	7	4	30	18	13	M12 8.8	90 Nm
SB5-50 kN	190	21	105	40	93	49	8	28.5	6	8	43	25	21	M20 8.8	400 Nm
SB5-100 kN	245	30	135	50	120	73	12.5	42	10	n.a.	60	30	27	M24 8.8	700 Nm

All dimensions in mm. 所有尺寸单位为mm.

* Torque values assume oiled threads. 力矩值适用在油螺纹下。

接线图



Wiring

- The load cell is provided with a shielded, 4 conductor cable (AWG 24). Cable jacket polyurethane.
- Cable length: 3 m for SB5-5 kN/10 kN/20 kN, 4.5 m for SB5-50 kN/100 kN.
- Cable diameter: 5 mm.
- The shield is floating (On request the shield can be connected to the load cell body).

连线

- 称重传感器专用4芯屏蔽电缆线 (AWG 24)
- 电缆长度: 对于SB5-5 kN/10 kN/20 kN 为3m.对于SB5-50 kN/100 kN为4.5m.
- 电缆直径为: 5 mm
- 屏蔽线悬浮 (如果要求, 屏蔽可与称重传感器本体相连)