



...the right weigh

Type SB2 Load Cell SB2称重传感器



Important Features

- Capacities 45000 to 100000 lb.
- High accuracy.
- Complete hermetic sealing.
- Protection IP 68.
- W&M certified for 3000 intervals (PTB: D09-03.04).
- Unique "blind" loading hole.
- Calibration in mV/V/Ω.
- Factory Mutual approved.

Option

- Explosion protection zone 0, 1, 2 and 20, 21, 22 ATEX.

主要特点

- 量程：45000 到100000 lb
- 高精度
- 全金属焊接密封
- 防护等级IP68
- W&M认证,3000分度(PTB: D09-03.04).
- 盲孔安装
- 数字标定，标定精度0.05%
- FM、OIML、NTEP、CE、FM、Ex认证

附件

- 防爆保护区0, 1, 2和20, 21, 22 ATEX

SB2 Specifications 技术参数

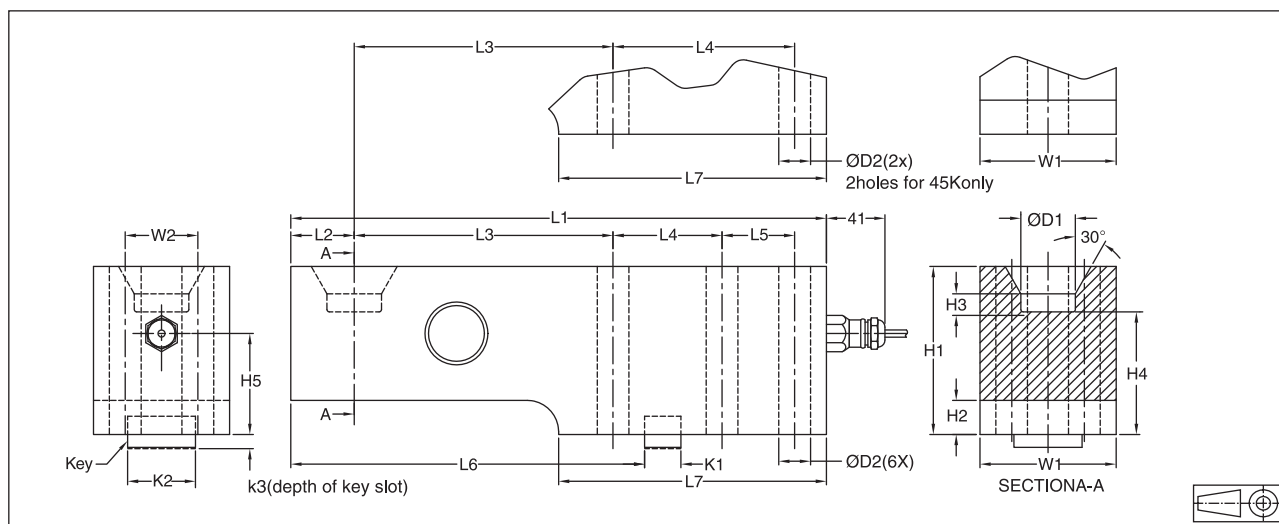
Maximum capacity 量程(Emax)	lb	45000/75000/100000		
Metric equivalents (approx.) 公制	kg	20412/34020/45360		
Rated Output 输出灵敏度 (Cn)	mV/V	2 ± 0.1%		
Calibration in mV/V/Ω 数字标定精度	%Cn	≤ ± 0.05 (≤ ± 0.005)		
Accuracy class according to OIML R 60 精度等级		(GP)	C1	C3
Maximum number of verification intervals 最大检定分度数 (Nmax)		n.a.	1000	3000
Minimum load cell verification interval 最小检定分度 (Vmin)		n.a.	Emax/5100	Emax/11200
Combined error 综合误差	%Cn	≤ ± 0.040	≤ ± 0.030	≤ ± 0.020
Creep error (30 minutes)/DR 蠕变	%Cn	≤ ± 0.060	≤ ± 0.049	≤ ± 0.016
Temperature effect on minimum dead load output 零点温度系数	%Cn/°C	≤ ± 0.0040	≤ ± 0.0028	≤ ± 0.0012
Temperature effect on sensitivity 灵敏度温度系数	%/°C	≤ ± 0.0020	≤ ± 0.0015	≤ ± 0.0011



...the right weigh

Excitation voltage 激励电压	V	5...15
Zero balance 零点平衡	%Cn	≤ ± 5
Input resistance 输入电阻	Ω	385 ± 20
Output resistance 输出电阻	Ω	351 ± 1
Insulation resistance 绝缘电阻 (100V DC)	MΩ	≥ 5000
Compensated temperature range 补偿温度范围	℃	-10...+40
Operating temperature range 工作温度范围	℃	-40...+80
Safe load limit 安全载荷限制 (Elim)	%Emax	200
Ultimate load 极限载荷	%Emax	300
Safe side load 安全侧载	%Emax	100
Load cell material 材料		tool steel; painted 工具钢
Sealing 密封		complete hermetic sealing; 全金属焊接密封
Protection according DIN 40.050 防护等级		IP 68

Dimensions 尺寸

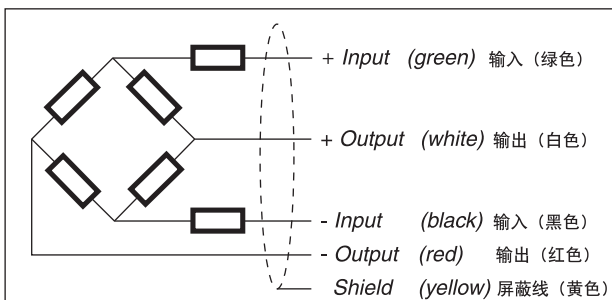


量程	L1	L2	L3	L4	L5	L6	L7	H1	H2	H3	H4	H5	W1	W2	D1	D2	K1	K2	K3	螺栓	力矩
SB2-45klb	318	38	159	89	n.a.	n.a.	159	95	27	12	73	61	70	n.a.	38.1	31	n.a.	n.a.	n.a.	M30/8.8	1500Nm
SB2-45klb	318	38	159	89	n.a.	n.a.	148	82	12	12	58	47	70	n.a.	38.1	21	n.a.	n.a.	n.a.	M30/8.8	1500Nm
SB2-75klb	375	44	181	76	51	248	187	118	24	13	86	71	95	51	38.1	22	25.4	47.6	10	M20/8.8	430Nm
SB2-100klb	416	48	197	92	54	276	210	143	41	14	111	92	95	54	50.8	27	25.4	47.6	10	M24/8.8	750Nm

All dimensions in mm. 所有尺寸单位mm.

* Torque values assume oiled threads. 力矩值是适用在油螺纹的情况下。

接线图



Wiring

- The load cell is provided with a shielded, 4 conductor cable (AWG 20). Cable jacket polyurethane.
- Cable length: 9.1 m for 45 klb, 10.7 m for 75 and 100 klb.
- Cable diameter: 7.6 mm.
- The shield is floating (On request the shield can be connected to the load cell body).

连线

- 称重传感器带屏蔽线，4线制电缆（AWG 20）。
- 电缆长度：对于45klb为9.1m.对于75和100klb为10.7m
- 电缆直径为：7.6 mm
- 屏蔽线悬浮（如果要求，屏蔽可与称重传感器本体相连）