



Allows mounting up to five (5) sensors for multi-axis acceleration and/or inclination measurements.

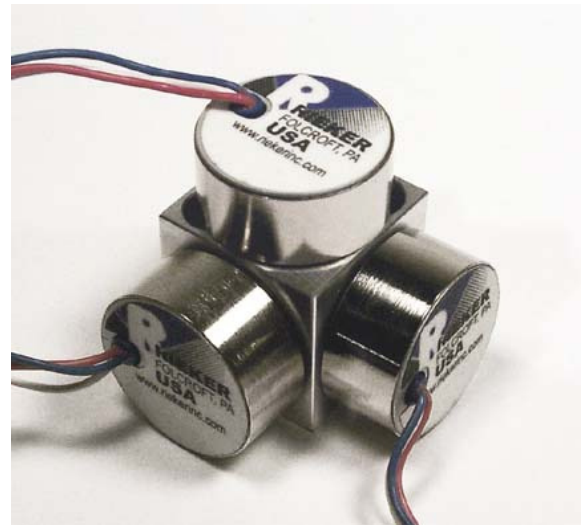
Available in Delrin (POM) plastic or Aluminum.

Compatible with the following Seika sensors:

- NB3 Incliniometer
- B1, B2, and B3 Accelerometers

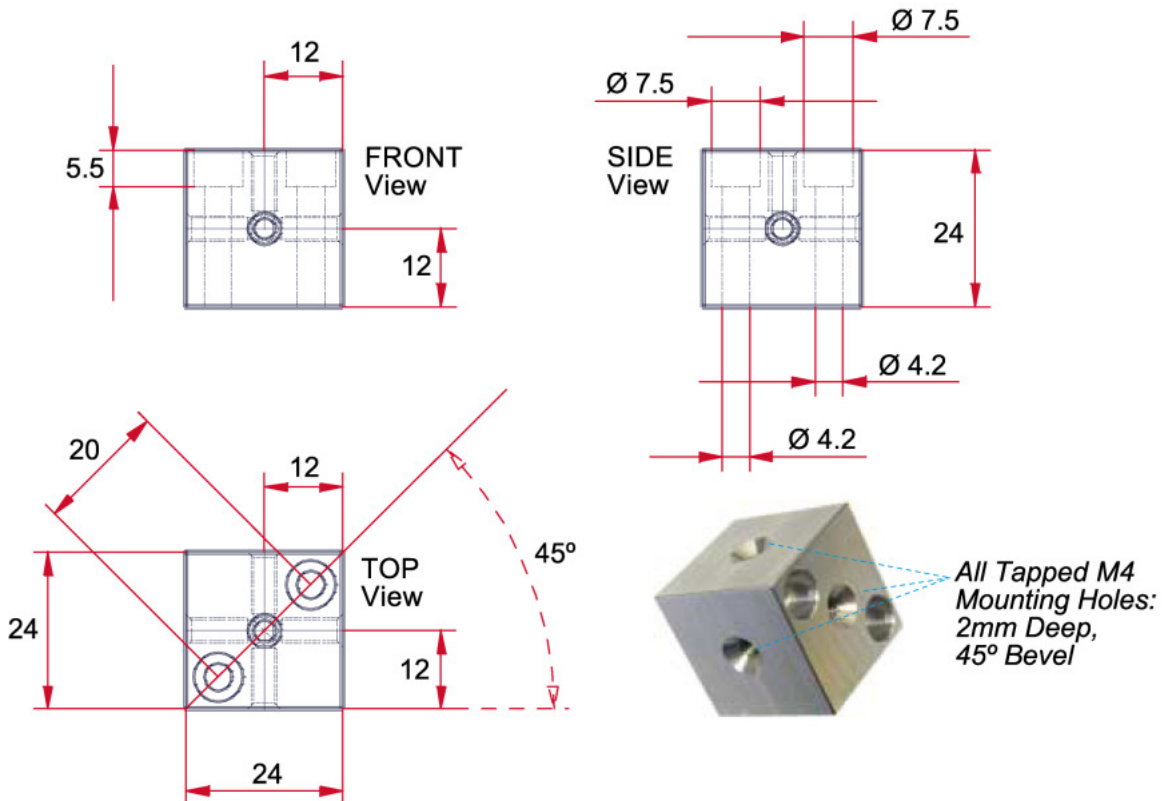
Note:

- Sensors sold separately
- *Sensor must be ordered with the M4 mounting stud option.*



TECHNICAL DATA		
PART NUMBER	MATERIAL	WEIGHT
BS24	Plastic (Poly oxymethyl ene)	.65 Ounces (18.5 Grams)
BS24-A	Aluminum	1.13 Ounces (32 Grams)

Figure 1: BS24 Dimensions (in millimeters)



The information and material presented may not be published, broadcast, rewritten, or redistributed without the expressed written consent of Rieker® Inc. The content presented is provided for informational purposes only and subject to change. ©2002-2012 Rieker® Inc. All Rights Reserved. FORM NUMBER: SK0003_06/03 UPDATED: 03/12

34 MOUNT PLEASANT ROAD • ASTON • PA • 19014 • USA