

## Four Channel Thermopile Detector TS4x200B-A-S1.5

Thermopile quad-detector based on thin film technology with narrow band filters for gas analysis.

Active Area	4 x (1.2 x 1.2)	mm <sup>2</sup>
Aperture	4 x (1.5 x 1.5)	mm <sup>2</sup>
Number of Thermocouples per Channel	200	
Time Constant $t_{(0-63\%)}^1$	typ. 30	ms
DC Output Voltage <sup>1</sup>	typ. 5.5	mV
DC Sensitivity <sup>1</sup>	typ. 100	V/W
Temperature Coefficient of Sensitivity <sup>2</sup>	typ. -0.4	%/K
Noise Voltage <sup>3</sup>	typ. 33	nV/Hz <sup>1/2</sup>
Noise Equivalent Power NEP <sup>1</sup>	typ. 0.33	nW/Hz <sup>1/2</sup>
Specific Detectivity D* <sup>1</sup>	typ. 3.6 x 10 <sup>8</sup>	cmHz <sup>1/2</sup> /W
Resistance of Thermopile <sup>3</sup>	65 ± 15	kΩ
Temperature Coefficient of Resistance <sup>2</sup>	typ. -0.03	%/K
Thermistor	1 - PTC Ni1000 2 - NTC 30k 3 - NTC 100k  Technical specifications see document "thermistors".	
Filling Gas <sup>4</sup>	N <sub>2</sub> / Kr	
Filters	All MHE standard narrow band pass filters can be combined. Customized filters on request. For more information please see document "infrared filters".	
Operation Temperature	-20 ... +70	°C
Mass	1	g
Housing	T039 (modified)	

<sup>1</sup> on air without windows, Blackbody T=500 K; E=38 W/m<sup>2</sup>

<sup>2</sup> in temperature range from +25 to +70 °C

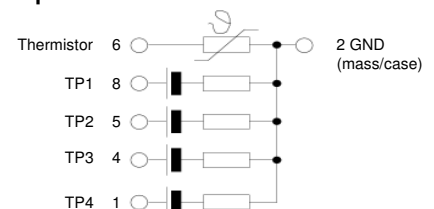
<sup>3</sup> at T<sub>amb</sub>=25 °C

<sup>4</sup> in case of Kr-filling increase of DC Output Voltage, DC Sensitivity, Specific Detectivity and Time Constant by the factor 1.8. Decrease of NEP by the same factor. Other gases on customer's request.

March 14<sup>th</sup> 2011 - subject to change without notice



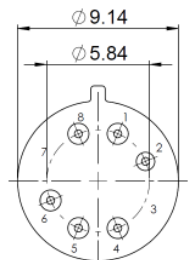
### Equivalent Circuit



### Bottom View

Pin Assignment:

- Pin 1 Output TP4
- Pin 2 Mass (GND)
- Pin 4 Output TP3
- Pin 5 Output TP2
- Pin 6 Thermistor
- Pin 8 Output TP1



### Ordering Information:

TS4x200B-A-S1.5 - Thermistor (F) - Backfill Gas (GG) - Filters (H/H/H/H)  
 f.e. TS4x200B-A-S1.5-1-Kr- E1/F1/G1/D1

**Micro-Hybrid Electronic GmbH**

Heinrich-Hertz-Straße 8  
 D-07629 Hermsdorf

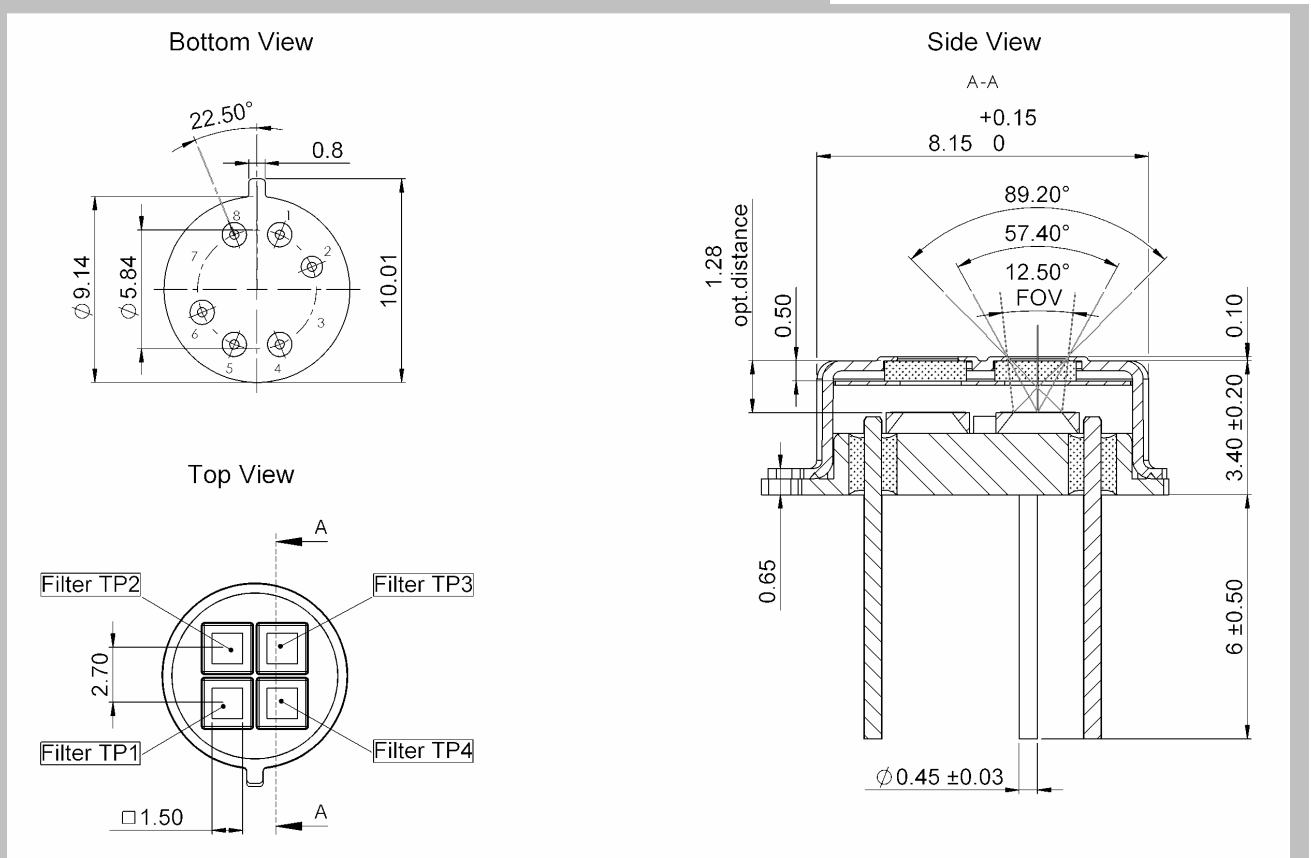
Tel +49 366 01 592 100  
 Fax +49 366 01 592 110

Email: [infrared@micro-hybrid.de](mailto:infrared@micro-hybrid.de)  
 Web: [www.micro-hybrid.de](http://www.micro-hybrid.de)

**LIVING MICROWORLDS.**



## Housing T039 package



### Optional parts:

IR-Source JSIR 350 - Fast IR emitter based on thin film technology  
Art.-Nr. 6351.01-3.01

IR-Source JSIR 450 - Broadband IR emitters high performance for heavily absorbing media  
Art.-Nr. 6350.01-3.01

**Micro-Hybrid Electronic GmbH**

Heinrich-Hertz-Straße 8  
D-07629 Hermsdorf

Tel +49 366 01 592 100  
Fax +49 366 01 592 110

Email: [infrared@micro-hybrid.de](mailto:infrared@micro-hybrid.de)  
Web: [www.micro-hybrid.de](http://www.micro-hybrid.de)

March 14<sup>th</sup> 2011 - subject to change without notice

**LIVING MICROWORLDS.**