

One Channel Thermopile Detector TS1x80B-A-D0.75-...-180

Thermopile Detector based on thin film technology with a small active area recommended for temperature measurements with a band pass filter (8-14 μm) in high temperature ambient.

Active Area	$\varnothing 0.5$	mm
Aperture	$\varnothing 0.75$	mm
Number of Thermocouples	80	
Time Constant $t_{(0-63\%)}^1$	typ. 36	ms
DC Output Voltage ¹	typ. 2.2	mV
DC Sensitivity ¹	typ. 295	V/W
Temperature Coefficient of Sensitivity ²	typ. -0.4	%/K
Noise Voltage ³	typ. 18	nV/Hz ^{1/2}
Noise Equivalent Power NEP ¹	typ. 0.06	nW/Hz ^{1/2}
Specific Detectivity D^*^1	typ. 7.2×10^8	cmHz ^{1/2} /W
Resistance of Thermopile ³	20 ± 8	k Ω
Temperature Coefficient of Resistance ²	typ. -0.03	%/K
Thermistor	0 – no thermistor Customer specific solution on request.	
Filling Gas ⁴	N ₂ / Kr	
Filters	Micro-Hybrid standard band pass filters (f.e. 8-14 μm) and more information please see document "infrared filters". Customized filters possible on request.	
Operation Temperature	-20 ... +180	°C
Mass	1	g
Housing	TO39 (modified)	

¹ on air without windows, Blackbody T=500 K; E=38 W/m²

² temperature range from +25 to +70°C

³ at T_{amb}=25 °C

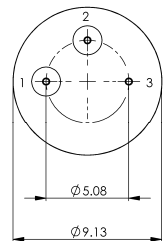
⁴ In case of Kr-filling increase of DC Output Voltage, DC Sensitivity, Specific Detectivity and Time Constant by the factor 1.8. Decrease of NEP by the same factor. Other gases on customer's request.



Bottom View

Pin Assignment:

- Pin 1 Output TP+
- Pin 2 Output TP-
- Pin 3 GND



Ordering Information:

TS1x80B-A-D0.75 – Thermistor (F) – Backfill Gas (GG) – Filter (H) – Extended Temperature Range (III)

e.g. TS1x80B-A-D0.75-0-Kr-B1-180

Micro-Hybrid Electronic GmbH

Heinrich-Hertz-Straße 8
D-07629 Hermsdorf

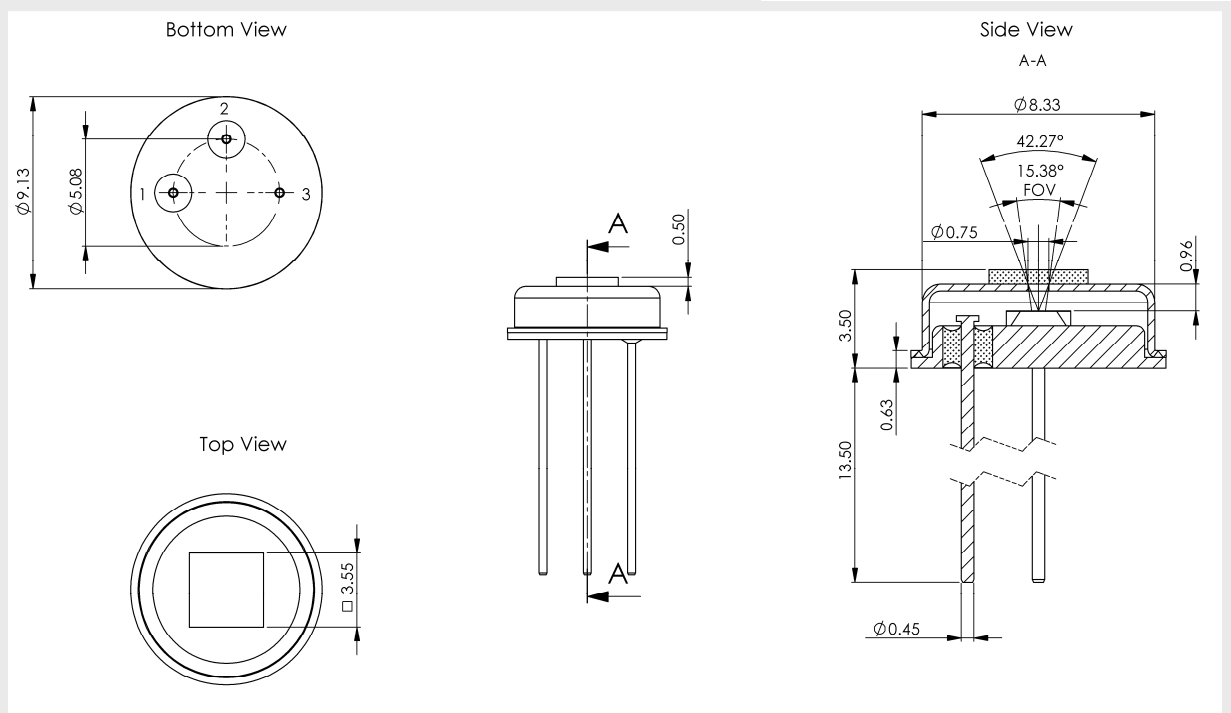
Tel +49 366 01 592 100
Fax +49 366 01 592 110

Email: infrared@micro-hybrid.de
Web: www.micro-hybrid.de

LIVING MICROWORLDS.

One Channel Thermopile Detector TS1x80B-A-D0.75-...-180

Housing
TO39 package



Optional parts:

IR-Source JSIR 350 - Fast IR emitter based on thin film technology
Art.-Nr. 6351.01-3.01

IR-Source JSIR 450 - Spiral wound broadband IR emitter
Art.-Nr. 6350.01-3.01

Micro-Hybrid Electronic GmbH

Heinrich-Hertz-Straße 8
D-07629 Hermsdorf

Tel +49 366 01 592 100
Fax +49 366 01 592 110

Email: infrared@micro-hybrid.de
Web: www.micro-hybrid.de

July 18th 2011 – subject to change without notice

LIVING MICROWORLDS.