



HYT 271

Digital Humidity and Temperature Module

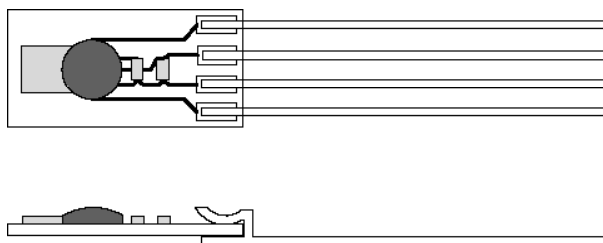


Optimal for all general purpose humidity applications

Benefits & Characteristics

- Fast response time
- High chemical resistance
- Very low drift
- Very stable at high humidity
- Excellent humidity/temperature accuracy and stability
- Wide humidity and temperature range
- I²C protocol (address 0x28 or alternative address)
- Interchangeable without adjustments

Illustration¹⁾



1) For actual size, see mechanical dimensions

Technical Data

Operating temperature range:	-40 °C to +125 °C
Operating humidity range:	0 % RH to 100 % RH
Hysteresis:	< ±1 % RH
Linearity error:	< ±1 % RH
Temperature error:	0.05 % RH/K (0 °C to +60 °C)
Operating voltage:	2.7 V to 5.5 V
Current consumption (nominal):	< 22 µA at 1 Hz measuring rate; 850 µA max.
Current consumption (sleep):	< 1 µA
Digital interface:	I ² C, address 0x28 or alternative address
Operating voltage (limits):	-0.3 V to 6 V
Storage conditions:	-20 °C to +50 °C

	Humidity	Temperature
Accuracy :	±1.8 % RH at +23 °C (0 % RH to 90 % RH)	±0.2 K (0 °C to +60 °C)
Reproducibility:	±0.2 % RH	±0.1 K
Resolution:	0.03 % RH	0.015 °C
Response time t_{63} :	< 4 s	< 5 s
Long-term drift:	< 0.5 % RH/a	< 0.05 K/a
Measuring principle:	Capacitive polymer humidity sensor	PTAT (integrated)



HYT 271

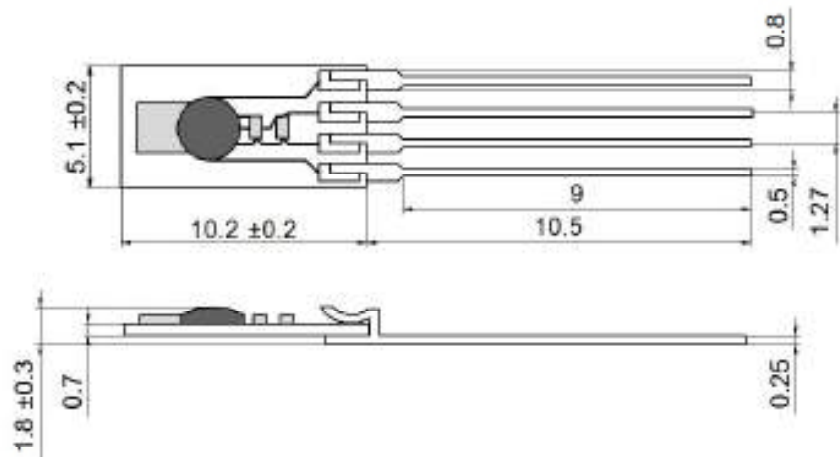
Digital Humidity and Temperature Module



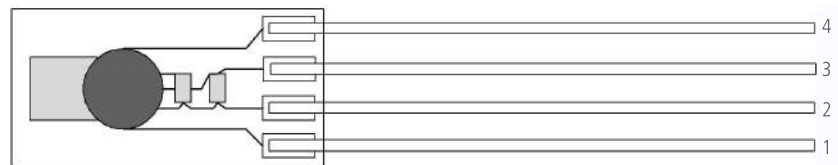
INNOVATIVE SENSOR TECHNOLOGY

Optimal for all general purpose humidity applications

Mechanical Dimensions



Pin Assignment



1	2	3	4
SDA	GND	VDD	SCL

Order Information

Order code	HYT 271 150.00066
------------	----------------------

Additional Electronics

LabKit:	Document name: DHHYTLabKit_E
LCD module:	DHLCD-Modul_E



HUMIDITY



TEMPERATURE



FLOW



CONDUCTIVITY

HYT 271

Digitales Feuchte- und Temperaturmodul Optimal für diverse Feuchteapplikationen



INNOVATIVE SENSOR TECHNOLOGY

Additional Documents

Application Note:

Document name:

AHHYTM_E



INNOVATIVE SENSOR TECHNOLOGY

Innovative Sensor Technology IST AG, Stegrütistrasse 14, CH-9642 Ebnat-Kappel, Switzerland,
Phone: +41 (0) 71 992 01 00 | Fax: +41 (0) 71 992 01 99 | E-mail: info@ist-ag.com | Web: www.ist-ag.com



All mechanical dimensions are valid at 25 °C ambient temperature, if not differently indicated • All data except the mechanical dimensions only have information purposes and are not to be understood as assured characteristics • Technical changes without previous announcement as well as mistakes reserved • The information on this data sheet was examined carefully and will be accepted as correct; No liability in case of mistakes • Load with extreme values during a longer period can affect the reliability • The material contained herein may not be reproduced, adapted, merged, translated, stored, or used without the prior written consent of the copyright owner • Typing errors and mistakes reserved • Product specifications are subject to change without notice • All rights reserved