

SiC - photodiode JEC 4



- characteristics :**
- ◆ spectral range 210 ... 380 nm
 - ◆ active area 4 mm²
 - ◆ high UV - response 150 mAW
 - ◆ TO 39-package
 - ◆ components are in conformity with RoHS and WEEE

- applications :**
- ◆ UV-measurement only
 - ◆ UV-source control (for instance in sterilizers)
 - ◆ flamedetection

maximum ratings:

maximum reverse voltage	20	V
operating temperature range	- 25 °C ... 70	°C
storage temperature range	-40 °C ... 100	°C
soldering temperature (3s)	260	°C

technical data :

test conditions, as not otherwise specified: $\gamma_a = 25 \text{ °C}$, $V_R = 0V$

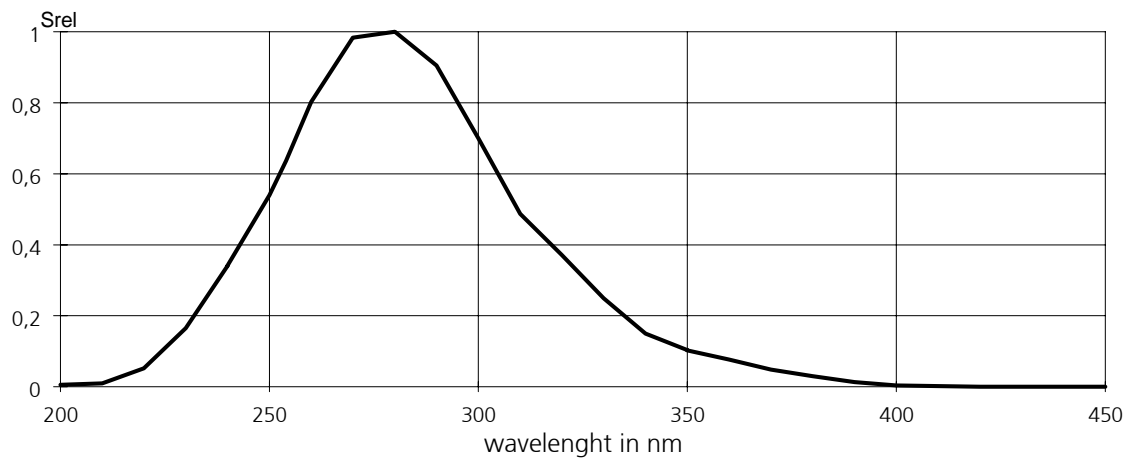
parameters	test conditions	min.	typ.	max.	unit
active area			2 x 2		mm ²
spectral range		210		380	nm
maximum of spectral responsivity	$\lambda_{\max} = 275 \text{ nm}$		0,15		A/W
absolute spectral responsivity	$\lambda = 254 \text{ nm}$		0,13		A/W
dark current I_R	$V_R = 1 \text{ V}$		100		fA
capacitance			800		pF

rev 2 (03/2009)

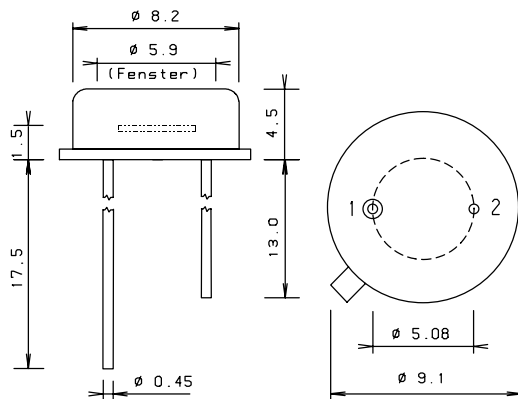
D
A
T
A

S
H
E
E
T

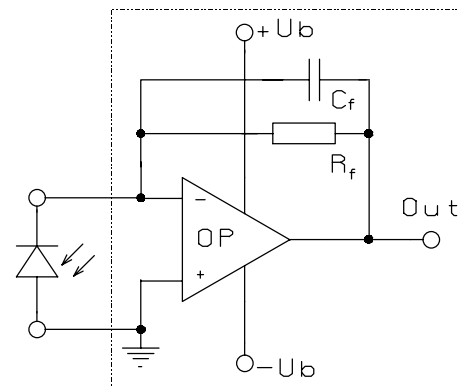
relative spectral response



package dimensions



application example



- 1 Kathode
- 2 Anode & Case