

Medical Pressure Solution



Application Products

- FOP-MIV sensor
- FPI-HR module
- EVOLUTION chassis

Key Features

- High accuracy
- EM/RF/MW interference complete immunity
- Miniature and rugged sensor for in situ pressure measurements

Specifications

PRESSURE RANGE OPTION	R1	R2
Pressure range ¹	-300 mmHg to 300 mmHg	-300 mmHg to 7500 mmHg
Sensitivity thermal effect	-0.05% / °C	0.15% / °C
Zero thermal effect	-0.4 mmHg / °C	3 mmHg / °C
Proof pressure	>4000 mmHg (0.53 MPa)	22 500 mmHg (3 MPa)
Accuracy	1.5% Full scale ²	0.1% ³
Resolution	<0.3 mmHg (40 Pa)	2.6 mmHg (0.34 kPa)
Sampling rate	Up to 250 Hz per module	Up to 250 Hz per module
Power consumption	5 Watts	5 Watts
Analog output (Optional)	0 to 5V or 4-20 mA / 16 bits resolution	0 to 5V or 4-20 mA / 16 bits resolution
Operating temperature	10°C to 50°C	10°C to 50°C
Storage temperature	-30°C to 80°C	-30°C to 80°C
Connector	SCAI ⁴ , SCA (ST optional)	SCAI ⁴ , SCA (ST optional)
Fiber core size	62.5/125µm (50/125µm optional)	62.5/125µm (50/125µm optional)
Number of channel(s)	1 or 2	1 or 2
Communication / Evolution chassis	USB via EVO chassis / TS 35 DIN RAIL	USB via EVO chassis / TS 35 DIN RAIL
Communication/OEM	RS-232 / RS-485	RS-232 / RS-485
LED sensor signal and communication diagnostic	Yes	Yes

1. Relative to atmospheric pressure

2. Or ± 1 mmHg, whichever is greater

3. Or ± 8 mmHg, whichever is greater

4. SCAI is an SCA connector with smart chip communicating calibration data to signal conditioner module

FOP-MIV

FPI-HR Module

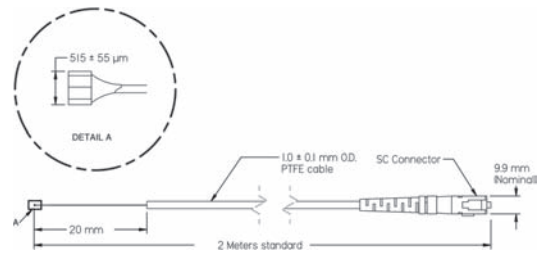


Applications

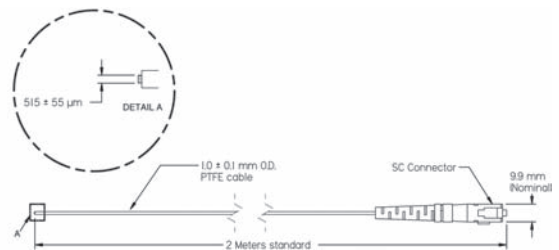
- **Laboratory**
 - Preclinical studies
 - Animal testing
 - Pharmacology
- **Medical**
 - Cardiology
 - Neurology
 - Anaesthesiology
 - Pneumology
 - Gastroenterology
 - Urology
 - Gynecology
 - Ophthalmology
 - Electrosurgery
 - Thermal therapy
 - Preclinical studies
 - MRI and other RFI environments
- **OEM products**
 - Custom design for embedment in diagnostics or therapeutic medical devices
 - High volume / low cost available sensors
 - Proven high volume automated production facilities and practices complying with recognized medical authorities
 - Computerized product testing in assembly line

FOP-M Dimensions

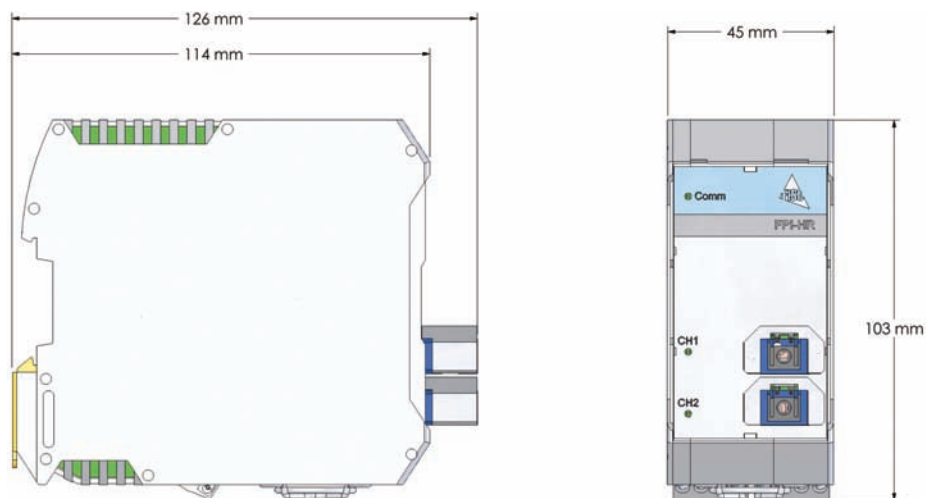
FOP-MIV-BA Model



FOP-MIV-PK Model



FPI-HR Module Dimensions

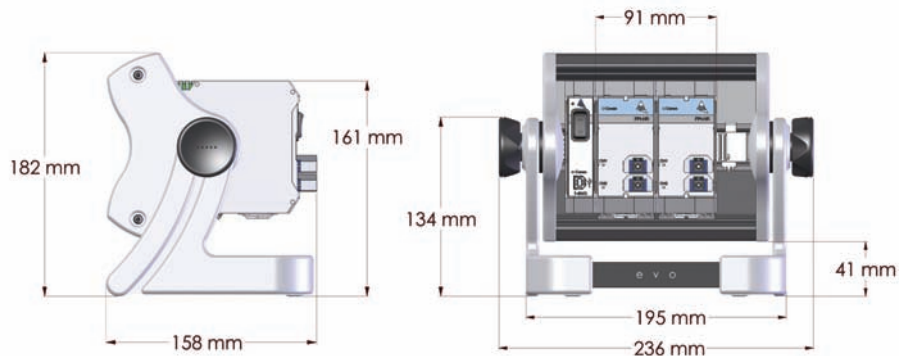


Specifications

	EVOLUTION EVO-SD-2	EVOLUTION EVO-SD-5	EVOLUTION EVO-HMI-3 (Coming Soon)	EVOLUTION EVO-RM-8 Rackmount
Display	—	—	LCD WVGA (800 × 480) Touchscreen	—
Communication	USB Expansion RS-485	USB Expansion RS-485	USB Ethernet Gbits Expansion RS-485	USB Expansion RS-485
Data logging memory	Via computer	Via computer	Internal, SD, USB slave	Via computer
Number of modules	Up to 2	Up to 5	Up to 3	Up to 8
Expansion chassis	EVO-SD-5	EVO-SD-5	EVO-SD-5	EVO-RM-8
Power supply	24VDC 70W	24VDC 70W	24VDC 70W	24VDC 70W

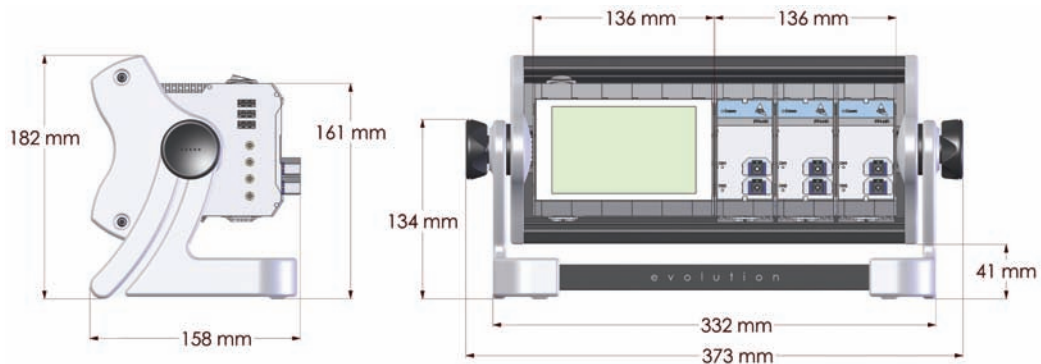
Evolution Chassis Dimensions

EVO-SD-2 Model



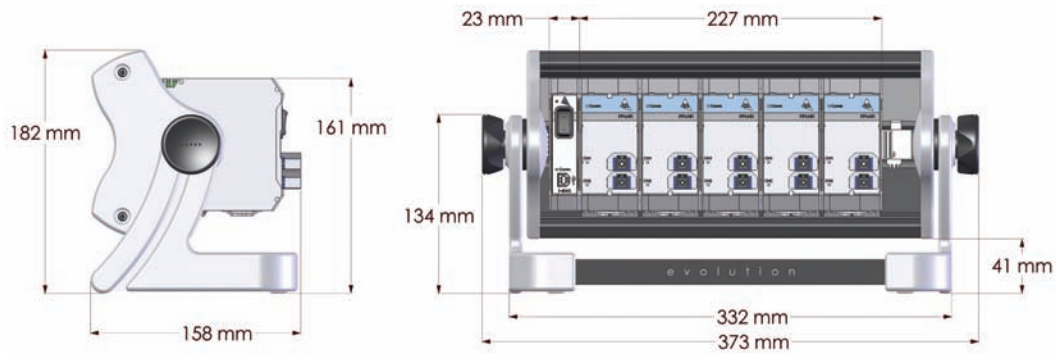
EVO-HMI-3 Model

COMING SOON



Evolution Chassis Dimensions

EVO-SD-5 Model



EVO-SD-5-EXP-Cable Model



EVO-RM-8 Model

