

# SM2

## Miniature String Pot • Voltage Divider Output

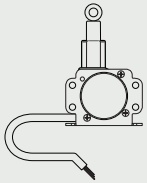
Linear Position to 25 inches (635 mm)

Fits In Tight Spaces • Handy Mounting Bracket

Polycarbonate Enclosure • Free Release Tolerant

**In Stock for Quick Delivery!**

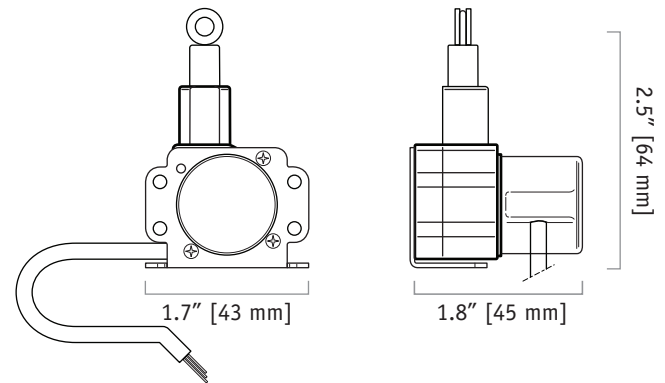
| Order No.     | full stroke range | accuracy (% of f.s.) | cycle life  |
|---------------|-------------------|----------------------|-------------|
| <b>SM2-2</b>  | 2.5 in (64 mm)    | 1.00%                | 2.5M cycles |
| <b>SM2-7</b>  | 7.5 in (191 mm)   | 0.25%                | 500K cycles |
| <b>SM2-12</b> | 12.5 in (318 mm)  | 0.25%                | 500K cycles |
| <b>SM2-25</b> | 25 in (635 mm)    | 0.25%                | 250K cycles |



includes sensor & mounting bracket.

### SPECIFICATIONS

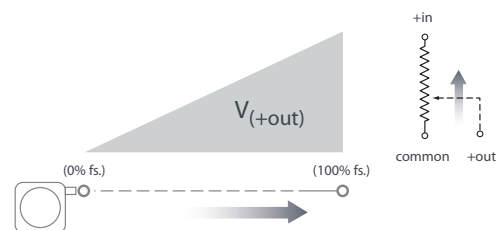
|   |  |
|---|--|
| Available Stroke Ranges                     | 2.5, 7.5, 12.5, 25 inches                        |
| Output Signal                               | voltage divider (potentiometric)                 |
| Accuracy                                    | .25% to 1% FS. (see ordering info)               |
| Repeatability                               | .05% FS.   |
| Resolution                                  | essentially infinite                             |
| Measuring Cable                             | .014-inch dia. nylon-coated stainless steel      |
| Maximum Acceleration                        | 15 g (retraction)                                |
| Measuring Cable Tension                     | 5.1 oz. (1.4 N) ±30%                             |
| Sensor                                      | plastic-hybrid precision potentiometer           |
| Input Resistance                            | 10K ohms, ±10%                                   |
| Power Rating, Watts                         | 2.0 at 70°F derated to 0 at 250°                 |
| Recommended Maximum Input Voltage           | 30 V (AC/DC)                                     |
| Output Signal Change Over Full Stroke Range | 94% ±4% of V(+in)                                |
| Cycle Life                                  | see ordering information                         |
| Electrical Connection                       | 40 inch (1 m), 24 ga. shielded 3-conductor cable |
| Enclosure                                   | glass-filled polycarbonate                       |
| Environmental                               | IP 50  |
| Operating Temperature                       | 0° to 160° F (-18° to 70° C)                     |
| Weight (not including bracket)              | 3 oz (90 g)                                      |



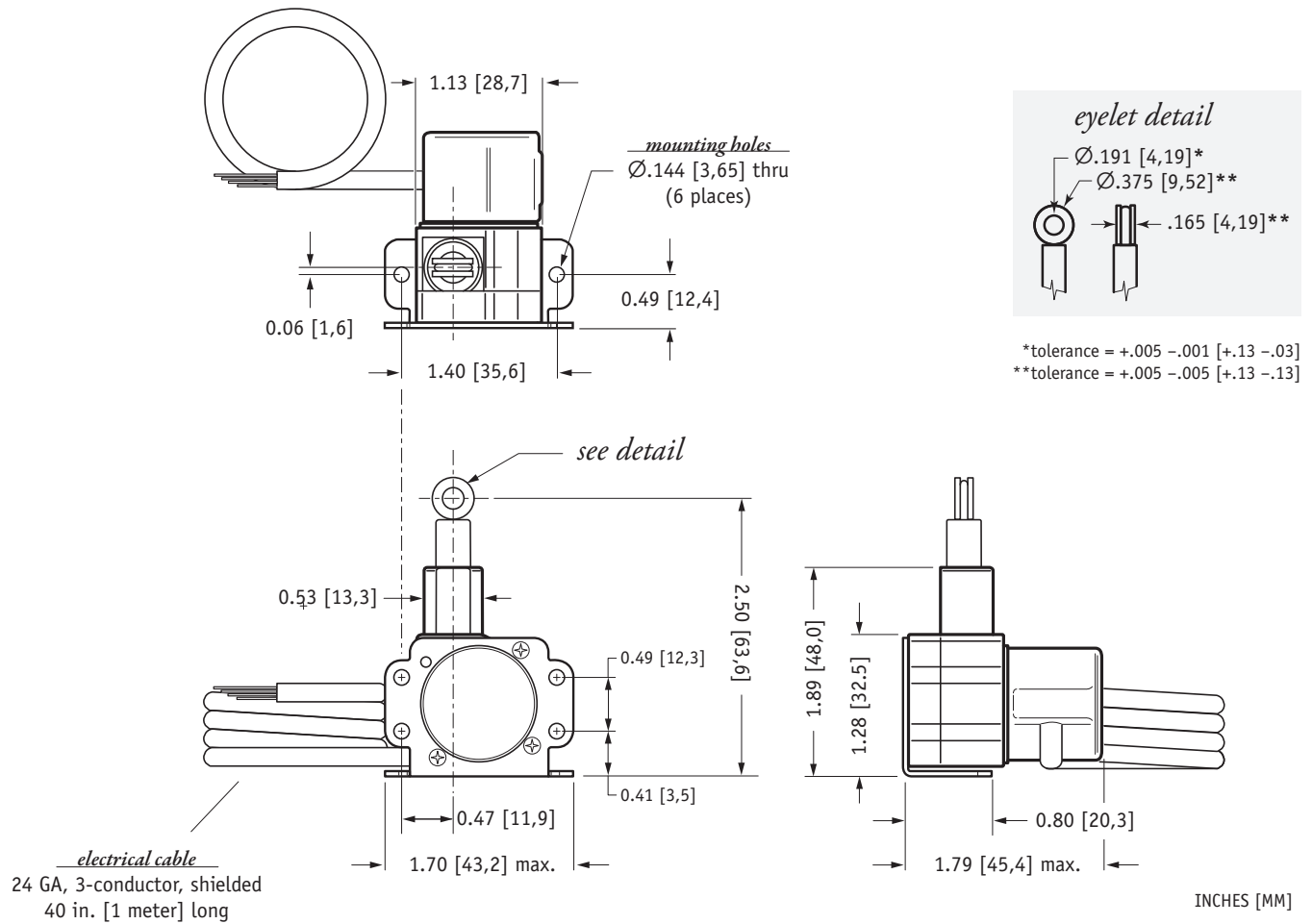
Just like the SM1, the SM2 is the perfect sensing solution when tight space is an issue. With its rugged compact design, handy mounting bracket and a 40-inch electrical cable for easy signal connection, the SM2 is the perfect solution for the OEM and single piece users alike.

At just a little over an inch across, this miniature stringpot offers full stroke measurement ranges from 2½ to 25 inches. A precision plastic hybrid 10K-ohm potentiometer delivers a voltage divider output signal that is linearly proportional to the travel of the spring-loaded measuring cable.

### Output Signal:

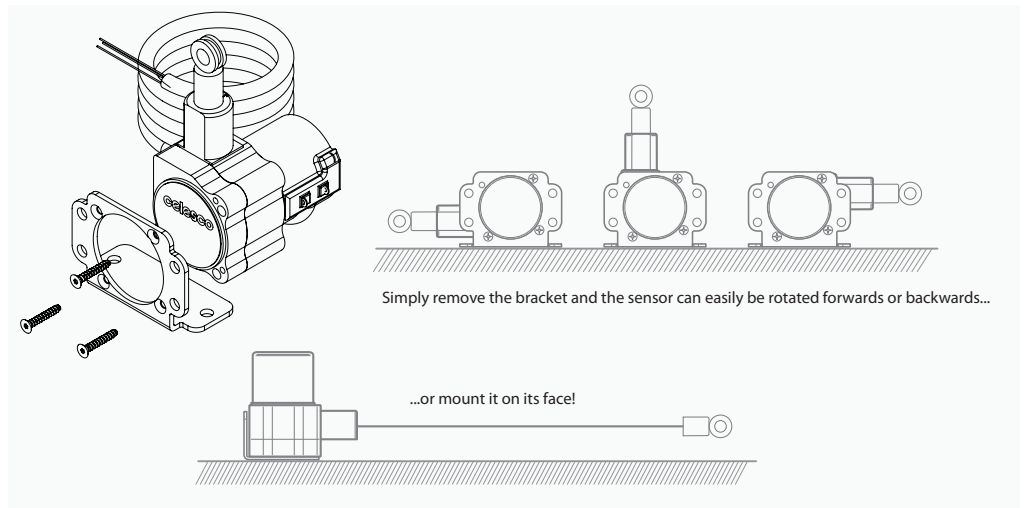
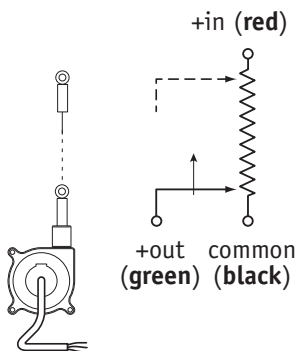


Outline Drawing (w/bracket):

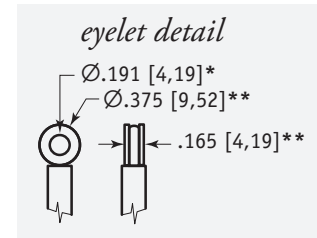
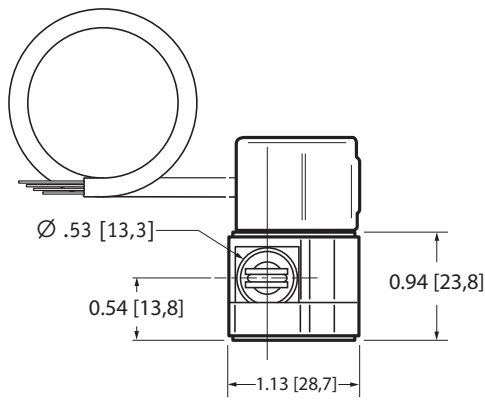


Electrical Connection:

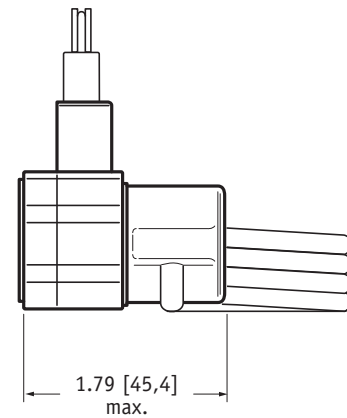
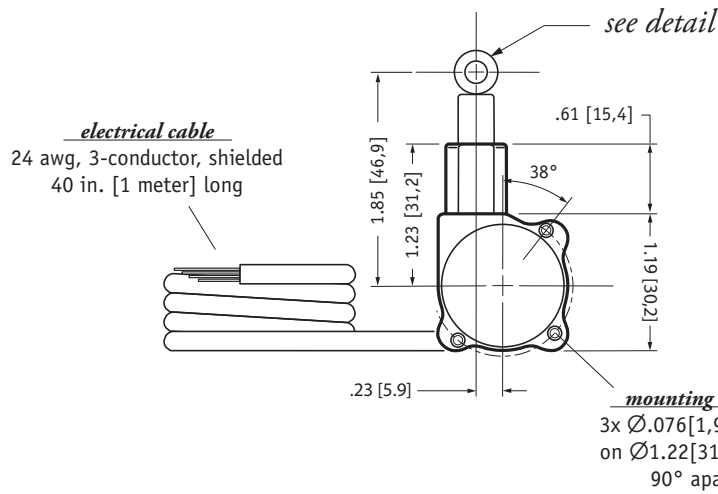
Mounting Options:



Outline Drawing (w/o bracket):

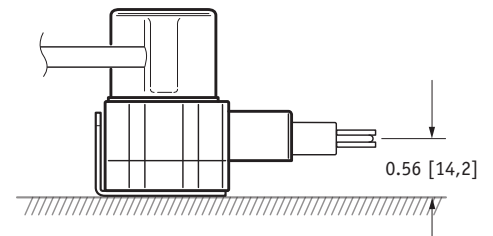
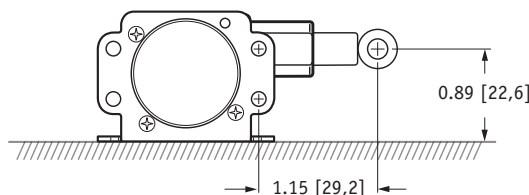
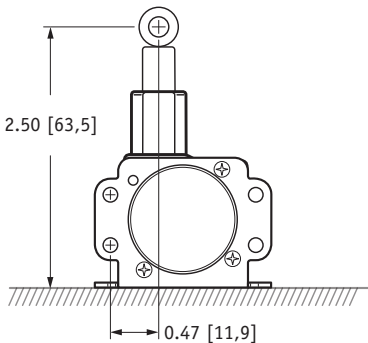
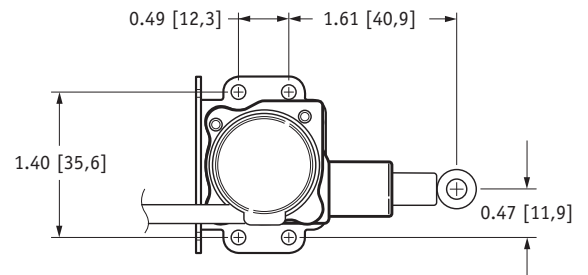
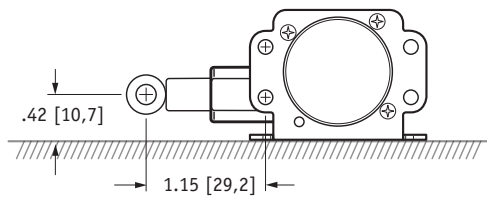
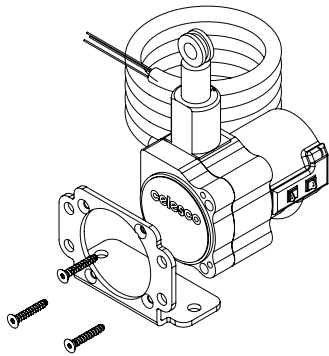


\*tolerance = +.005 -.001 [+.13 -.03]  
 \*\*tolerance = +.005 -.005 [+.13 -.13]



INCHES [MM]

Mounting Option Details:



version: 4.0 last updated: February 28, 2013