

**Mates To Virtually Any Encoder**  
**Ranges: 0-25 to 0-50 inches**  
**Available With or Without Encoder**

# PT8600

## Specification Summary:

### GENERAL

Full Stroke Range Options ..... 0-25, 0-50 in. and 0-625, 0-1250 mm  
 Motion Conversion Ratio:  
   English Ranges ..... 5 inches per turn, *see ordering information*  
   Metric Ranges ..... 125 mm per turn, *see ordering information*  
 Accuracy .....  $\pm 0.04\%$  full stroke, *contact factory for better accuracy*  
 Measuring Cable Options ..... *see ordering information*  
 Module Material ..... powder-painted aluminum  
 Maximum Allowable Rotational Sensor Torque ..... 1.0 in-lbs.  
 Weight ..... 3 lbs. max.

### ENVIRONMENTAL

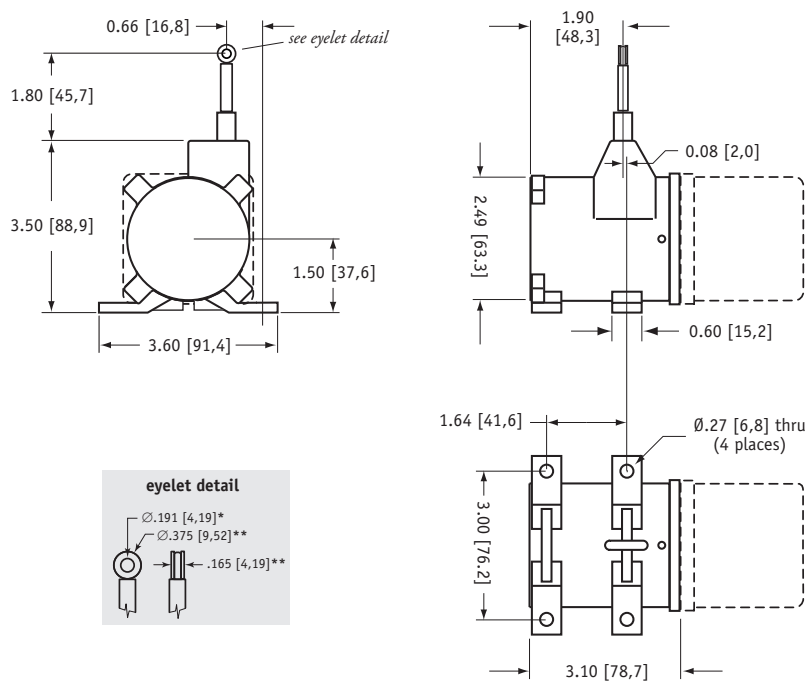
Operating Temperature .....  $-40^{\circ}$  to  $200^{\circ}$ F ( $-40^{\circ}$  to  $90^{\circ}$ C)



Our unique linear-to-rotational, industrial-grade string encoder module mates to virtually any encoder giving you a cost-effective linear position measurement solution that precisely fits your requirements. The PT8600 takes just minutes to install, fits easily into tight areas and does not require perfectly parallel alignment. To order, simply select the stroke range, the cable tension and the mounting style that matches your encoder.

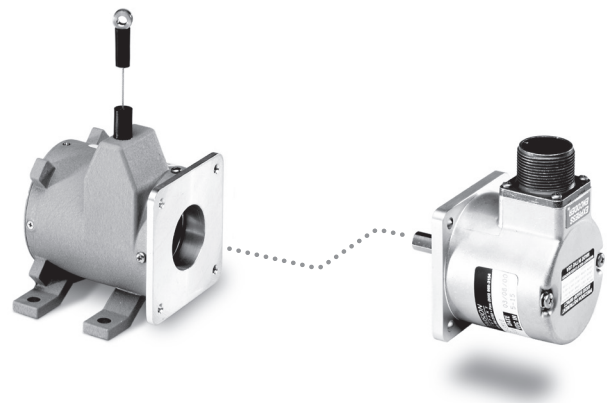
If you want us to provide the encoder or you don't see the mounting style you need, please give us a call.

### Outline Drawing



DIMENSIONS ARE IN INCHES [MM]  
 tolerances are  $\pm 0.02$  in. [ $\pm 0.5$  mm] unless otherwise noted

\* tolerance =  $+0.005 -0.001$  [ $+0.13 -0.03$ ]  
 \*\* tolerance =  $+0.005 -0.005$  [ $+0.13 -0.13$ ]



**Ordering Information:**

**Model Number:**

**PT8600** -      -      -      -      -      -       
order code:                      R                      A                      B                      C                      D                      E

Sample Model Number:

**PT8600 - 0025 - 111 - BR - F01**

- R** range: 25 inches
- A** measuring cable tension: standard (12 oz.)
- B** measuring cable: .034 nylon-coated stainless
- D** cable guide option: cable brush
- E** rotational sensor mounting style: F01 (2.5-in. sq. flange)

» Trying to reorder but can't find your existing model number? Please contact factory for help.

**Full Stroke Range:**

<b>R</b> order code:	<b>0025</b>	<b>0050</b>	<b>0625</b>	<b>1250</b>
full stroke range, min:	25 in.	50 in.	625 mm	1250 mm

**Measuring Cable Tension:**

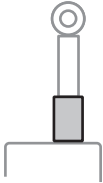
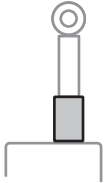
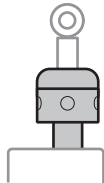
<b>A</b> order code:	<b>1</b>	<b>2</b>
cable tension (±30%)	standard tension	high tension
25, 50-inch ranges:	17 oz. [5 G max. acceleration]	50 oz. [15 G max. acceleration]
625, 1250-mm ranges:	4,2 N [8 G max. acceleration]	13,9 N [30 G max. acceleration]

**Measuring Cable:**

<b>B</b> order code:	<b>1</b>	<b>2*</b>
measuring cable:	.034 nylon-coated stainless steel	.047 stainless steel
conversion ratio {	<b>english</b> ranges:	1 turn = 5.000 ± 0.0094 in.
	<b>metric</b> ranges:	1 turn = 125,001 ± 0,2394 mm

*\*25-inch and 625-mm ranges only*

**Cable Guide Options:**

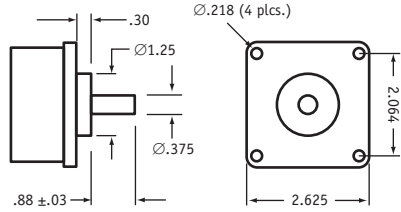
<b>D</b> order code:	<b>blank</b>	<b>SS</b>	<b>BR</b>
	standard cable guide	stainless steel cable guide	integral cable brush
			

### Rotational Sensor Mounting Style:

Order code:	F01	F02	S01	S02	S04
	2.5-in. Flange Mount 3/8-inch shaft	2-in. Flange Mount 3/8-inch shaft	Face-Mount 6 mm shaft M4 mounting screws	Face-Mount 10 mm shaft M4 mounting screws	Face-Mount 10 mm shaft M3 mounting screws

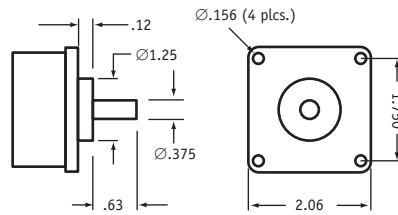
Note: If you don't see your encoder style, please contact factory. All encoder types supported.

**F01 - 2½-inch Sq. Flange Mount (3/8-inch shaft)**



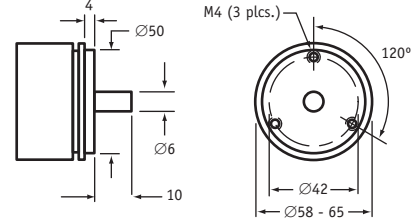
all dimensions are in inches

**F02 - 2-inch Sq. Flange Mount (3/8-inch shaft)**



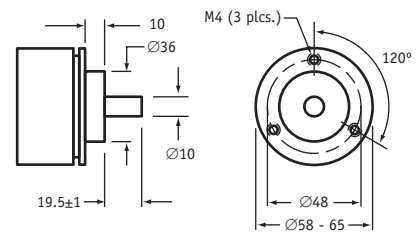
all dimensions are in inches

**S01 - Face-Mount (6mm shaft/M4 screws)**



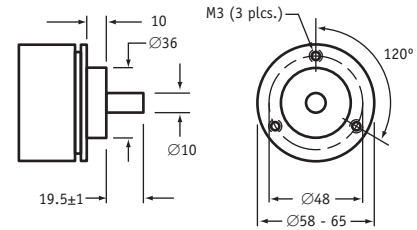
all dimensions are in mm

**S02 - Face-Mount (10mm shaft/M4 screws)**



all dimensions are in mm

**S04 - Face-Mount (10mm shaft/M3 screws)**



all dimensions are in mm

version: 3.0 last updated: June 7, 2009

**celesco**