

**Incremental Encoder Output**  
**Ranges: 0-25, 0-50 in. • 0-625, 0-1250 mm**  
**Compact Size • OEM Applications**

# PT1E

**Specification Summary:**

**GENERAL**  
 Full Stroke Range Options .....0-25 to 0-50 inches  
 Output Signal ..... incremental encoder (quadrature)  
 Accuracy ..... 0.04% full stroke *contact factory for higher accuracy*  
 Repeatability ..... ± 0.02% full stroke  
 Resolution Options .....25 to 1250 pulses per inch  
 Measuring Cable Options ..... .019-in. dia. nylon-coated stainless steel  
 Enclosure Material ..... glass-filled polycarbonate and black anodized aluminum  
 Sensor ..... optical encoder  
 Maximum Retraction Acceleration ..... *see ordering information*  
 Weight ..... 1 lb. max.

**ELECTRICAL**  
 Input Voltage ..... *see ordering information*  
 Input Current ..... *see ordering information*

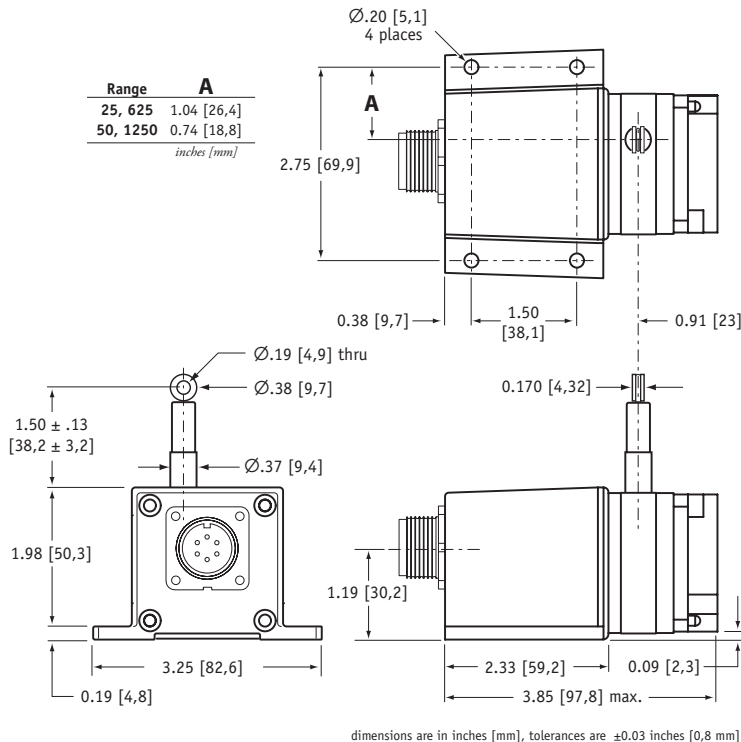
**ENVIRONMENTAL**  
 Enclosure ..... NEMA 4, IP 65  
 Operating Temperature ..... 0° to 160°F (-17° to 71°C)  
 Vibration ..... up to 10 G's to 2000 Hz maximum



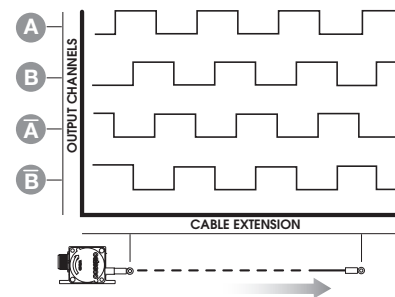
The heart of the PT1E is an incremental optical encoder which delivers a quadrature formatted digital pulse train. This compact transducer is available with several resolution options for a wide variety of applications from high accuracy position feedback to slow velocity feedback requirements.

The PT1E has many options available including full stroke measurement ranges from 0-2 inches up to 0-50 inches, different output drivers and alternate measuring cable exits.

Outline Drawing



Output Signal



## Ordering Information:

### Model Number:

**PT1E** -      -      -      -      -      -     

order code:      **R**      **A**      **B**      **C**      **D**      **E**

Sample Model Number:

**PT1E - 25 - UP - 50 - AB-TTL - MC4 - SG**

- R** range: 25 inches
- A** measuring cable exit: up
- B** resolution: 50 pulses per inch
- C** electrical connection: 4-pin micro connector
- D** output signal: TTL/CMOS driver, Channels A,B
- E** cable guide: spring-loaded guide

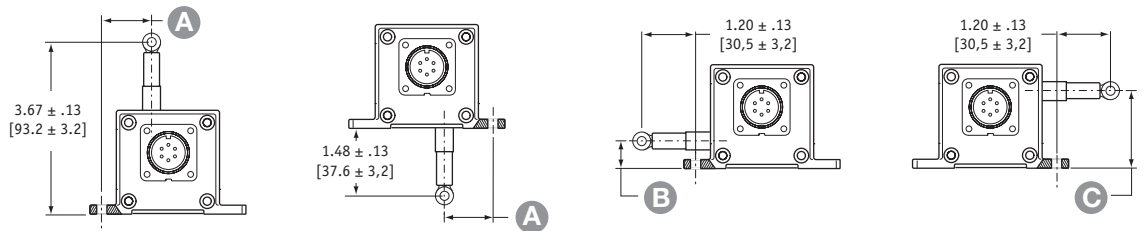
### Full Stroke Range:

<b>R</b> order code:	25	50	625	1250
full stroke range, min:	25 in.	50 in.	625 mm	1250 mm
cable tension (±20%):	12 oz.	6 oz.	3,3 N	1,6 N
cable acceleration, max.:	11 G's	4 G's	11 G's	4 G's
resolution options:	50, 500, 1000, 1250 pulses per inch	25, 250, 500, 625 pulses per inch	2, 20, 40, 50 pulses per mm	1, 10, 20, 25 pulses per mm

### Cable Exit:

**A** order code:      **UP**      **DN**      **FR**      **BK**

direction:      up      down      front      back



measurement range	25	50	625	1250
<b>A</b>	1.04 in. 26,4 mm	0.74 in. 18,8 mm	1.04 in. 26,4 mm	0.74 in. 18,8 mm
<b>B</b>	0.75 in. 19,1 mm	0.45 in. 11,4 mm	0.75 in. 19,1 mm	0.45 in. 11,4 mm
<b>C</b>	1.43 in. 36,3 mm	1.73 in. 43,9 mm	1.43 in. 36,3 mm	1.73 in. 43,9 mm

### Resolution:

**B** order code:      **50**      **500**      **1000**      **1250**

25-inch full stroke range:      50 ±1 pulses per inch      500 ±10 pulses per inch      1000 ±20 pulses per inch      1250 ±24 pulses per inch

**B** order code:      **25**      **250**      **500**      **625**

50-inch full stroke range:      25 ±0.5 pulses per inch      250 ±5 pulses per inch      500 ±10 pulses per inch      625 ±12 pulses per inch

**B** order code:      **2**      **20**      **40**      **50**

625 mm full stroke range:      2 ±0,04 pulses per mm      20 ±0,4 pulses per mm      40 ±0,8 pulses per mm      50 ±1 pulses per mm

**B** order code:      **1**      **10**      **20**      **25**

1250 mm full stroke range:      1 ±0,02 pulses per mm      10 ±0,2 pulses per mm      20 ±0,4 pulses per mm      25 ±0,5 pulses per mm

**Ordering Information (cont.)**

**Output Signals:**

④ *order code:*  
output driver:

AB-TTL	AB-OC	ABC-LD	ABC-UD
TTL - CMOS	Open Collector	5 V - Line Driver	Universal Line Driver
Input voltage (V+): 4.5...13.2 Vdc Sink current: 20 mA max. Input current: 80 mA max.	Input voltage (V+): 10.8...26.4 Vdc Sink current: 20 mA max. Input current: 80 mA max.	Input voltage (V+): 5 Vdc Sink current: 20 mA max. Input current: 150 mA max.	Input voltage (V+): 5...30 VDC Source/Sink: 20 mA max. Input current: 100 mA max, no load

**Electrical Connection:**

① *order code:*

MC4	M6	C25																																																									
4-pin micro-connector with 12 ft [3.5 M] cordset	6-pin plastic connector with mating plug	25-ft. instrumentation cable 24 AWG, shielded																																																									
4-pin mating plug and cordset	6-pin mating plug	25-ft. cable																																																									
<table border="1"> <thead> <tr> <th>pin</th> <th>color code</th> <th>TTL/CMOS Open Collector</th> </tr> </thead> <tbody> <tr> <td>1</td> <td>RED-BLK TR.</td> <td>input voltage</td> </tr> <tr> <td>2</td> <td>RED-WHT TR.</td> <td>channel A</td> </tr> <tr> <td>3</td> <td>RED</td> <td>channel B</td> </tr> <tr> <td>4</td> <td>GREEN</td> <td>common</td> </tr> </tbody> </table>	pin	color code	TTL/CMOS Open Collector	1	RED-BLK TR.	input voltage	2	RED-WHT TR.	channel A	3	RED	channel B	4	GREEN	common	<table border="1"> <thead> <tr> <th>pin</th> <th>TTL/CMOS Open Collector</th> <th>5 V Line Driver Universal Line Driver</th> </tr> </thead> <tbody> <tr> <td>A</td> <td>input voltage</td> <td>input voltage</td> </tr> <tr> <td>B</td> <td>common</td> <td>common</td> </tr> <tr> <td>C</td> <td>channel A</td> <td>channel A</td> </tr> <tr> <td>D</td> <td>channel B</td> <td>channel B</td> </tr> <tr> <td>E</td> <td>-</td> <td>channel A'</td> </tr> <tr> <td>F</td> <td>-</td> <td>channel B'</td> </tr> </tbody> </table>	pin	TTL/CMOS Open Collector	5 V Line Driver Universal Line Driver	A	input voltage	input voltage	B	common	common	C	channel A	channel A	D	channel B	channel B	E	-	channel A'	F	-	channel B'	<table border="1"> <thead> <tr> <th>color</th> <th>TTL/CMOS Open Collector</th> <th>5 V Line Driver Universal Line Driver</th> </tr> </thead> <tbody> <tr> <td>red</td> <td>input voltage</td> <td>input voltage</td> </tr> <tr> <td>black</td> <td>common</td> <td>common</td> </tr> <tr> <td>green</td> <td>channel A</td> <td>channel A</td> </tr> <tr> <td>white</td> <td>channel B</td> <td>channel B</td> </tr> <tr> <td>blue</td> <td>-</td> <td>channel A'</td> </tr> <tr> <td>brown</td> <td>-</td> <td>channel B'</td> </tr> </tbody> </table>	color	TTL/CMOS Open Collector	5 V Line Driver Universal Line Driver	red	input voltage	input voltage	black	common	common	green	channel A	channel A	white	channel B	channel B	blue	-	channel A'	brown	-	channel B'
pin	color code	TTL/CMOS Open Collector																																																									
1	RED-BLK TR.	input voltage																																																									
2	RED-WHT TR.	channel A																																																									
3	RED	channel B																																																									
4	GREEN	common																																																									
pin	TTL/CMOS Open Collector	5 V Line Driver Universal Line Driver																																																									
A	input voltage	input voltage																																																									
B	common	common																																																									
C	channel A	channel A																																																									
D	channel B	channel B																																																									
E	-	channel A'																																																									
F	-	channel B'																																																									
color	TTL/CMOS Open Collector	5 V Line Driver Universal Line Driver																																																									
red	input voltage	input voltage																																																									
black	common	common																																																									
green	channel A	channel A																																																									
white	channel B	channel B																																																									
blue	-	channel A'																																																									
brown	-	channel B'																																																									

**Cable Guide:**

② *order code:*

blank	SG
standard cable guide	spring-loaded guide
	<i>cushions impact from accidental free release</i> 

\*note: start of full stroke range begins at **full compression** point  
version: 4.0 last updated: April 28, 2010