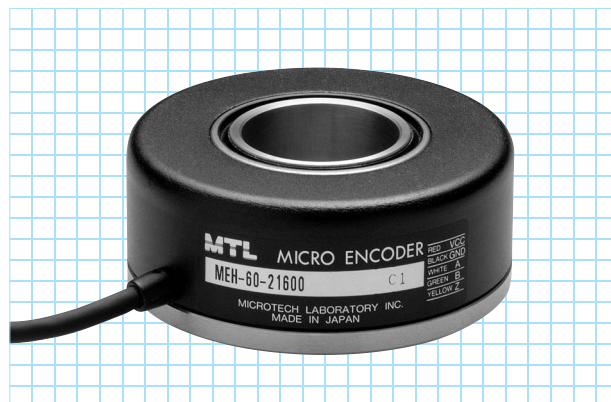


MEH-60-P series

[Square Wave/Incremental]

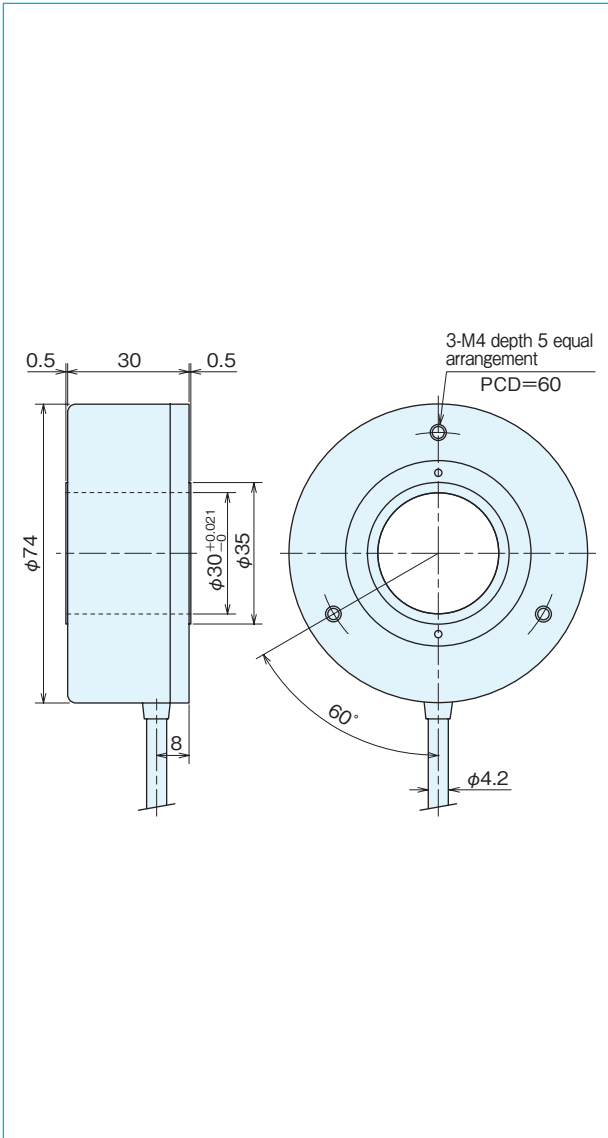


Specifications

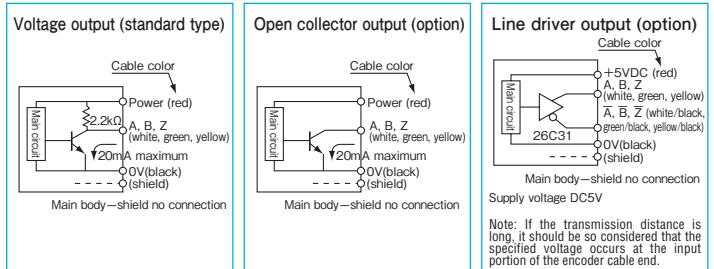
Type name		MEH-60-□□P□□				
Item		Pulse number		Output circuit		
		●No entry=voltage output		●E=line driver output		
		●C=open collector output		●S=sine wave output		
		●C4=open collector output DC24V		●ST□(2·4·5·8·10·16·20)		
		Square wave		Built-in multiplication circuit (X2·X4·X5·X8·X10·X16·X20)		
Supply voltage		Voltage/Open collector DC5V~12V+10% Open collector DC24V:DC24V±10% (※)Open collector output:20,250, 21,600±DC5V-5%~DC12V+10% Line driver:DC5V±5%		Voltage:DC5V-5%~12V+10% Open collector:DC5V-5%~24V+10% (10,800 pulse or less) (※)Open collector output:20,250, 21,600±DC5V-5%~DC12V+10% Line driver:DC5V±5%		
Current consumption		60mA or less ※120mA or less (under no load)		100mA or less (under no load)		
Detection system		Incremental		Incremental		
Input	Output pulse number (Standard) [Pulse number/rotation]	100 180 200 360 400 500	600 1,000	1,024 1,800 2,000 3,600 4,000 5,000 5,400 (※1)	8,100 (※1) 9,000 (※1) 10,000 (※1) 10,800 (※1) 20,250 (※1, 2) 21,600 (※1, 2)	EX 21,600×2 (43,200) 21,600×4 (86,400) 21,600×5 (108,000) 21,600×8 (172,800) 21,600×10 (216,000) 21,600×16 (345,600) 21,600×20 (432,000)
	Output phase	A, B, Z phase			A, B, Z phase	
	Output form	Square wave			Square wave	
	Output capacity	Sink current:20mA Residual voltage:0.5V or less (at 10mA)			-	
	Maximum response frequency (response pulse number)	100kHz			Line driver output:50kHz× (by multiplication) Open collector output:100kHz	
	Output phase difference	A, B phase difference 90°±45° (T/4±T/8) Z phase T±T/2 (see Output Waveform)			Refer to the figure on the right	
	Waveform rise/fall time	2μs or less (output cable 1m or less)			-	
Allowable load of shaft (electrical)	Radial	19.6N (2kgf)		9.8N (1kgf)		
	Thrust	9.8N (1kgf)		4.9N (0.5kgf)		
Maximum allowable revolutions (mechanical)	1,000r/min			1,000r/min		
Working ambient temperature/humidity	0°C~60°C RH35%~90% no dewing			0°C~60°C RH35%~90% no dewing		
Storing ambient temperature	-20°C~80°C			-20°C~80°C		
Vibration resistance	Durability 55Hz, double amplitude 1.5mm 2 hours each in X, Y, and Z directions			Durability 55Hz, double amplitude 1.5mm 2 hours each in X, Y, and Z directions		
Impact resistance	Durability 500m/s ² (about 50G) 3 times each in X, Y, and Z directions			Durability 500m/s ² (about 50G) 3 times each in X, Y, and Z directions		
Cable	Outside diameter φ4.2 5-core vinyl wire Insulated shield cable (length 1m)			Outside diameter φ4.2 5-core vinyl wire Insulated shield cable (length 1m)		
Mass	320g 430g (※2)			430g		

※1: Handled by built-in multiplier circuit
 ※2: The mass changes

Outside dimensions

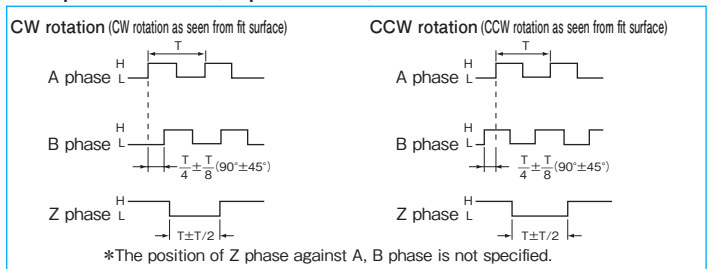


Output circuit diagram

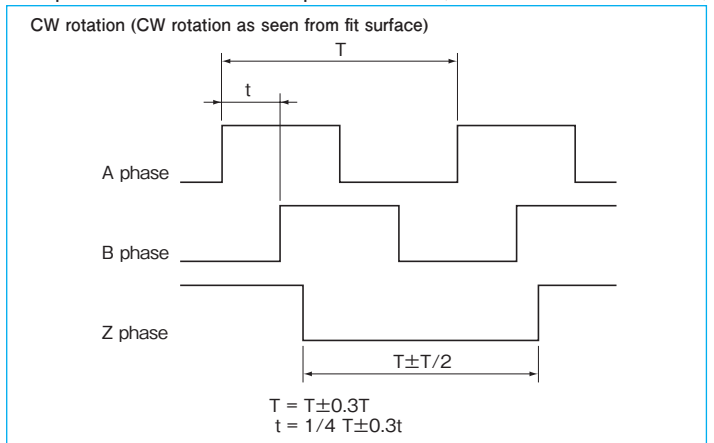


A capacitor (0.1μF) is connected between 0V and FG (frame ground).

Output waveform (Square wave)



Output waveform / Built-in multiplication circuit (x2·x4·x5·x8·x10·x16·x20)



Spring flange MEH-50 (Option)

