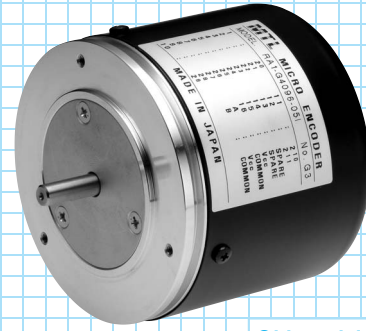


MAS-60 series

[Absolute]

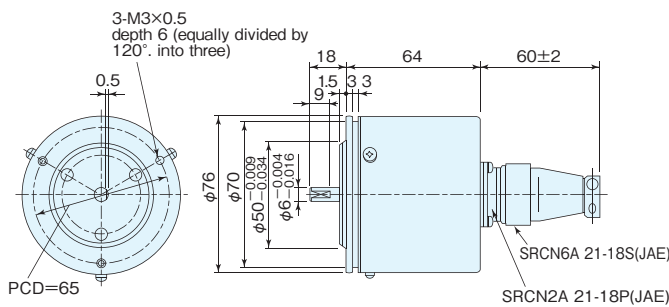
- Old model: RA1/RAW1
- Many variations to meet all needs
- Excellent environment resistance and materialization of IP64



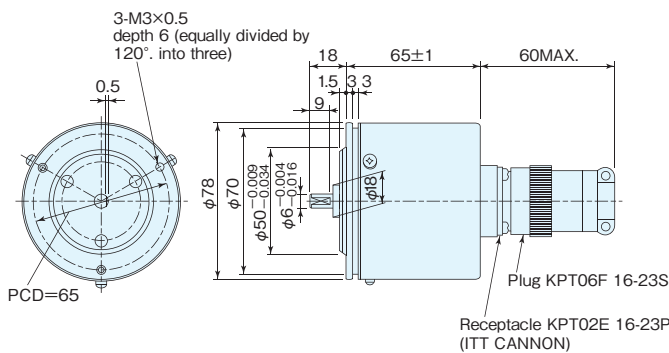
Old model:RA1·RAW1

Outside dimensions

MAS-60 (standard type)



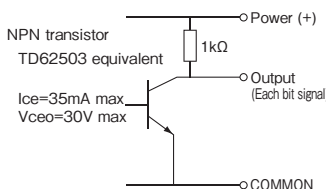
MASW-60 (option: drip-proof)



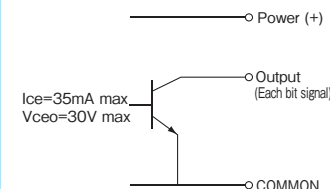
※ Connector pin numbers available upon request.

Output circuit diagram

Voltage output (standard type)



Open collector output



Specifications

Type name	MAS-60-1000G-05C		
Item	Output code/resolution: ●G=gray code ●B=BCD code ●N=pure binary code Input voltage: ●05=5V ●12=12V ●24=24V Output circuit: ●No entry=voltage output ●C=open collector output		
Supply voltage	DC5V -5%~12V+10%(voltage output) DC5V -5%~24V+15% (only open collector output)		
Current consumption	300mA max (voltage output) 150mA max (open collector output)		
Output code	G: gray code B: BCD code N: pure binary code		
Output logic	Positive logic output	Negative logic output	
Output pulse number (Standard) [Pulse number/rotation]	G, N	B	
	256	360	
	512	400	
	1,000	720	
	1,024	800	
Maximum response frequency	40kbit/sec (10 kbit/sec when accuracy is guaranteed)		
	Shaft allowable load	Radial	49.0N(5kgf) (19.6N when accuracy is guaranteed)
		Thrust	29.4N(3kgf) (9.8N when accuracy is guaranteed)
Allowable maximum rotation (mechanical)	5,000r/min		
Working temperature/humidity	-10°C~70°C/ RH95%max no dewing		
Storage temperature	-30°C~80°C		
Vibration resistance	Durability 0-500Hz, double amplitude 1.52mm 2 hours each in X, Y, and Z directions		
Impact resistance	Durability 490m/s ² (about 50G) 3 times each in X, Y, and Z directions		
Mass	300g (excluding cable)		

Output code

