

FUNCTIONS

- ◆ 4 位 8 段 LED 顯示 (http://www.icasic.com/ TEL: 0755-83387030 FAX: 0754-83376182 能顯示 (時分))
- ◆ 30s / 60s alarm sound selectable
- ◆ Chime on every hour
- ◆ Snooze function selectable
- ◆ 12H / 24H cycle selectable
- ◆ Trimmer capacitor selectable
- ◆ LCD test

功能

- ◆ 30 / 60 秒鬧鈴選擇
- ◆ 整點響鬧
- ◆ 貪睡功能選擇
- ◆ 12 / 24 小時制選擇
- ◆ 晶振微調電容選擇
- ◆ LCD 測試

FEATURES

- ◆ Drive 4-digit duplex LCD with PM/AL Time, alarm mark, chime mark and snooze mark
- ◆ Low power dissipation
- ◆ On-Chip capacitive voltage doubler
- ◆ Debounce circuitry on switch inputs
- ◆ Protection against static discharge

特點

- ◆ 3.5 / 4 位 LCD 顯示帶下午、鬧鈴標誌、整點鬧標誌、貪睡標誌
- ◆ 低功耗
- ◆ 內置倍壓電路
- ◆ 開關輸入防彈跳
- ◆ 帶靜電保護

ELECTRICAL CHARACTERISTICS 電特性

Characteristics		SYMBOL	Min	Typ	Max	Unit	REMARKS
Operating Voltage	工作電壓	V _{DD}	1.2	1.5	1.8	V	-
Quiescent Current	靜態電流	I _{SB}	-	1	2	uA	No Load
Operating Current	工作電流	I _{OP}	-	-	9	uA	-
Input High Voltage	輸入出高電流	V _{IH}	V _{DD} -0.3	-	V _{DD}	V	-
Input Low Voltage	輸入出低電流	V _{IL}	V _{SS1}	-	V _{SS1} +0.3	V	-
Switch Activated Current	按鍵開關消耗電流	I _{SW}	-	-	3	uA	V _{in} = V _{DD}
Alarm Drive Current	鬧鈴輸出電流	I _{ALA}	0.5	2	-	mA	V _{ALA} = 0.5V
Oscillator Input Frequency	振蕩頻率	F _{OSC}	-	32768	-	Hz	30% Tol
LCD Frequency	LCD 頻率	F _{LCD}	-	32	-	Hz	-
Time Stability	時間穩定度	T _{stb}	-	1	-	ppm	V _{DD} =3.0V

BONDING OPTION 邦定選項

1. Alarm Option 響鬧選項

	OPT1	OPT2	OPT3
V _{DD}	4096 Hz 鬧鈴信號	由 OPT1 決定響鬧頻率	60 秒響鬧
V _{SS1}	2048 Hz 鬧鈴信號	漸進式響鬧	30 秒響鬧

* : OPT1、2、3 不可空接

2. Display Option 顯示模式選項

S1224	接 V _{SS2}	24 小時模式
S1224	接 V _{DD}	12 小時模式

3. Trimmer Capacitor Option 微調電容選項

晶振接 CG 及 XI	使用內置微調電容
晶振接 XI 及 XO	XO 外接微調電容

FUNCTION DESCRIPTION

SUNSTAR 单片机专用电路 <http://www.icasic.com/> TEL: 0755-83387030 FAX:0755-83376182 E-MAIL:szss20@163.com

- * Hour and minute are displayed in 3.5 or 4 digits (By Bonding options)
- * PM mark is on during the afternoon and evening (PM mark is not displayed under 24H cycle)
- * Colon flashes at 1 Hz
- * Alarm time is display while HR or MIN switch is on
- * AL mode mark is on for alarm display
- * While the HR and MIN switches are on simultaneously, all segments are displayed and sound monitor is available (LCD, Alarm Test)

Time Setting Mode

- * Hour and minute are displayed in 3.5 or 4 digits (By Bonding options)
- * Hour digit advanced +1/push when HR switch is on, and Minute digit advanced +1/push when MIN switch is on
- * When the HR or MIN switch inputs are run over 1~2 seconds, the number advances automatically at a rate of 2 Hz
- * When the HR and MIN switched are on simultaneously, hour digit and minute digit advances simultaneously too
- * Colon flashes at 1 Hz rate
- * When MIN is adjusted, the colon stops, and the second counter is reset (hold state)
- * Time is start after exit from time setting mode (TMS is off)

Alarm Setting Mode

- * Alarm hour and minute are displayed in 3.5 or 4 digits (By Bonding options)
- * Colon is on
- * AL mode mark is on
- * Alarm hour digit advanced +1/push when HR switch is on, and Alarm Minute digit advanced +1/push when MIN switch is on
- * When the HR or MIN switch inputs are run over 1~2 seconds, the number advances automatically at a rate of 2 Hz
- * When the HR and MIN switched are on simultaneously, hour digit and minute digit advances simultaneously too

功能說明

計時方式 <http://www.icasic.com/> TEL: 0755-83387030 FAX:0755-83376182 E-MAIL:szss20@163.com

- * 3.5 / 4 位時、分顯示
- * PM 標誌在下午顯示 (24 小時模式不會顯示 PM 標誌)
- * “:” 顯示頻率為 1Hz
- * 按下 HR 或 MIN 鍵顯示響鬧時間
- * 響鬧時間顯示 AL 標誌, “:”不閃動
- * 同時按下 HR 和 MIN 鍵, LCD 全段顯示, 並有響鬧輸出 (LCD、響鬧測試)

時間設定方式

- * 4 位時、分設定
- * 按 HR 鍵一次, 小時位加 1, 按 MIN 鍵一次, 分鐘位加 1
- * 當按下 HR 或 MIN 鍵超過 1~2 秒時, 小時位或分鐘位以每秒 +2 的速率增加
- * 同時按下 HR 和 MIN 鍵, 小時位與分鐘位同時遞增
- * “:”以 1Hz 速度閃動
- * 設定分鐘時, “:”停止閃動
- * 計時在離開時間設定模式後開始

響鬧時間設定方式

- * 3.5 / 4 位響鬧時、分設定
- * “:”停止閃動
- * 顯示 AL 標誌
- * 按 HR 鍵一次, 響鬧小時位加 1, 按 MIN 鍵一次, 響鬧分鐘位加 1
- * 當按下 HR 或 MIN 鍵超過 1.2 秒時, 響鬧小時位或分鐘位以每秒 +2 的速率增加
- * 同時按下 HR 和 MIN 鍵, 小時位與分鐘位同時遞增

Alarm mode is controlled by AL OFF and SNZ switches

響鬧模式由 AL OFF 及 SNZ 鍵控制

Switch		Alarm Mode	響鬧模式	Mark	
AL OFF	SNZ			AL	SNZ
OFF	OFF	Alarm Standby When the time corresponds to the alarm time, alarm sound is output Snooze timer does not operate	啟動響鬧功能 當時鐘到達響鬧時間時，會有鬧鈴 貪睡計時器不會啟動	*	--
OFF	ON	Snooze Standby When the time corresponds to the alarm time, alarm sound is output Snooze timer operates also	啟動貪睡功能 當時鐘到達響鬧時間時，會有鬧鈴 貪睡計時器啟動	*	#
ON		Alarm Off No alarm sound output Snooze timer does not operate	關閉響鬧功能 時鐘沒有鬧鈴 貪睡計時器不會啟動	--	--

* - AL Mark is on

AL 標誌亮起

- SNZ mark is on, it flashes at the rate of 1Hz if the snooze timer is operated.

SNZ 標誌亮起，如貪睡計時器啓用則以 1Hz 速度閃動

Alarm Function

Alarm signal is output from ALO pins, when the time corresponds to the alarm time when alarm function is enabled.

響鬧功能

當啓用響鬧功能後，時鐘到達響鬧時間，響鬧訊號由 ALO 腳位輸出

Alarm Signal Output Specifications :

響鬧訊號說明

Output length

響鬧時間

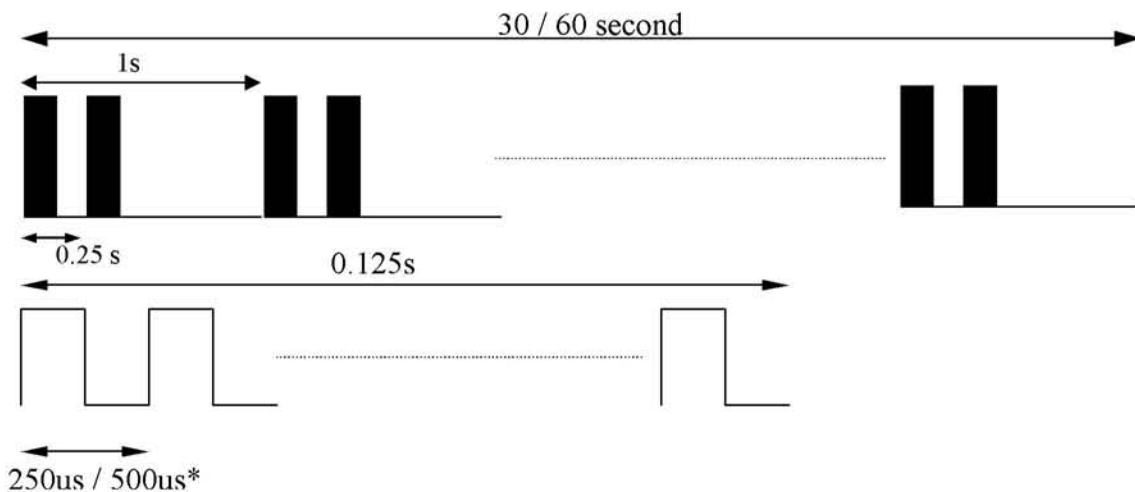
When the time corresponds to the alarm time, alarm signal start and stops automatically after 30 / 60 seconds.

時鐘到達響鬧時間，ALO 腳會輸出 30 / 60 秒訊號，響鬧時可按 BZ STO 鍵終止響鬧

The alarm signal can be stopped by triggering the BZ STO switch.

響鬧輸出訊號

Alarm Output Waveform



註： Alarm Output can be chosen by bonding options (OPT1, OPT2 and OPT3 cannot be opened)

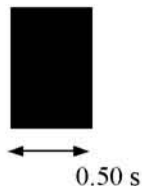
響鬧訊號按 Bonding Option 選擇 (OPT1、OPT2、OPT3 不可空接)

Chime Function

Alarm buzzer sound for 0.25 second in chime enable mode when the minute of normal time reaches zero. In other words, the chime function generates a 0.25 second burst of sound for every hour on the hour.

While alarm signal is output, it can be stopped by turning on BZ STO switch. However, the alarm signal starts when the time and the alarm time correspond again.

Chime Signal



整點響鬧功能

當開啟整點報時功能時(CHIME = On)，分鐘到達 00 時，會輸出 0.25 秒的響鬧訊號

整點響鬧訊號輸出

Snooze Function

Snooze standby mode is enabled by

AL OFF = off, SNZ = on

The snooze mark is on during this mode.

Alarm signal is output from ALO pins, when the time corresponds to the alarm time. If BZ STO switch is triggered, alarm sound will be suspended once. The snooze mark flashes at 1 Hz rate and the snooze operation is on, the buzzer sound will start 8 minutes later.

Alarm signal output is stopped automatically after 30 / 60 seconds when the BZ STO switch is not triggered, and snooze operation is released and the system goes back to snooze standby mode.

Snooze function can be canceled by disconnected the SNZ switch.

貪睡功能

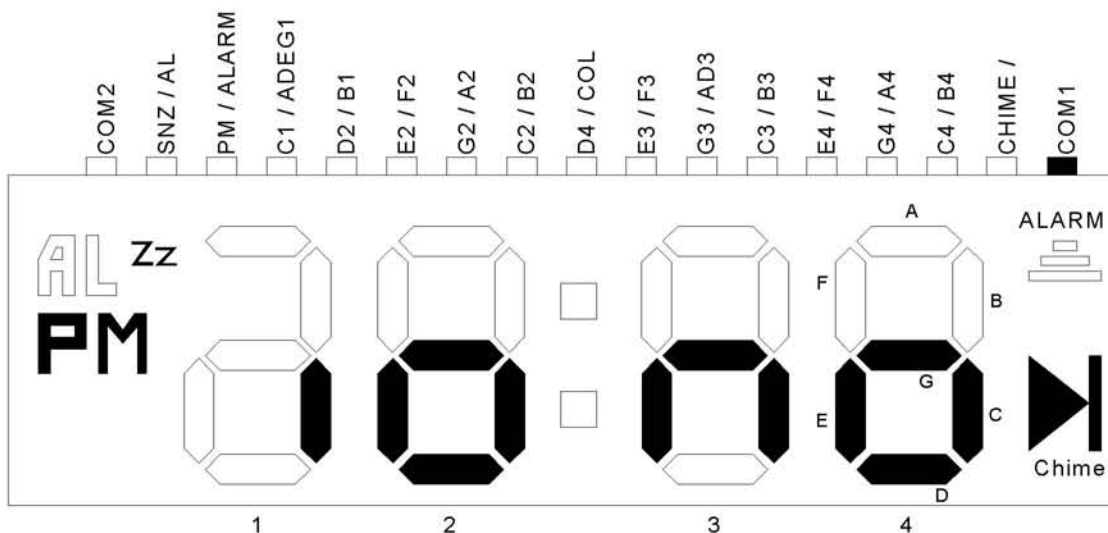
AL OFF = off、SNZ = on，貪睡功能生效，顯示 Snooze 貪睡標誌

當 IC 輸出響鬧訊號時按下 BZ STO 鍵，響鬧停止，同時啟動貪睡計時器，貪睡標誌以 1Hz 的頻率閃動，8 分鐘後再次自動響鬧，如此反覆

如到 30 / 60 秒 響鬧訊號輸出完結沒有按 BZ STO 鍵，貪睡計時器會關閉，直到下次響鬧

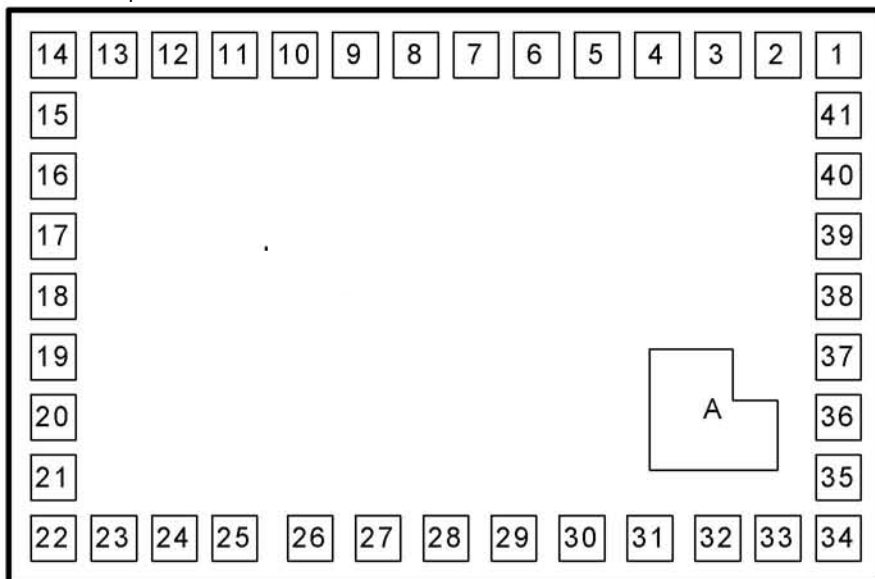
貪睡功能可關閉 SNZ 鍵取消

LCD FORMAT



PAD DIAGRAM

SUNSTAR单片机专用电路 <http://www.icasic.com/> TEL: 0755-83387030 FAX:0755-83376182 E-MAIL:szss20@163.com



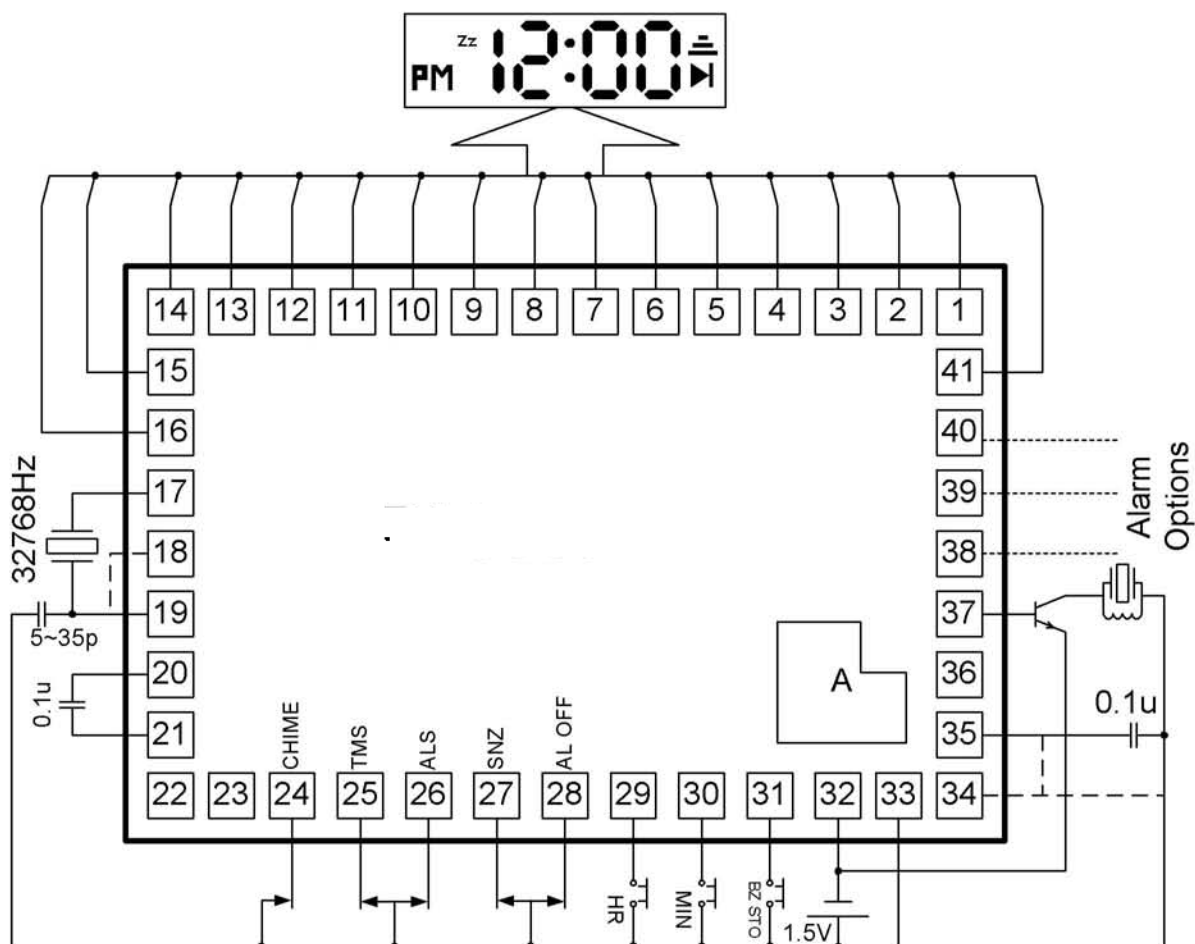
IC 底部接 VDD

Pad No	Name	X	Y
1	CHIME_Mark	895	594
2	C4/B4	758	594
3	G4/A4	621	594
4	E4/F4	484	594
5	C3/B3	347	594
6	G3/AD3	210	594
7	E3/F3	73	594
8	D4/COL	-64	594
9	C2/B2	-201	594
10	G2/A2	-338	594
11	E2/F2	-475	594
12	D2/B1	-612	594
13	C1/ADEG1	-749	594
14	PM/ALARM	-895	594
15	SNZ/AL	-895	454
16	COM2	-895	305
17	XI	-895	156
18	CG	-895	7
19	XO	-895	-142
20	CAP1	-895	-291
21	CAP2	-895	-440

Pad No	Name	X	Y
22	TEST	-895	-594
23	AC	-744	-594
24	CHIME	-595	-594
25	TMS	-446	-594
26	ALS	-297	-594
27	SNZ	-148	-594
28	AL OFF	1	-594
29	HR	150	-594
30	MI	229	-594
31	BZ STO	448	-594
32	VSS1	597	-594
33	VDD	746	-594
34	S1224	895	-594
35	VSS2	895	-434
36	ALO1	895	-286
37	ALO2	895	-138
38	OPT1	895	10
39	OPT2	895	158
40	OPT3	895	306
41	COM1	895	454

APPLICATION CIRCUIT 應用電路圖

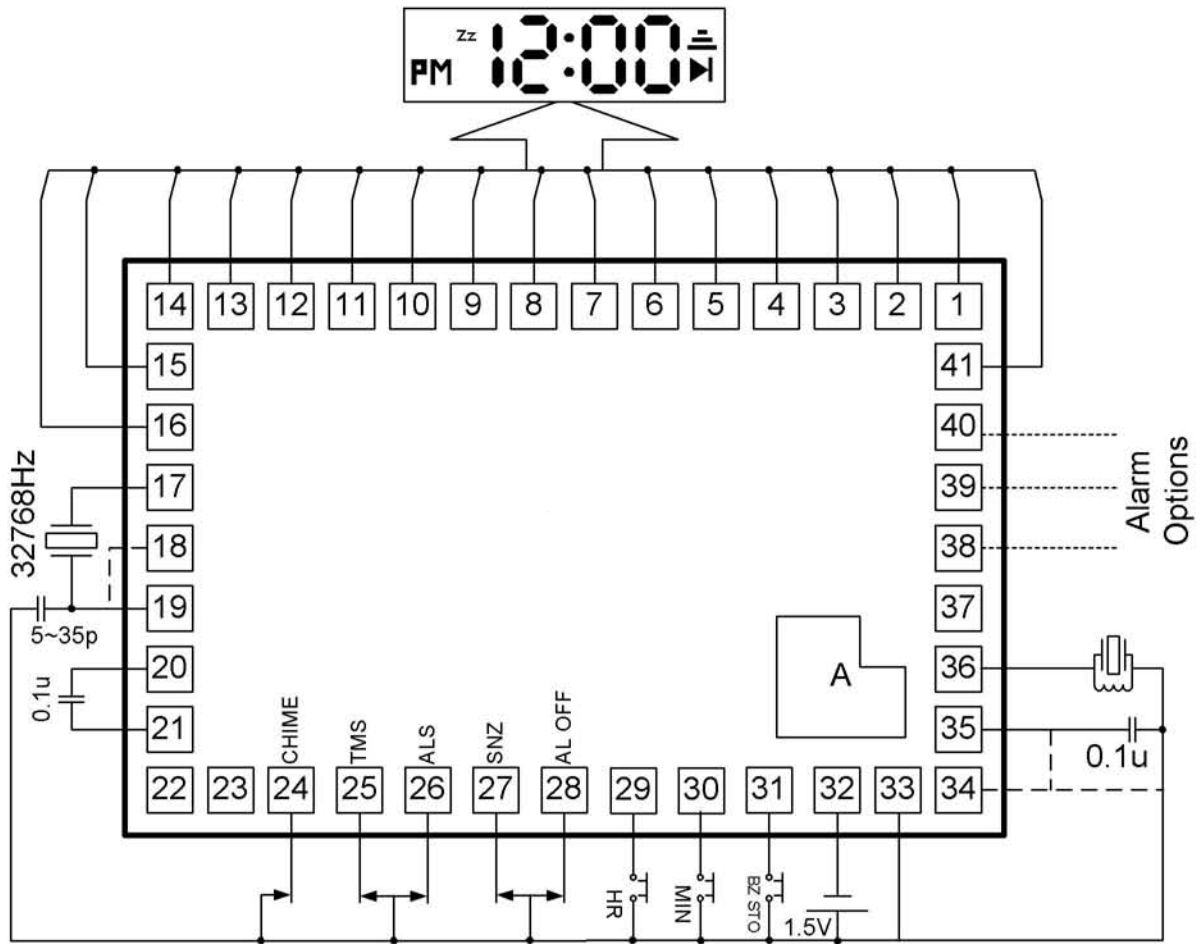
1) Buzzer Driven By External Transistor 外接三極管驅動蜂鳴器



- 註：
1. IC 底接 VDD
 2. 聲音線圈約 30mH

2) Buzzer Driven By Built-in Transistor

内置三极管驱动蜂鸣片



- 註： 1. IC 底接 VDD
2. 聲音線圈約 30mH