

GaAs MMIC SUB-HARMONICALLY PUMPED MIXER, 14 - 21 GHz

Typical Applications

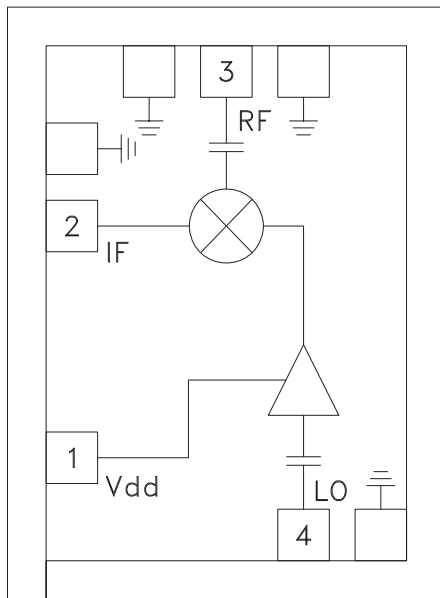
The HMC258 is ideal for:

- Microwave Point-to-Point Radios
- VSAT
- SATCOM

Features

- Integrated LO Amplifier: 0 dBm Drive
- Sub-Harmonically Pumped (x2) LO
- High 2LO/RF Isolation: 40 dB
- Die Size: 0.85 x 1.15 x 0.1 mm

Functional Diagram



General Description

The HMC258 chip is a compact sub-harmonically pumped (x2) single ended MMIC mixer with an integrated LO amplifier which can be used as an upconverter or downconverter. The chip utilizes a GaAs MESFET technology that results in a small overall chip area of 0.9mm². The 2LO to RF isolation is excellent eliminating the need for additional filtering. The LO amplifier is a single bias (+5V) two stage design with only 0 dBm drive requirement. A less stringent oscillator design is made possible by the low LO drive and sub-harmonic nature of the chip. All data is with the chip in a 50 ohm test fixture connected via 0.025 mm (1 mil) diameter wire bonds of minimal length <0.31 mm (<12 mils).

Electrical Specifications, T_A = +25° C, LO Drive = 0 dBm

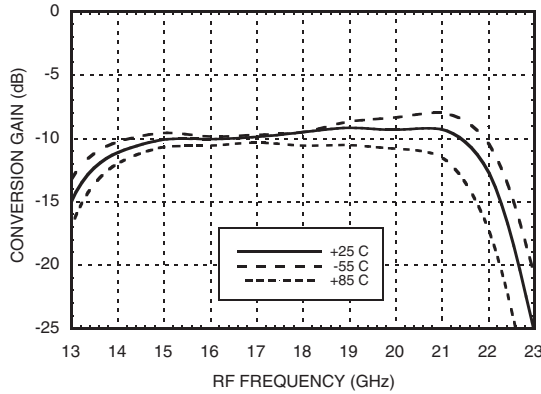
Parameter	IF = 1 GHz Vdd = +5.0V			IF = 1 GHz Vdd = +5.0V			Units
	Min.	Typ.	Max.	Min.	Typ.	Max.	
Frequency Range, RF	14 - 21			17 - 20			GHz
Frequency Range, LO	7 - 10.5			8.5 - 10			GHz
Frequency Range, IF	DC - 3			DC - 3			GHz
Conversion Loss		10	13.5		9.5	12	dB
Noise Figure (SSB)		10	13.5		9.5	12	dB
2LO to RF Isolation	30	40		34	40		dB
2LO to IF Isolation	30	40 ~ 50		38	40 ~ 50		dB
IP3 (Input)	0	7		0	7		dBm
1 dB Compression (Input)	-5	0		-4	1		dBm
Supply Current (I _{dd})		50	67		50	67	mA

For price, delivery, and to place orders, please contact Hittite Microwave Corporation:

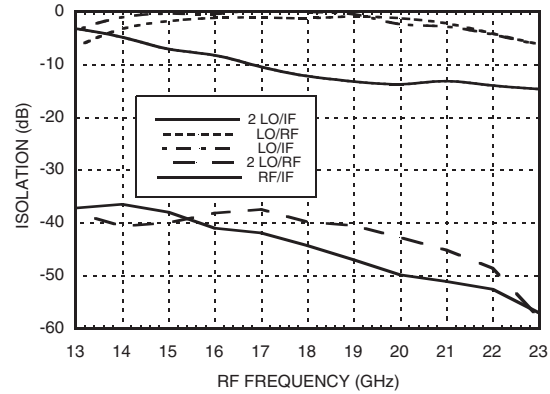
SUNSTAR 微波光电 <http://www.hittite.com> / TEL:0755-83396822 FAX:0755-83376182 E-MAIL: szss20@163.com
 Order On-line at www.hittite.com

GaAs MMIC SUB-HARMONICALLY PUMPED MIXER, 14 - 21 GHz

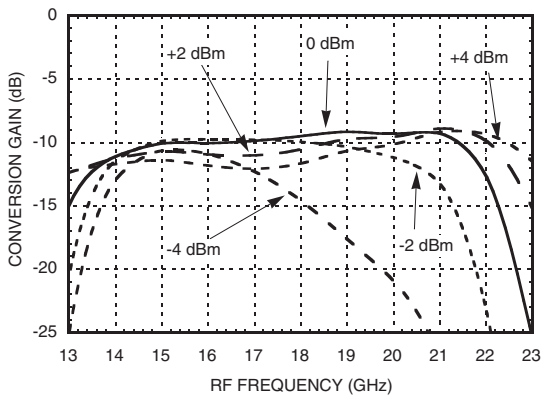
Conversion Gain vs. Temperature @ LO = 0 dBm



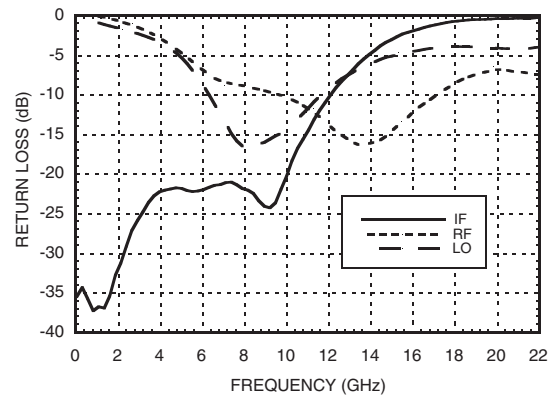
Isolation @ LO = 0 dBm



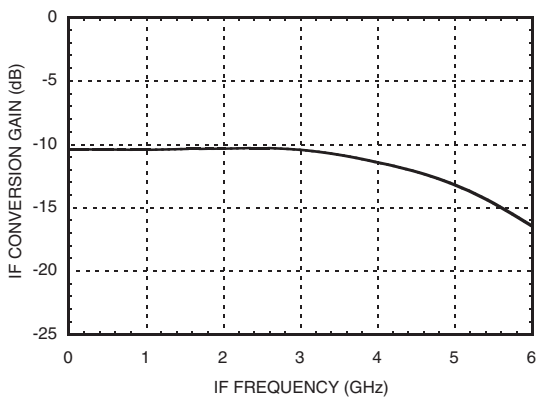
Conversion Gain vs. LO Drive



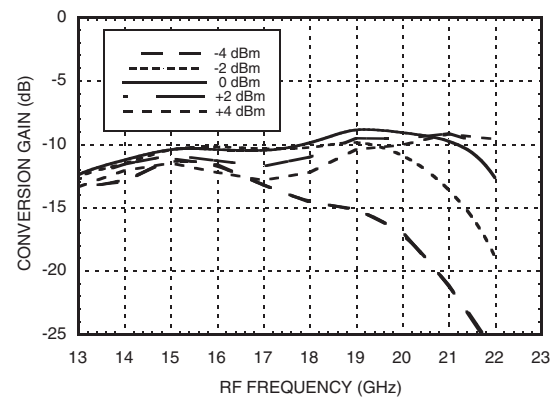
Return Loss @ LO = 0 dBm



IF Bandwidth @ LO = 0 dBm

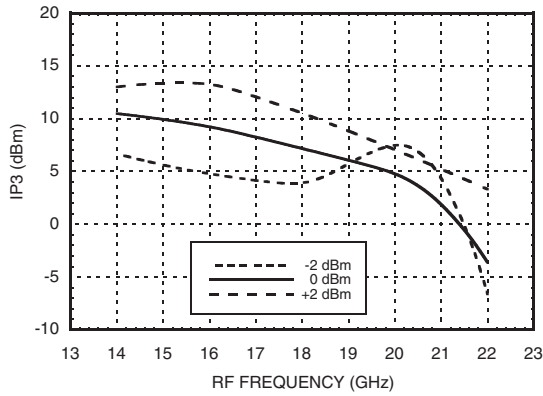


Upconverter Performance Conversion Gain vs. LO Drive

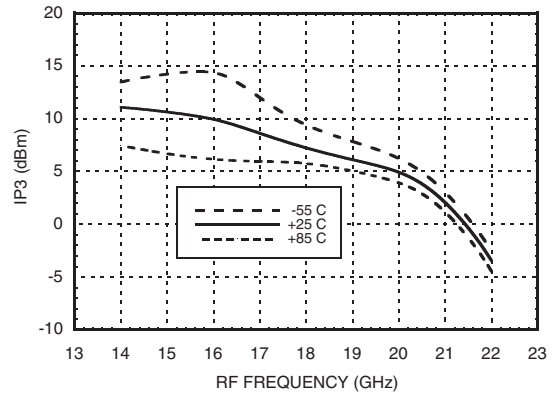


GaAs MMIC SUB-HARMONICALLY PUMPED MIXER, 14 - 21 GHz

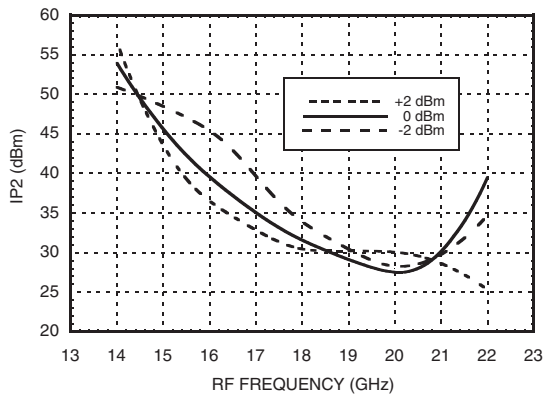
Input IP3 vs. LO Drive



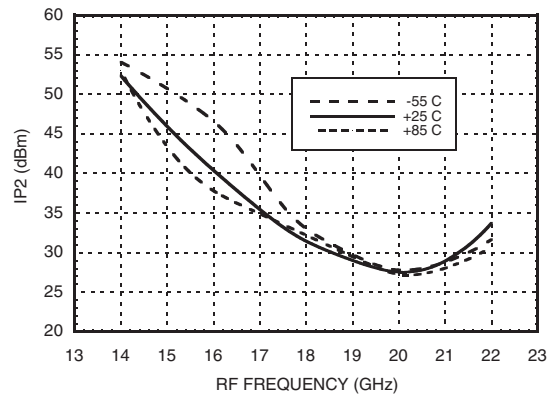
Input IP3 vs. Temperature @ LO = 0 dBm



Input IP2 vs. LO Drive



Input IP2 vs. Temperature @ LO = 0 dBm

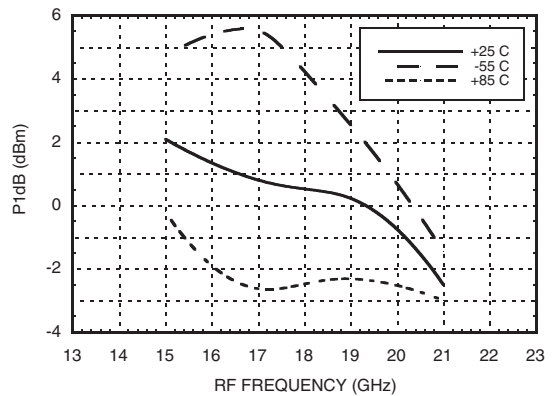


MxN Spurious Outputs @ LO Drive = 0 dBm

mRF	nLO					
	±5	±4	±3	±2	±1	0
-3						
-2	-44					
-1	-57	-18	-52			
0			-9	-26	+20	
1				X	-46	-2
2		-52	-30		-49	
3		-56				

RF = 18 GHz @ -10 dBm
 LO = 8.5 GHz @ 0 dBm
 All values in dBc below the IF power level

P1dB vs. Temperature @ LO = 0 dBm



GaAs MMIC SUB-HARMONICALLY PUMPED MIXER, 14 - 21 GHz

Absolute Maximum Ratings

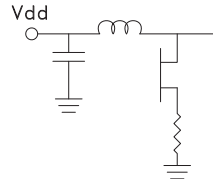
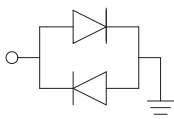
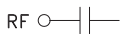
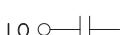
RF / IF Input (Vdd = +5V)	+13 dBm
LO Drive (Vdd = +5V)	+13 dBm
Vdd	+10 Vdc
Storage Temperature	-65 to +150 °C
Operating Temperature	-55 to +85 °C

NOTE: A 100pF single layer chip bypass capacitor is recommended on the Vdd port no further than 0.762 mm (30 mils) from the HMC258



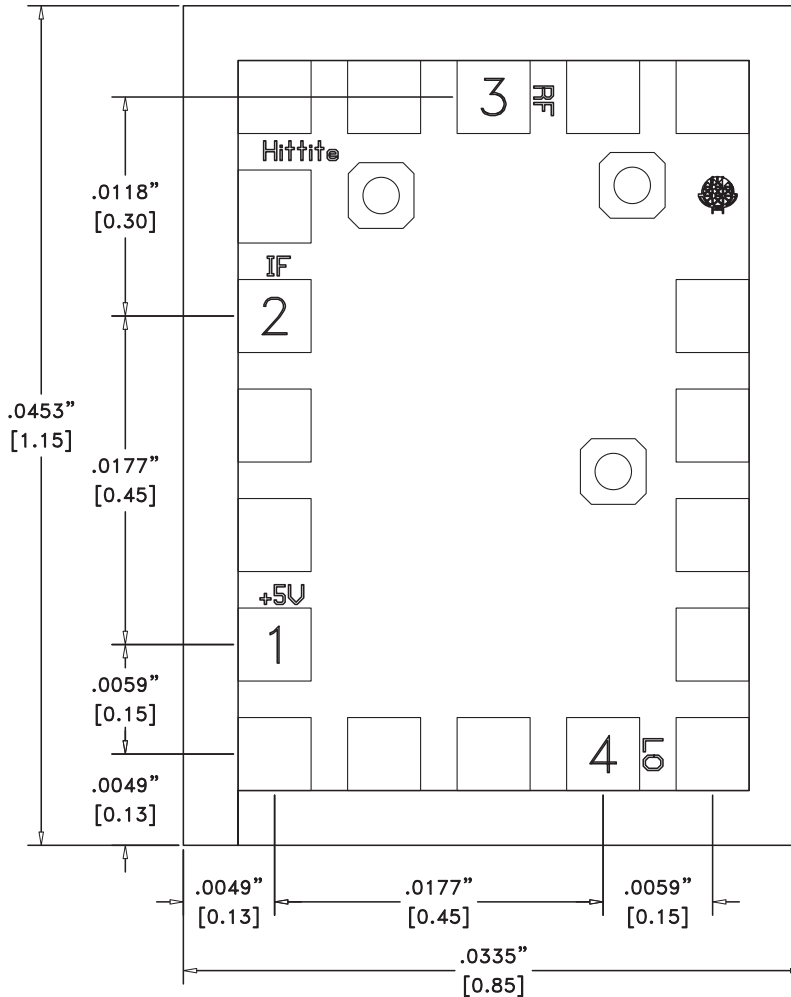
ELECTROSTATIC SENSITIVE DEVICE
OBSERVE HANDLING PRECAUTIONS

Pad Descriptions

Pad Number	Function	Description	Interface Schematic
1	Vdd	Power supply for the LO Amplifier. An external RF bypass capacitor of 100 - 330 pF is required. A MIM border capacitor is recommended. The bond length to the capacitor should be as short as possible. The ground side of the capacitor should be connected to the housing ground.	
2	IF	This pad is DC coupled and should be DC blocked externally using a series capacitor whose value has been chosen to pass the necessary IF frequency range. Any applied DC voltage to this pin will result in die non-function and possible die failure.	
3	RF	This pad is AC coupled and matched to 50 Ohm.	
4	LO	This pad is AC coupled and matched to 50 Ohm.	

GaAs MMIC SUB-HARMONICALLY PUMPED MIXER, 14 - 21 GHz

Outline Drawing



Die Packaging Information [1]

Standard	Alternate
WP-8 (Waffle Pack)	[2]

[1] Refer to the "Packaging Information" section for die packaging dimensions.

[2] For alternate packaging information contact Hittite Microwave Corporation.

NOTES:

1. ALL DIMENSIONS ARE IN INCHES (MM).
2. BOND PADS ARE .004" SQUARE.
3. TYPICAL BOND PAD SPACING CENTER TO CENTER IS .006".
4. BACKSIDE METALLIZATION: GOLD.
5. BOND PAD METALLIZATION: GOLD.
6. BACKSIDE METAL IS GROUND.
7. CONNECTION NOT REQUIRED FOR UNLABELED BOND PADS.

GaAs MMIC SUB-HARMONICALLY PUMPED MIXER, 14 - 21 GHz

Mounting & Bonding Techniques for Millimeterwave GaAs MMICs

The die should be attached directly to the ground plane eutectically or with conductive epoxy (see HMC general Handling, Mounting, Bonding Note).

50 Ohm Microstrip transmission lines on 0.127mm (5 mil) thick alumina thin film substrates are recommended for bringing RF to and from the chip (Figure 1). If 0.254mm (10 mil) thick alumina thin film substrates must be used, the die should be raised 0.150mm (6 mils) so that the surface of the die is coplanar with the surface of the substrate. One way to accomplish this is to attach the 0.102mm (4 mil) thick die to a 0.150mm (6 mil) thick molybdenum heat spreader (moly-tab) which is then attached to the ground plane (Figure 2).

Microstrip substrates should be brought as close to the die as possible in order to minimize bond wire length. Typical die-to-substrate spacing is 0.076mm (3 mils).

An RF bypass capacitor should be used on the Vdd input. A 100 pF single layer capacitor (mounted eutectically or by conductive epoxy) placed no further than 0.762mm (30 Mils) from the chip is recommended. The photo in figure 3 shows a typical assembly for the HMC258 MMIC chip.

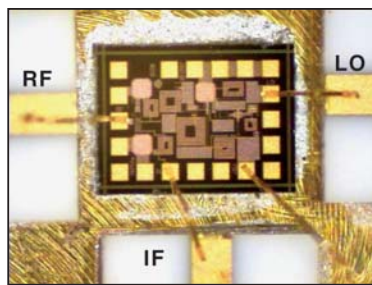
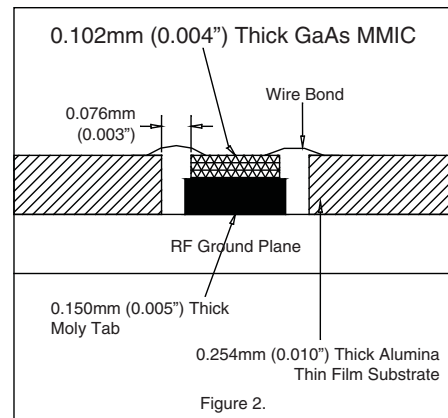
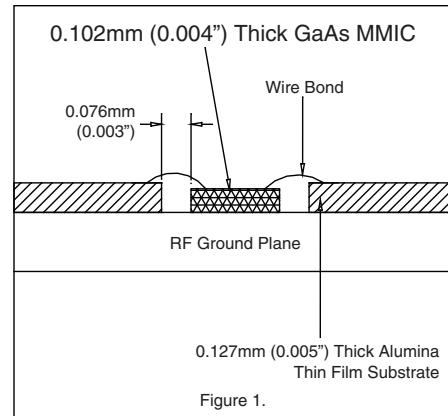


Figure 3: Typical HMC258 Assembly

Handling Precautions

Follow these precautions to avoid permanent damage.

Storage: All bare die are placed in either Waffle or Gel based ESD protective containers, and then sealed in an ESD protective bag for shipment. Once the sealed ESD protective bag has been opened, all die should be stored in a dry nitrogen environment.

Cleanliness: Handle the chips in a clean environment. DO NOT attempt to clean the chip using liquid cleaning systems.

Static Sensitivity: Follow ESD precautions to protect against ESD strikes.

Transients: Suppress instrument and bias supply transients while bias is applied. Use shielded signal and bias cables to minimize inductive pick-up.

General Handling: Handle the chip along the edges with a vacuum collet or with a sharp pair of bent tweezers. The surface of the chip has fragile air bridges and should not be touched with vacuum collet, tweezers, or fingers.

Mounting

The chip is back-metallized and can be die mounted with AuSn eutectic preforms or with electrically conductive epoxy. The mounting surface should be clean and flat.

Eutectic Die Attach: A 80/20 gold tin preform is recommended with a work surface temperature of 255 °C and a tool temperature of 265 °C. When hot 90/10 nitrogen/hydrogen gas is applied, tool tip temperature should be 290 °C. DO NOT expose the chip to a temperature greater than 320 °C for more than 20 seconds. No more than 3 seconds of scrubbing should be required for attachment.

Epoxy Die Attach: Apply a minimum amount of epoxy to the mounting surface so that a thin epoxy fillet is observed around the perimeter of the chip once it is placed into position. Cure epoxy per the manufacturer's schedule.

Wire Bonding

Ball or wedge bond with 0.025 mm (1 mil) diameter pure gold wire. Thermosonic wirebonding with a nominal stage temperature of 150 °C and a ball bonding force of 40 to 50 grams or wedge bonding force of 18 to 22 grams is recommended. Use the minimum level of ultrasonic energy to achieve reliable wirebonds. Wirebonds should be started on the chip and terminated on the package or substrate. All bonds should be as short as possible <0.31 mm (12 mils).