



v03.1105



HMC234C8

GaAs MMIC SMT HIGH ISOLATION SPDT SWITCH, DC - 8 GHz

Typical Applications

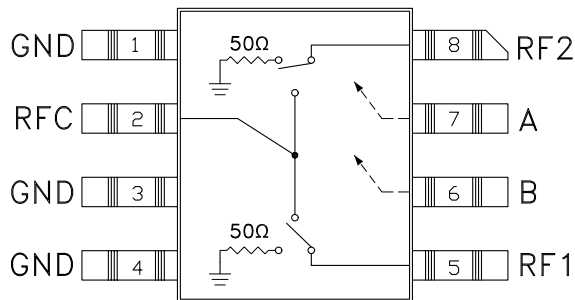
The HMC234C8 is ideal for:

- Telecom Infrastructure
- Microwave Radio & VSAT
- Military Radios, Radar & ECM
- Test Instrumentation

Features

- Isolation: 52 dB @ 2 GHz
40 dB @ 6 GHz
- Insertion Loss: 1.6 dB Typical @ 6 GHz
- Non-Reflective Design
- Surface Mount Ceramic Package

Functional Diagram



General Description

The HMC234C8 is a broadband high isolation non-reflective GaAs MESFET SPDT switch in a non-hermetic surface mount ceramic package. Covering DC to 8 GHz, the switch features >52 dB isolation up to 2 GHz and >38 dB isolation up to 8 GHz. The switch operates using complementary negative control voltage logic lines of -5/0V and requires no bias supply. This product is an excellent pin-for-pin replacement to the SMDI SSW124.

Electrical Specifications, $T_A = +25^\circ \text{C}$, With 0/-5V Control, 50 Ohm System

Parameter	Frequency	Min.	Typ.	Max.	Units
Insertion Loss	DC - 2.0 GHz		1.4	1.7	dB
	DC - 6.0 GHz		1.6	1.9	dB
	DC - 8.0 GHz		2.1	2.4	dB
Isolation	DC - 2.0 GHz	47	52		dB
	DC - 6.0 GHz	35	40		dB
	DC - 8.0 GHz	33	38		dB
Return Loss	"On State"	DC - 2.0 GHz	15		dB
		DC - 8.0 GHz	12		dB
Return Loss RF1, RF2	"Off State"	DC - 2.0 GHz	14		dB
		DC - 6.0 GHz	9		dB
		DC - 8.0 GHz	6		dB
Input Power for 1 dB Compression	0.5 - 8.0 GHz	22	26		dBm
Input Third Order Intercept (Two-Tone Input Power = +7 dBm Each Tone, 1 MHz Tone Separation)	0.5 - 8.0 GHz	40	46		dBm
Switching Characteristics	DC - 8.0 GHz	tRISE, tFALL (10/90% RF)	3		ns
		tON, tOFF (50% CTL to 10/90% RF)	5		ns

For price, delivery, and to place orders, please contact Hittite Microwave Corporation:
20 Alpha Road, Chelmsford, MA 01824 Phone: 978-250-3343 Fax: 978-250-3373

Order On-line at www.hittite.com

SUNSTAR射频通信 <http://www.rfoe.net/> TEL:0755-83397033 FAX:0755-83376182 E-MAIL: szss20@163.com



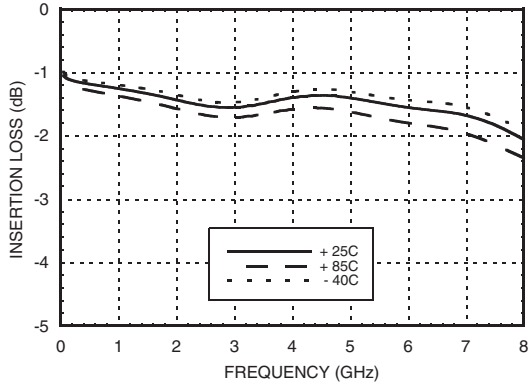
v03.1105



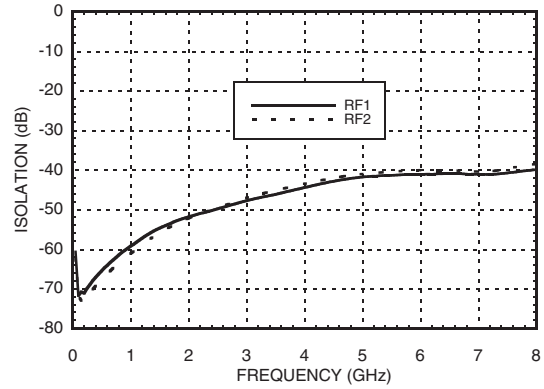
HMC234C8

GaAs MMIC SMT HIGH ISOLATION SPDT SWITCH, DC - 8 GHz

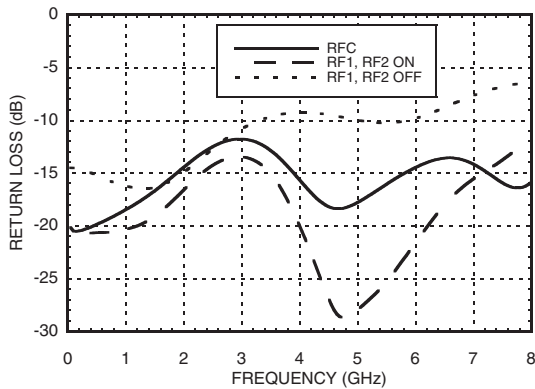
Insertion Loss



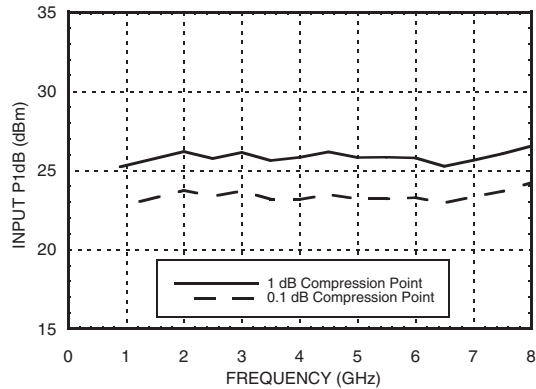
Isolation



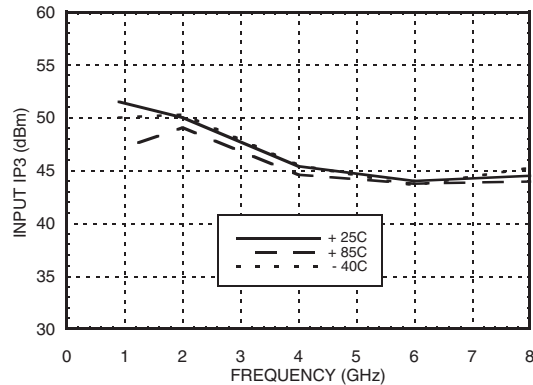
Return Loss



0.1 and 1 dB Input Compression Point



Input Third Order Intercept Point



10

SWITCHES - SMT

For price, delivery, and to place orders, please contact Hittite Microwave Corporation:
20 Alpha Road, Chelmsford, MA 01824 Phone: 978-250-3343 Fax: 978-250-3373

Order On-line at www.hittite.com

SUNSTAR射频通信 <http://www.rfoe.net/> TEL:0755-83397033 FAX:0755-83376182 E-MAIL: szss20@163.com



v03.1105



HMC234C8

GaAs MMIC SMT HIGH ISOLATION SPDT SWITCH, DC - 8 GHz

Absolute Maximum Ratings

RF Input Power (Vctl= -5V) (0.5 - 8 GHz)	+30 dBm (@ +50 °C)
Control Voltage Range (A & B)	+1.0V to -7.5 Vdc
Channel Temperature	150 °C
Thermal Resistance	94 °C/W
Storage Temperature	-65 to +150 °C
Operating Temperature	-40 to +85 °C
ESD Sensitivity (HBM)	Class 1A

Control Voltages

State	Bias Condition
Low	0 to -0.2V @ 10 uA Max.
High	-5V @ 10 uA Typ. to -7V @ 45 uA Typ.

Truth Table

Control Input		Signal Path State	
A	B	RFC to RF1	RFC to RF2
High	Low	ON	OFF
Low	High	OFF	ON



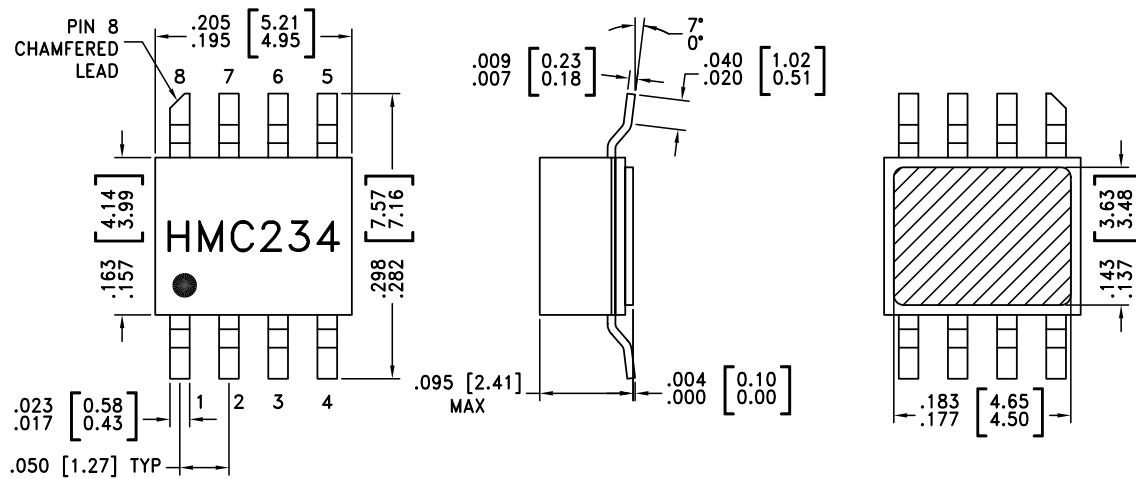
**ELECTROSTATIC SENSITIVE DEVICE
OBSERVE HANDLING PRECAUTIONS**

Caution: Do not "Hot Switch" power levels greater than +26 dBm (Vctl = 0/-5 Vdc).

10

SWITCHES - SMT

Outline Drawing



NOTES:

1. PACKAGE BODY MATERIAL: WHITE ALUMINA 92%
2. LEAD, PACKAGE BOTTOM MATERIAL: COPPER
3. PLATING: ELECTROLYTIC GOLD 100-200 MICROINCHES, OVER ELECTROLYTIC NICKEL 100-250 MICROINCHES.
4. DIMENSIONS ARE IN INCHES [MILLIMETERS].
5. PACKAGE LENGTH AND WIDTH DIMENSIONS DO NOT INCLUDE LID SEAL PROTRUSION .005 PER SIDE.
6. ALL GROUND LEADS AND GROUND PADDLE MUST BE SOLDERED TO PCB RF GROUND.

For price, delivery, and to place orders, please contact Hittite Microwave Corporation:
20 Alpha Road, Chelmsford, MA 01824 Phone: 978-250-3343 Fax: 978-250-3373

Order On-line at www.hittite.com



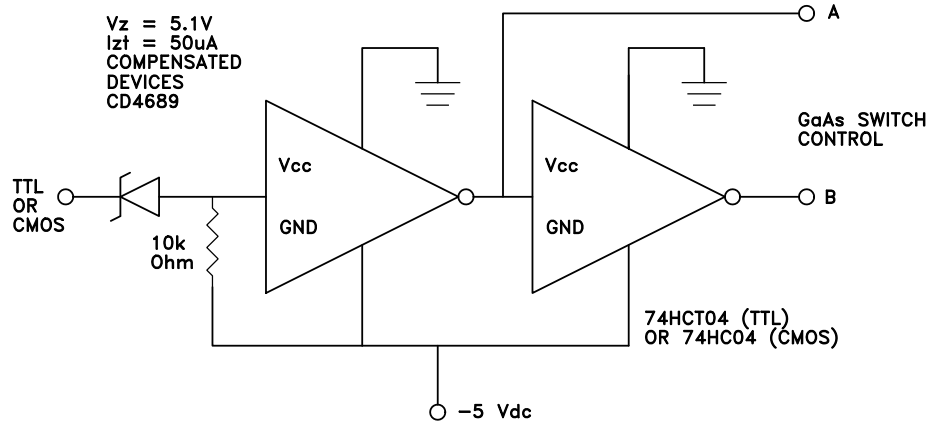
v03.1105



HMC234C8

GaAs MMIC SMT HIGH ISOLATION SPDT SWITCH, DC - 8 GHz

Suggested Driver Circuit



Pin Descriptions

Pin Number	Function	Description	Interface Schematic
1, 3, 4	GND	Package bottom must also be connected to PCB RF ground.	
2, 5, 8	RFC, RF1, RF2	This pin is DC coupled and matched to 50 Ohm. Blocking capacitors are required if RF line potential is not equal to 0V.	
6	B	See truth table and control voltage table.	
7	A	See truth table and control voltage table.	

For price, delivery, and to place orders, please contact Hittite Microwave Corporation:
 20 Alpha Road, Chelmsford, MA 01824 Phone: 978-250-3343 Fax: 978-250-3373

Order On-line at www.hittite.com



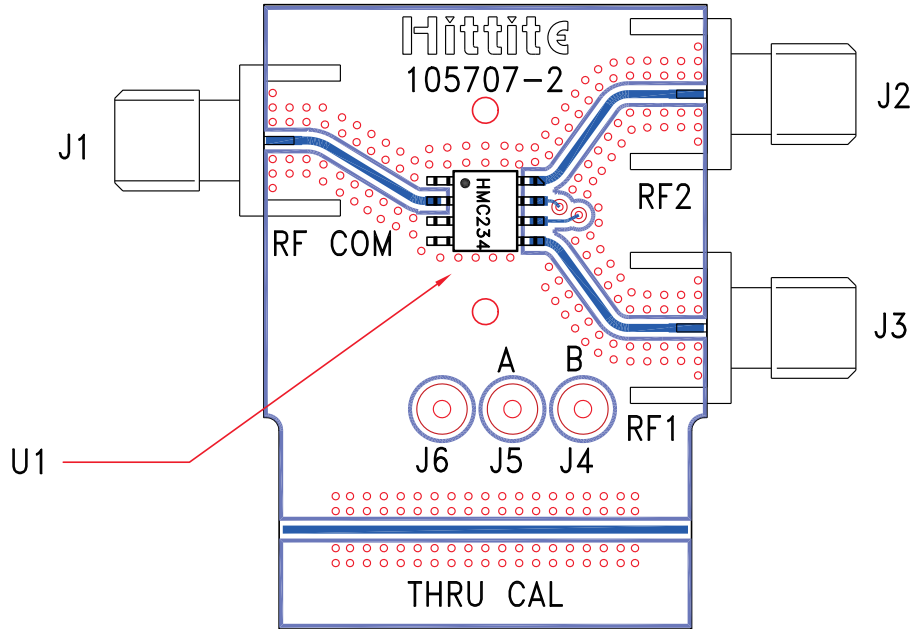
v03.1105

HMC234C8

GaAs MMIC SMT HIGH ISOLATION SPDT SWITCH, DC - 8 GHz



Evaluation PCB



10

SWITCHES - SMT

List of Materials for Evaluation PCB 105771 [1]

Item	Description
J1 - J3	PCB Mount SMA RF Connector
J4 - J6	DC Pin
U1	HMC234C8 SPDT Switch
PCB [2]	105707 Evaluation PCB

[1] Reference this number when ordering complete evaluation PCB

[2] Circuit Board Material: Rogers 4350

The circuit board used in the final application should be generated with proper RF circuit design techniques. Signal lines at the RF port should have 50 ohm impedance and the package ground leads and package bottom should be connected directly to the ground plane similar to that shown above. The evaluation circuit board shown above is available from Hittite Microwave Corporation upon request.

For price, delivery, and to place orders, please contact Hittite Microwave Corporation:
20 Alpha Road, Chelmsford, MA 01824 Phone: 978-250-3343 Fax: 978-250-3373

Order On-line at www.hittite.com

SUNSTAR射频通信 <http://www.rfoe.net/> TEL:0755-83397033 FAX:0755-83376182 E-MAIL: szss20@163.com



HMC234C8

**GaAs MMIC SMT HIGH ISOLATION
SPDT SWITCH, DC - 8 GHz**

Notes: