

MODEL No. NJT8318 & NJT8319 series

< Features >

* High Temperature Operating

- Operation Guarantee Temperature Range: -40 to +75 degree C

* RF Frequency Line-up

- Universal Ku-band: 13.75 to 14.5 GHz
- Standard Ku-band: 14.0 to 14.5 GHz

* High Efficiency Output Power

(8W Model)

- P1dB: +39 dBm min. over temperature
- Power Consumption: 90 W max.
- IM3: -28 dBc @ Pout <= +36 dBm

(16W Model)

- P1dB: +42 dBm min. over temperature
- Power Consumption: 170 W max.
- IM3: -28 dBc @ Pout <= +39 dBm

* FSK Modulation M&C Equipped

* Smaller Size & Lighter Weight

- Dimension: 180 (L) x 130 (W) x 80 (H) mm
- Weight: 2.4 kg



< Line-Up >

Model No.	RF Frequency	Local Frequency	IF Frequency	Output Power @ P1dB	IF Connector	Port for Voltage Input	Power Supply	M&C Option		
NJT8319N	14.0 to 14.5GHz (Standard Ku-band)	13.05 GHz	950 to 1,450 MHz	16W Linear (+42dBm min.)	N-type	Same as IF Connector	+36 to +60 V DC Power	N/A		
NJT8319F					F-type	IF Connector				
NJT8319NM					N-type	MS Connector (Separate Port)				
NJT8319FM					F-type	(Separate Port)				
NJT8319NK					N-type	Same as IF Connector				
NJT8319FK					F-type	IF Connector				
NJT8319NMK	N-type	MS Connector (Separate Port)	+36 to +60 V DC Power	FSK Communication M&C						
NJT8319FMK	F-type	(Separate Port)								
NJT8319UN	13.75 to 14.5GHz (Universal Ku-band)	12.80 GHz			950 to 1,700 MHz	16W Linear (+42dBm min.)	N-type	Same as IF Connector	+36 to +60 V DC Power	N/A
NJT8319UF							F-type	IF Connector		
NJT8319UNM							N-type	MS Connector (Separate Port)		
NJT8319UFM							F-type	(Separate Port)		
NJT8319UNK			N-type	Same as IF Connector						
NJT8319UFK			F-type	IF Connector						
NJT8319UNMK	N-type	MS Connector (Separate Port)	+36 to +60 V DC Power	FSK Communication M&C						
NJT8319UFMK	F-type	(Separate Port)								
NJT8318N	14.0 to 14.5GHz (Standard Ku-band)	13.05 GHz			950 to 1,450 MHz	8W Linear (+39dBm min.)	N-type	Same as IF Connector	+18 to +60 V DC Power	N/A
NJT8318F							F-type	IF Connector		
NJT8318NM							N-type	MS Connector (Separate Port)		
NJT8318FM							F-type	(Separate Port)		
NJT8318NK			N-type	Same as IF Connector						
NJT8318FK			F-type	IF Connector						
NJT8318NMK	N-type	MS Connector (Separate Port)	+18 to +60 V DC Power	FSK Communication M&C						
NJT8318FMK	F-type	(Separate Port)								
NJT8318UN	13.75 to 14.5GHz (Universal Ku-band)	12.80 GHz			950 to 1,700 MHz	8W Linear (+39dBm min.)	N-type	Same as IF Connector	+18 to +60 V DC Power	N/A
NJT8318UF							F-type	IF Connector		
NJT8318UNM							N-type	MS Connector (Separate Port)		
NJT8318UFM							F-type	(Separate Port)		
NJT8318UNK			N-type	Same as IF Connector						
NJT8318UFK			F-type	IF Connector						
NJT8318UNMK	N-type	MS Connector (Separate Port)	+18 to +60 V DC Power	FSK Communication M&C						
NJT8318UFMK	F-type	(Separate Port)								

*Note: The contents of this sheet are subject to change without notice.

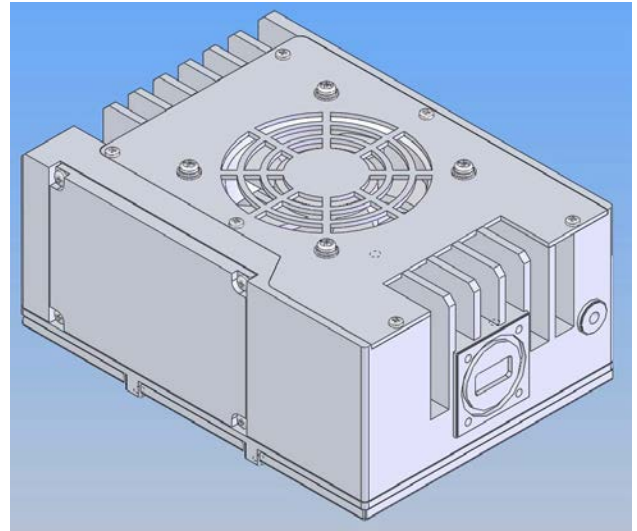
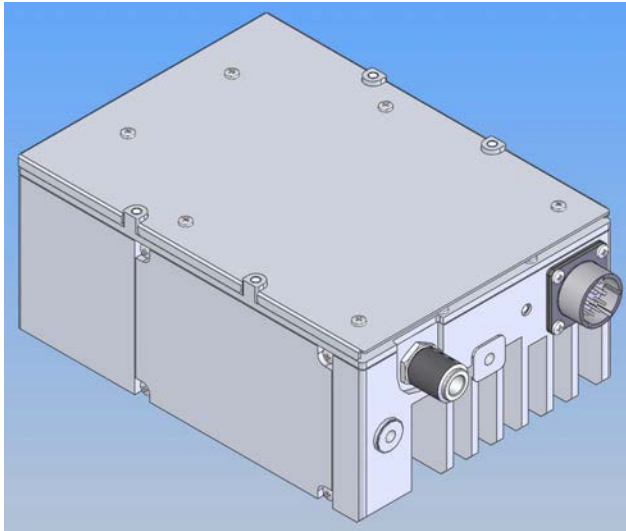
MODEL No. NJT8318 & NJT8319 series

< Specifications >

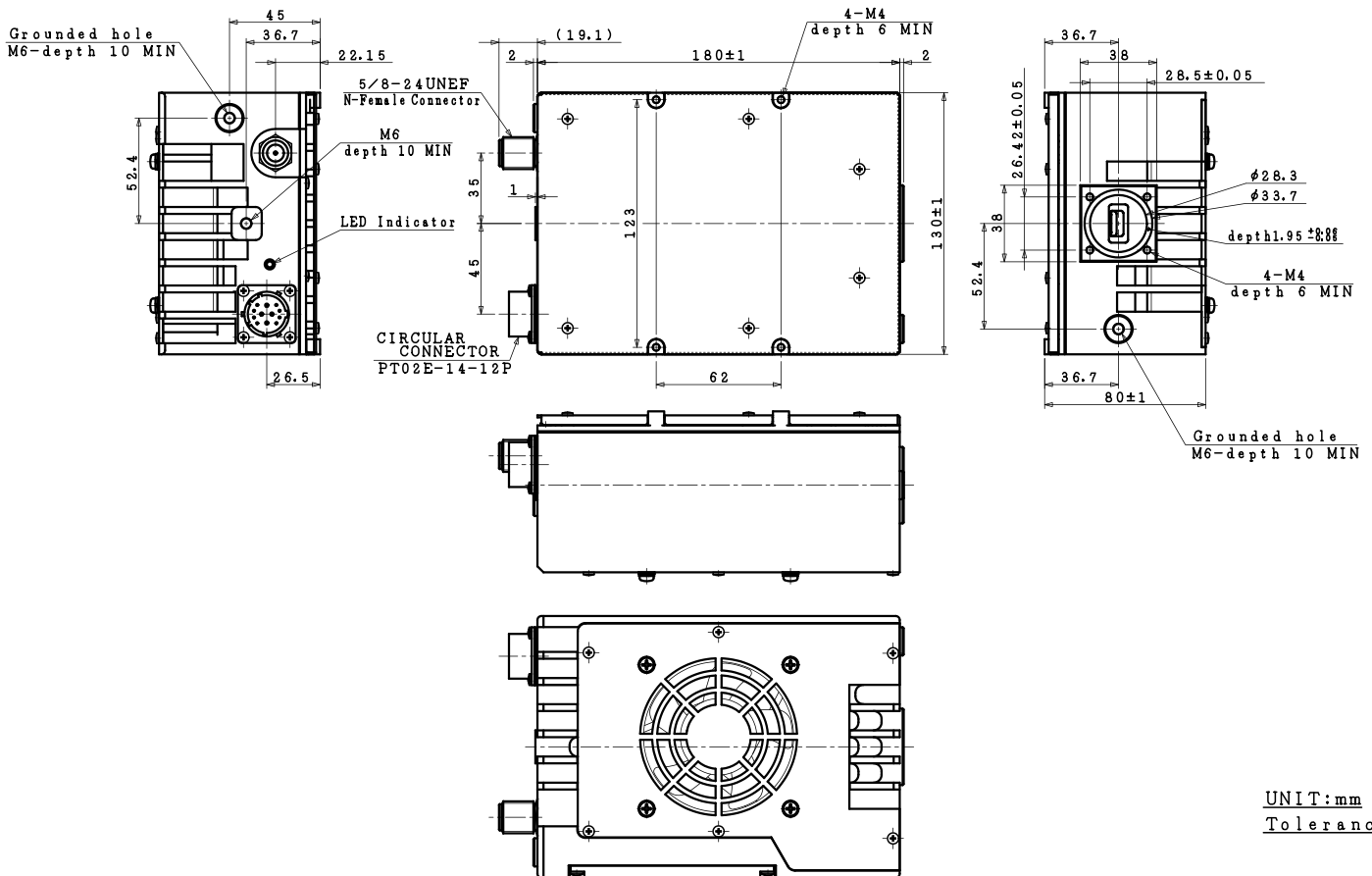
Item	Specifications	
	8W (+39 dBm min.)	16W (+42 dBm min.)
Output Power @ 1dB G.C.P. (P1dB)	+39 dBm min. over temperature	+42 dBm min. over temperature
Linear Gain	65 dB nom., 59 dB min.	68 dB nom., 62 dB min.
Gain Variation over frequency	Standard Ku-band: 5 dBp-p max. over 500 MHz / 2 dBp-p max. over 36 MHz Universal Ku-band: 5 dBp-p max. over 750 MHz / 2 dBp-p max. over 36 MHz	
Gain Stability over temperature	2 dBp-p typ., 5 dBp-p max.	
IM3	-28 dBc typ., -24 dBc max. @ total power ≤ Pout – 3dB	
ACPR	-28 dBc typ. @ Pout ≤ Pout – 1dB	
L.O. Phase Noise	-60 dBc/Hz max. @ 100 Hz -70 dBc/Hz max. @ 1 kHz -80 dBc/Hz max. @ 10 kHz -90 dBc/Hz max. @ 100 kHz -100 dBc/Hz max. @ 1 MHz	
Input V.S.W.R.	2 : 1 max.	
Output V.S.W.R.	2 : 1 max.	
DC Power Requirement (1) Voltage Range (2) Power Consumption	+18 to +60 VDC	+36 to +60 VDC
@ No IF Signal @ P1dB	65 W typ. 90 W max.	140 W typ. 170 W max.
Mute	Shut off the HPA in case of L.O. unlocked or no 10 MHz reference signal	
LED Indicator	GREEN: L.O. locked / RED: L.O. unlocked (or no 10 MHz reference signal)	
M&C Function	FSK Modulation M&C: Power Monitor / TX On/Off Control / Alarm ... etc	
Temperature Range (ambient)	Operating: -40 to +75 C (Operation Guarantee) -40 to +55 C (Performance Guarantee) Storage: -40 to +75 C	
Dimension & Housing	180 (L) x 130 (W) x 80 (H) mm [7.09" (L) x 5.12" (W) x 3.15" (H)] without interface connector and screws	
Weight	2.4 kg max. [5.3 lbs max.]	

MODEL No. NJT8318 & NJT8319 series

< Outline >



< Drawing >



UNIT:mm
Tolerance:±0.5

*Note: The contents of this sheet are subject to change without notice.

MODEL No. NJT8318 & NJT8319 series

AC Power Operating Option

200W AC/DC Power Supply Unit (PSU) - ODU -

< Features >

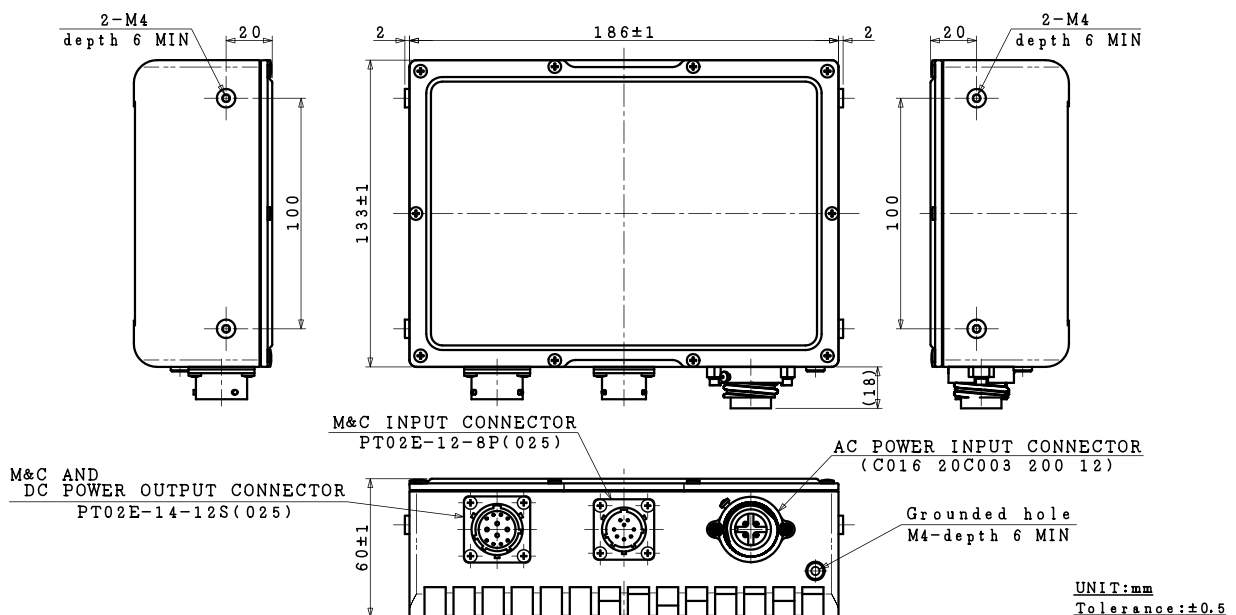
- * Outdoor AC/DC Power Supply
 - Active Power Factor Correction (PFC) Equipped
 - Input AC Voltage: 90 to 240 V
 - Output DC Voltage: 48 V typ.
 - Output DC Power: 200 W max.
- * Compact Size & Light Weight
 - Dimension: 186 (L) x 133 (W) x 60 (H) mm
 - Weight: 1.6 kg



< Specifications >

Item	Specifications
Input AC Voltage Range	90 to 240 V
Input AC Power	300 VA max.
Output DC Voltage	+48 V typ.
Output DC Power Capacity	200 W max.
Efficiency	90 %
Power Factor	0.9
Temperature Range (ambient)	Operating: -40 to +55 C Storage: -40 to +75 C
Dimension & Housing	186 (L) x 133 (W) x 60 (H) mm [7.32" (L) x 5.24" (W) x 2.36" (H)] without interface connector and screws
Weight	1.6 kg max. [3.5 lbs max.]

< Outline >



*Note: The contents of this sheet are subject to change without notice.

Rev.04 Ku 8W/16W BUC_NJT8318/19 (4/4)