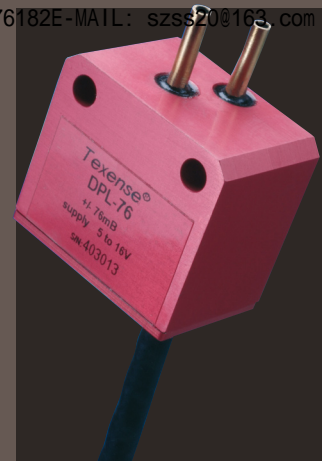


**Tect Electronics**

The authorized distributor in the Greater China Region



texense
world pro by TEXYS



DRY AIR DIFFERENTIAL LOW PRESSURE SENSORS

Not sensible to gravity

Aluminium housing

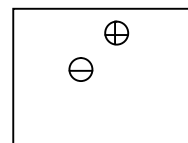
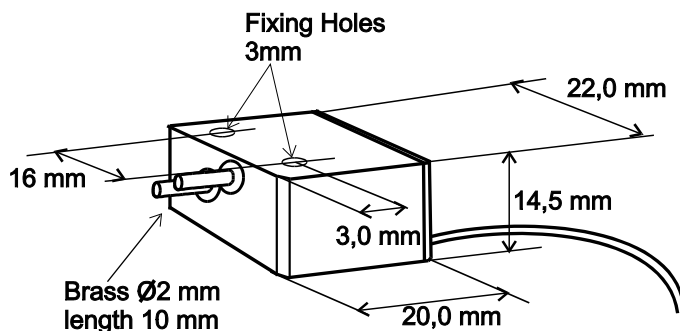
Dimensions : 22 x 20 x 14.5 mm**Weight :** 25 g**Ranges :** 25 to 76 mBars**Supply :** 5 to 16 Volts**Offset :** 0.5 +/- 0.1 Volt, or 2.5 +/- 0.1 Volts**Sensitivity :** 4Volts / Full scale**Temperature :** -20 to +85 °C

Range (inches of water)	< 5	5 to 15	> 15
Hysteresis + non-linearity error	0.25% Full Scale	0.25% Full Scale	0.25% Full Scale
Offset temperature drift Max (0 to 80°C)	40 mV	20 mV	20mV
Sensitivity drift Max (0 to 80°C)	2% Full scale	1% Full scale	1% Full Scale
Gravity sensitivity Max error	10 mV/G	5 mV/G	1mV/G

Connection :

1 metre of 3 x AWG 26 PTFE shielded cable (other length or wires on request)

Cable shield connected to case

Std connections Red : Supply (5-16 Volts) **White :** Output signal **Blue :** GND (0 Volt)Pressure Ports
Front view