

SEC Gas Sensor

CARBON MONOXIDE 4 S 4000 ppm

Technical Specification

<i>Sensor Type</i>	CO Sensor 4 S
<i>Detectable Gases</i>	Carbon Monoxide
<i>Part Number</i>	01-04-40-02
<i>Measuring Principle</i>	Amperometric 3-electrode sensor
<i>Contact</i>	3 gold pins*
Standard Range	0 – 4000 ppm
Lower Detectable Limit (LDL)	2 ppm
Maximum Range	4000 ppm
MAK/TLV	30 ppm
Long Term Sensitivity Drift	< 1 % / month
Linearity at standard range	linear
Repeatability	> 98 % of signal
Zero current at normal conditions	+/- 100 nA
Sensitivity	30 ... 50 nA/ppm
Response time at target level	
T50	< 10 s
T90	< 30 s
Sensor warm up time typically	60 s
Operating conditions	- 20°C ... +50°C
	10 ... 95 % r. h.
Expected life time	5 years



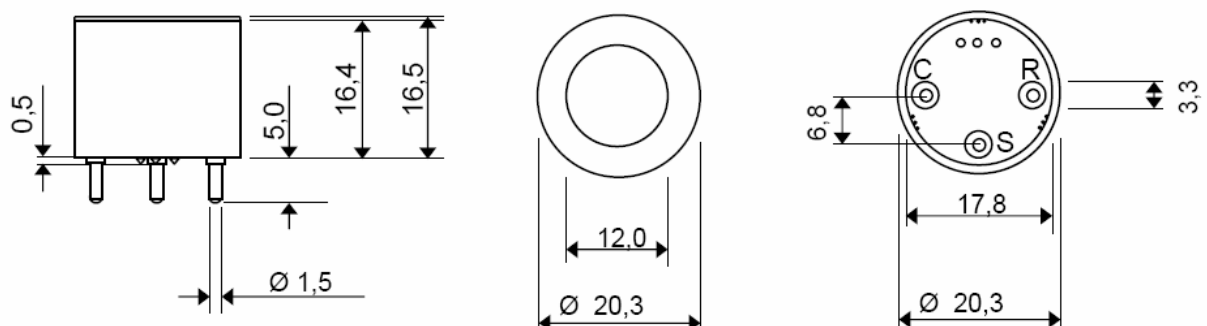
CARBON MONOXIDE 4 S

Dimensional Drawing

Sensor dimensions

Ø 20,3 mm; High 21,5 mm

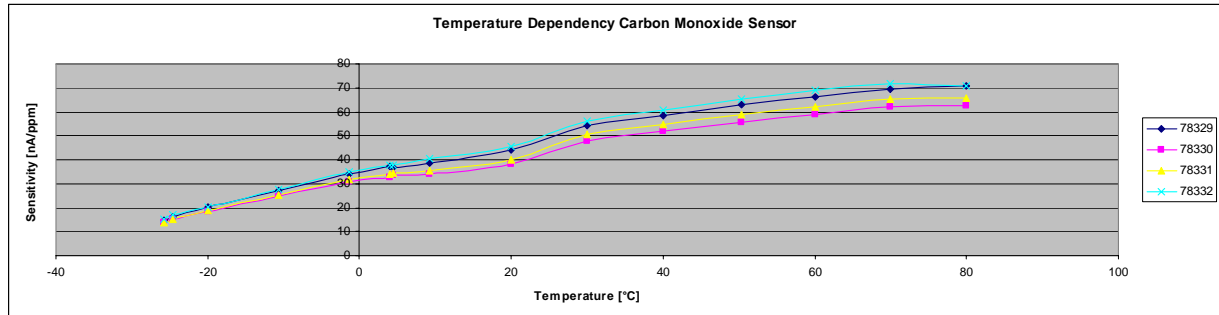
± 0,15 mm tolerance



SEC Gas Sensor

Carbon Monoxide 4 S

Temperature Dependence



Carbon Monoxide 4 S

Cross Sensitivity

Gas	Formula	Test Gas Concentration	Reading in ppm
Ammonia	NH ₃	25 ppm	0
Carbon Dioxide	CO ₂	5000 ppm	0
Chlorine	Cl ₂	1.0 ppm	0
Hydrocarbons unsaturated	-	1 %	0.0
Hydrogen	H ₂	100 ppm	30
Hydrogen Sulphide	H ₂ S	10 ppm	30
Isopropanol	C ₃ H ₇ OH	1000 ppm	0
Nitric Oxide	NO	20 ppm	0
Nitrogen Dioxide	NO ₂	10 ppm	0
Ozone	O ₃	0.5 ppm	0
Sulphur Dioxide	SO ₂	20 ppm	0

Note:

Test conditions at 20°C/ 1013 hPa, Flow Rate > 500 qcm/min
 Cross sensitivity gases are not target gases. Relation can change with aging.

SolidSense GmbH believes the data contained herein are factual, and the opinions expressed are of qualified experts regarding the results of tests conducted, the data are not to be taken as warranty or representation which SolidSense assumes legal responsibility. The data are offered solely for consideration, investigation, and verification. Any use of these data and information must be determined by the user to be in accordance with federal, state, and local laws and regulations. Specifications are subject to change without notice.

SolidSense GmbH - Felix-Wankel-Str. 5 - 82152 Krailling, Germany

Tel: +49 89 893 255 21 – Fax: +49 89 850 9374 – info@solidSense.de – www.solidSense.de