

Signal calculator

2289



- Two analog inputs
- Multiple functions
- Front-programmable
- 3-digit LED display
- Version with a Pt100 input
- Analog output



Advanced features

- Programmed via the user interface which consists of a 3-digit display and 3 function keys in the front panel.

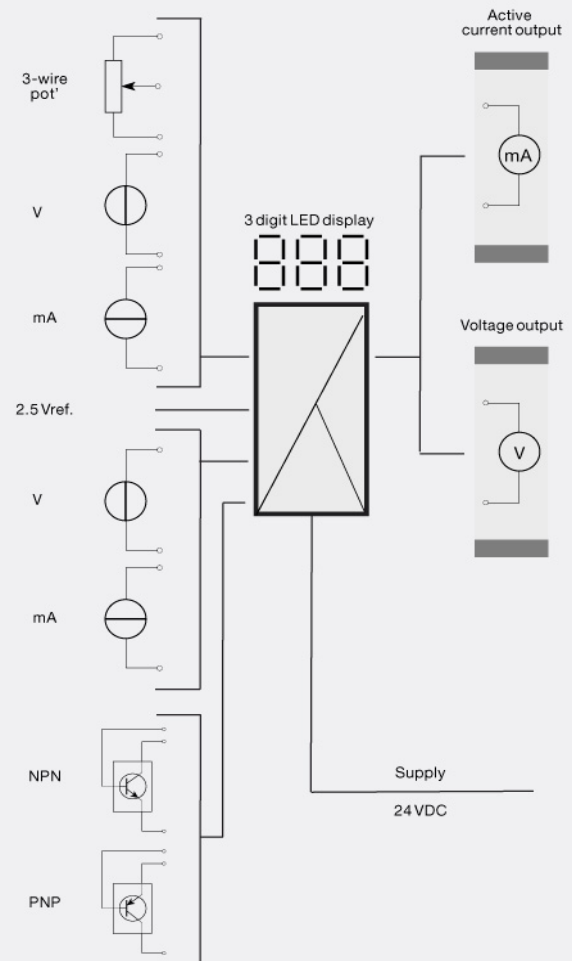
Application

- Operates as a PID controller with an analog or a Pt100 input.
- Functions include a manual / automatic controller, an analog calculator with a scale function on both inputs, a samplehold transmitter, a peak-hold transmitter, a delay transmitter, a signal limiter, averaging of noisy signals, monitoring of a signal's slope, or an analog multiplexer.

Technical characteristics

- The A and B inputs can be programmed to receive current signals in the range 0...20 mA (eg. 4...20 mA), or voltage signals in the range 0...10 VDC.
- Input A is a linearized Pt100 with a 3-wire connection. input B is an analog current / voltage input.
- Digital inputs are jumper selectable NPN or PNP.
- Analog standard current / voltage output of 0/4...20 mA / 0/2...10 VDC.
- Both the input signals and the output signal can be inverted.
- Mounting for a standard 11-pole socket which can be adapted for DIN rail or plate use with PR's 7023 adaptor and 7024 mounting keying. In environments with strong vibrations the PR 7002 can be mounted as an additional safety catch for system 2200 devices on the relay socket.

Connections



Order:

Type	Input
2289	Current / voltage : A Pt100 & current / voltage : B

Environmental Conditions

Specifications range..... -20°C to +60°C
 Calibration temperature..... 20...28°C
 Relative humidity..... < 95% RH (non-cond.)
 Protection degree..... IP50

Mechanical specifications

Dimensions (HxWxD)..... 80.5 x 35.5 x 84.5 mm (D is without pins)
 Weight approx..... 130 g

Common specifications

Supply voltage..... 19.2...28.8 VDC
 Max. power consumption..... 2.7 W
 Internal consumption..... 2.4 W
 Signal / noise ratio..... Min. 60 dB
 Response time..... < 60 ms
 Updating time..... 20 ms
 Signal dynamics, input..... 20 bit
 Signal dynamics, output..... 16 bit
 Proportional band (XP)..... 0.01...999%
 Gain, 1/XP =..... 0.1...10000
 Integrating time (TI)..... 0...999 s
 Differentiating time (TD)..... 0...999 s
 Effect of supply voltage change..... < ±0.002% of span / %V
 Auxiliary voltages: Reference voltage..... 2.5 VDC ±0.5% / 15 mA
 Temperature coefficient..... < ±0.01% of span / °C
 Linearity error..... < 0.1% of span
 EMC immunity influence..... < ±0.5%

Input specifications

Max. offset..... 50% of selected max. value
 Current input: Measurement range..... 0...20 mA
 Min. measurement range (span), current input..... 4 mA
 Input resistance, current input..... Nom. 50 Ω
 Voltage input: Measurement range..... 0...10 VDC
 Min. measurement range (span), voltage input..... 200 mV
 Input resistance, voltage input..... Nom. 10 MΩ
 NPN, digital input..... Pull up 24 VDC / 6.9 mA
 PNP, digital input..... Pull down 0 VDC / 6.9 mA
 Pulse length..... > 50 ms
 RTD input..... Pt100 (2289B)
 Cable resistance per wire (max.), RTD..... 25 Ω
 Sensor current, RTD..... Nom. 1.25 mA

Output specifications

Max. offset..... 50% of selected max. value
 Current output: Signal range..... 0...20 mA
 Min. signal range..... 5 mA
 Load (max.)..... 20 mA/600 Ω/12 VDC
 Load stability, current output..... ≤0.01% of span/100 Ω
 Current limit..... 20.5 mA
 Voltage output through internal shunt..... See manual for details
 *of span..... = of the presently selected range

Approvals

EMC..... EN 61326-1
 GOST R..... Yes