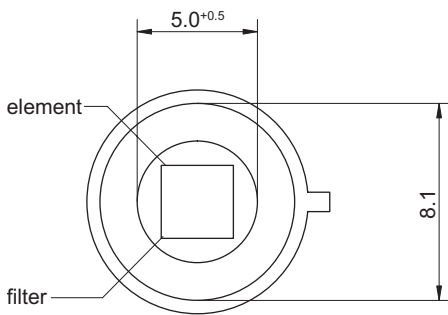
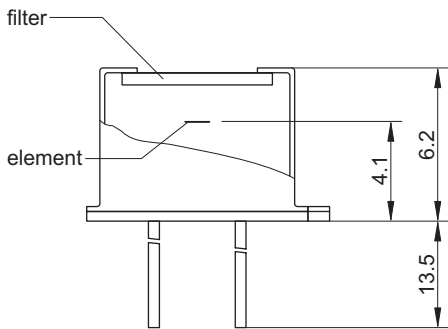
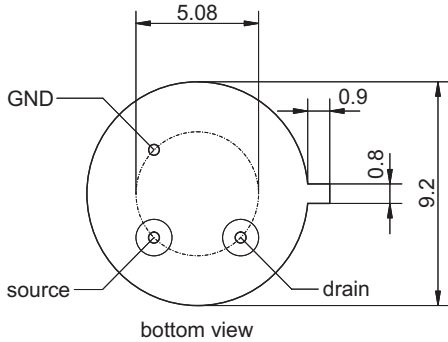


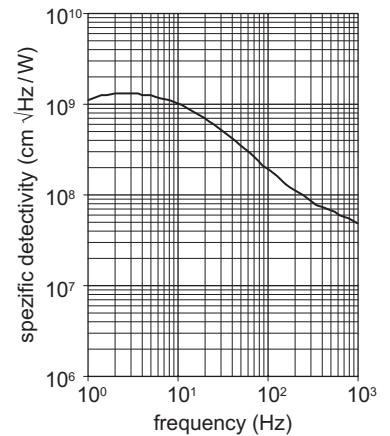
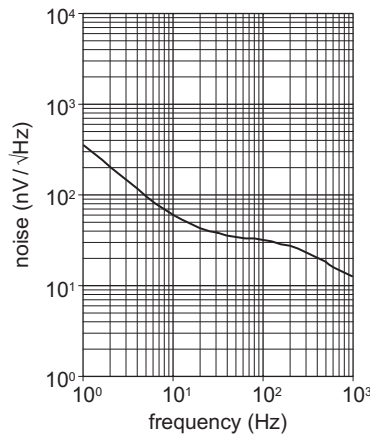
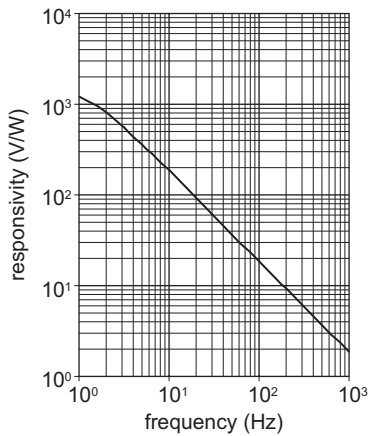
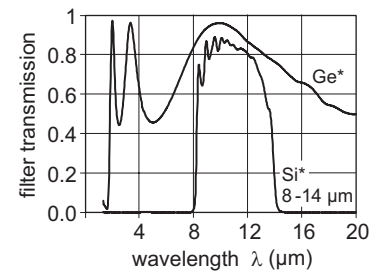
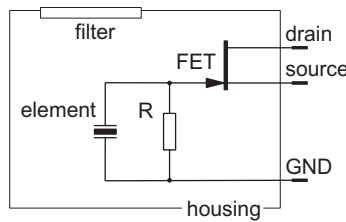
HPS A04G

Pyroelectric Single Element Detector for Measurement Applications



| | |
|-------------------------------------|--------------------------------|
| element size | 3 mm × 3 mm |
| aperture | 5.0 ^{+0.5} mm |
| filter ³ | Ge* or Si* (8–14 μm) |
| responsivity ^{1,2} | > 180 V/W |
| noise ¹ | < 60 nV/√Hz |
| specific detectivity ^{1,2} | > 10 · 10 ⁸ cm√Hz/W |
| offset voltage | 0.4–1.5 V |
| operating voltage | 2–18 V |
| housing | TO 39 |
| operating temperature | –20 to 60 °C |
| storage temperature | –20 to 60 °C |

1) frequency: 10 Hz, detector temperature: 25 °C
 2) blackbody source temperature: 500 K, filter transmission: 100 %
 3) other filters on request



Further developments may entail modifications of indicated data without notification. Revision 04/2003. 27042003 hpsa04g_eng