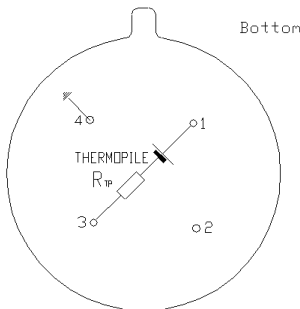
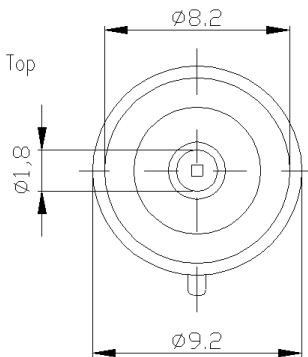
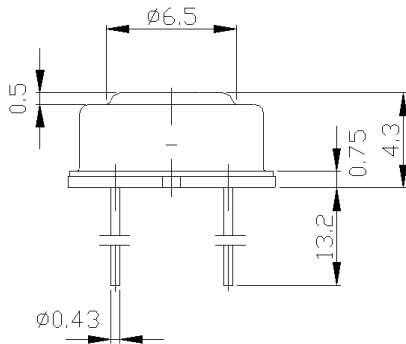




HTS-HT Series

Thermopile Sensors for High Temperature Measurement

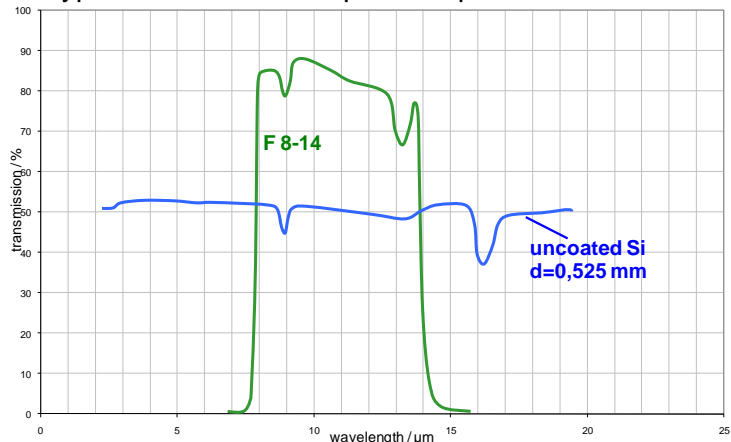
The HTS Series of CMOS compatible thermopile sensor chips in a TO39 size transistor housing, features good sensitivity, small temperature coefficient of sensitivity and high reproducibility and reliability. the sensors from the HT series can be operated up to 180 °C.



Parameter	HTS-HT A10 F8-14	Unit
element size	0,61 ²	mm ²
voltage response ¹	6,5	V mm ² /W
sensitivity ¹	18	V/W
resistance R _{TP} ²	86	kOhm
TC of resistance R _{TP} ²	0.02	% / K
noise ²	38	nV/ Hz ^{1/2}
detectivity ^{1,2}	2.9 10 ⁷	cm Hz ^{1/2} / W
time constant	< 6	ms
thermistor reference ²	without	kOhm
field of view ⁴	75	°
operating temperature	-20 ... 180	°C
storage temperature	-40 ... 185	°C

- 1) filter type F8-14, Tobj=100°C, DC
- 2) at Tamb=25°C
- 3) 25°C, 50°C
- 4) deg at 50% signal level

Typical Transmission 8µm to 14µm Filter



Modifications reserved, Rev.01 / 28.07.2011