

## MV2A

### Vacuum Measurement Controller

Measurement Range: 20 Torr to 1 Millitorr

(20 Torr to 1 Micron)

#### Product Features

- Digital Display: Large red LED, easily read
- Process Relays: Two setpoint relays with front panel adjustment and status display
- Linear Analog Output
- Will operate a variety of type 2A thermocouple sensors
- Standard Enclosure: 1/8 DIN Format for panel mount



#### PRODUCT DESCRIPTION

The Microvac 2A is a single channel vacuum measurement and control instrument in a compact 1/8 DIN package format. The MV2A displays the measured pressure on a large 3.5 digit red LED display that is easily read from several feet away. The instrument incorporates dual relay setpoints for process control purposes and a linear analog output. A variety of Televac type 2A thermocouple sensors and various standard cable lengths are available to use with this instrument.

#### PRODUCT APPLICATIONS

- Air Conditioner Manufacture
- Basic Vacuum Monitoring
- Chilling of Produce
- Distillation & Degassification
- Electron Beam Welding
- Freeze Drying
- House Vacuum Systems
- Instrument Calibration & Metrology
- Lamp & Laser Manufacture
- Materials Handling & Transport
- Optical Coating
- Pump Repair & Maintenance
- Refrigeration System Manufacture
- Space & Altitude Simulation
- Thermal Processing
- Vacuum Brazing

## PRODUCT SPECIFICATIONS

Operating Range: 20 Torr to 1 Millitorr

Calibrated: Factory Calibrated for Nitrogen

Operating Temperature: 0 to 40 degrees C

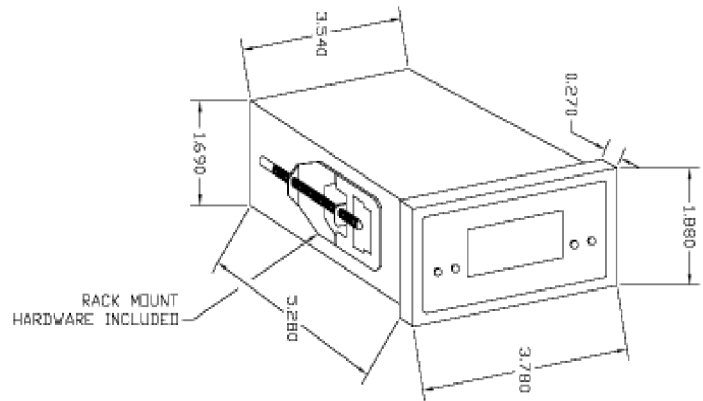
Operating Voltage: 90 to 135 VAC, 60 Hz\*

Relay Contact Rating: 5 Amps @ 240 volts

Output: Linear between 1 Torr & 1 Millitorr

Display: 7 segment LED, 3.5 digits, 3/4" high

Shipping Weight: 2.44 pounds with mtg. hardware



\*consult factory for other voltages and freq.

## ORDERING INFORMATION

### Product Description

### Part Number

Microvac 2A Instrument & Power Cord	2-7900-071
Sensor Cable, 3' length	2-9800-076
Sensor Cable, 10' length	2-9800-077
Sensor Cable, 20' length	2-9800-078
Sensor Cable, 35' length	2-9800-079
Sensor Cable, 50' length	2-9800-080
Type 2A Thermocouple Sensor, Ni Plated Forged Brass Body**	2-2100-10
Type 2A Thermocouple Sensor, Stainless Body**	2-2126-001
VacuMini Thermocouple Sensor with Weather Cap	2-2100-102
Single Point Simulator	2-2100-237
Three Point Simulator, Selectable 1000mT, 100mT or 0 Output	2-2100-242

\*\* 1/8" NPT connection. All standard connection flanges available. Consult factory.

A Division of The Fredericks Company  
2400 Philmont Avenue  
Huntingdon Valley, PA 19006-0067  
Phone - 215.947.2500  
Fax - 215.947.7464  
E-mail sales@televac.com  
www.televac.com

# TELEVAC