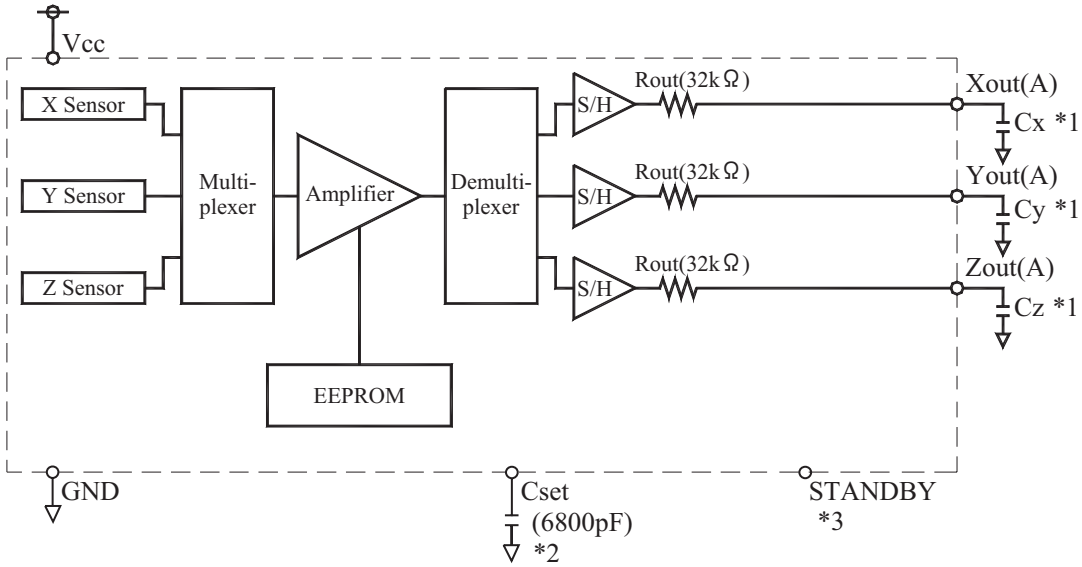


■ Block Diagram



*1 ★Band setting of Analog Output

It is possible to limit bandwidth for each analog output on HAAM-313B. It is done by connecting a capacitor to each output terminal and forming low-pass filter with inner resistor. 3dB bandwidth is calculated by the following fomula.

$$F_{-3dB} = \frac{1}{(2\pi(32k\Omega) \times C_{(X,Y,Z)})}$$

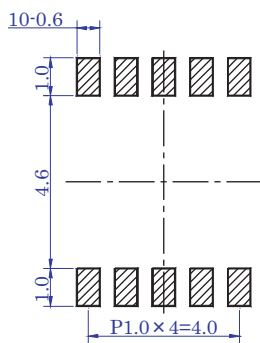
Table.Capacitor Selection (Cx,Cy,Cz)

Bandwidth	Capacitor Value
2Hz	2.20μF
10Hz	0.47μF
50Hz	0.10μF

*2 ★Capacitor to cut internalnoise Please connect 6800pF.

*3 ★Mode selection (Operating or Standby) can be done by setting Standby terminal, which High sets Operating mode and Low sets Standby mode.

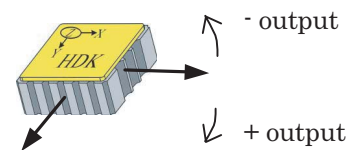
■ Recommended Footprint



This dimensional information does not guarantee soldering. Please use it upon checking in advance at customer side.

■ Output Direction

tilt (gravitational acceleration)



dynamic acceleration

