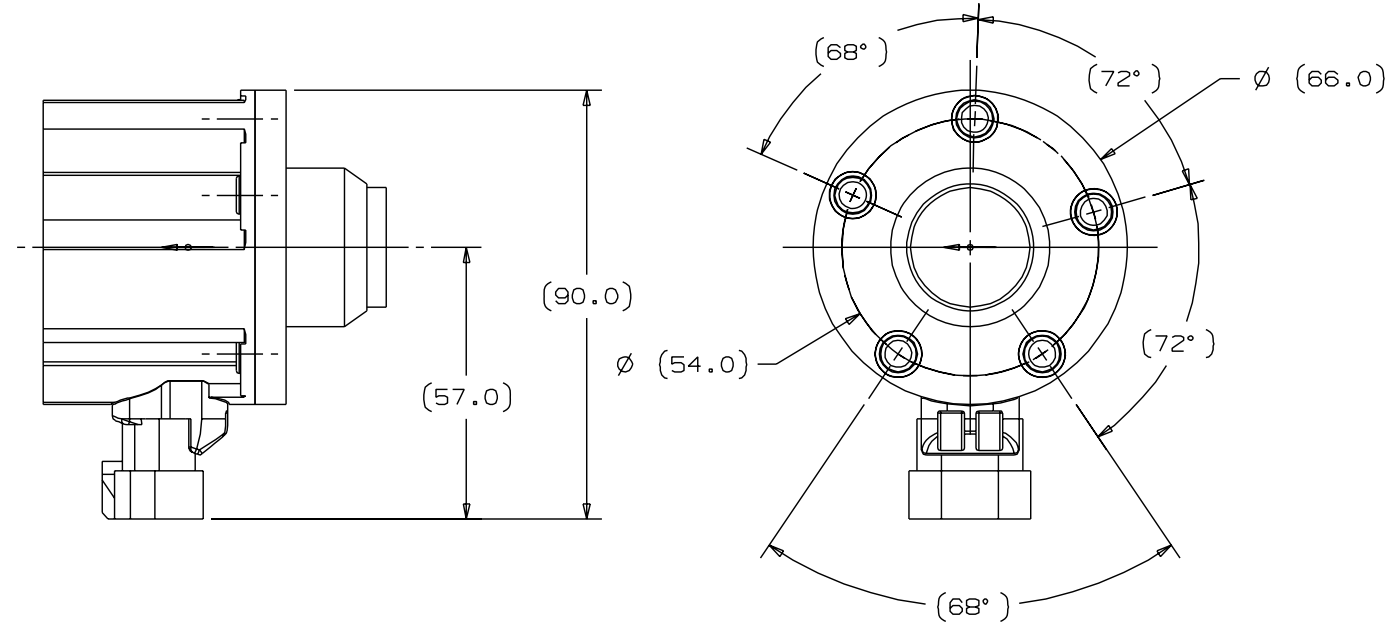
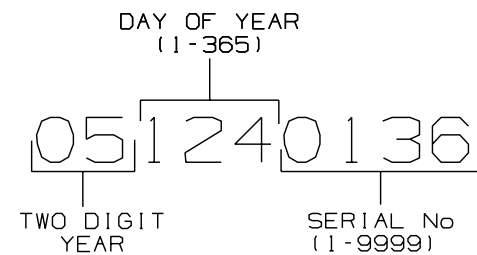


| REV. | RN NO. | DATE | DESCRIPTION OF CHANGE | DRAWN | APP. |
|------|---------|----------|-----------------------|-------|------|
| 1 | 09-3196 | 07/15/09 | INITIAL RELEASE | MMT | ABR |

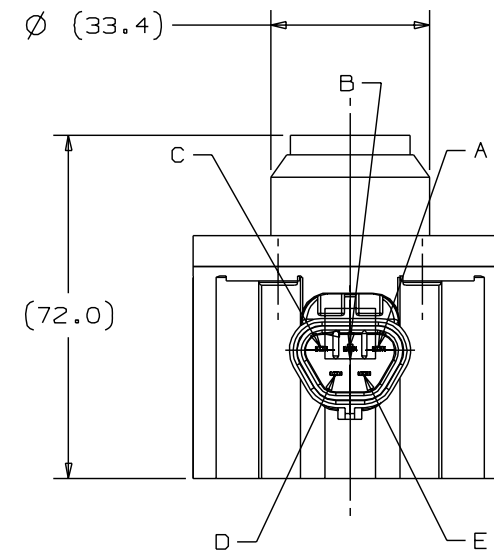


NOTES:

- 1) SENSOR FITS SAE J1810 BOLT PATTERN OR EQUIVALENT
- 2) PERSONALITY PROGRAM TO BE LOADED INTO PART AS REQUIRED
- 3) ASSEMBLY TO MEET TEST REQUIREMENTS PER 23680.1 SPI
- 4) PART NUMBER AND DATE CODE TO APPEAR ON STICKER ON UNIT
DATE CODE EXAMPLE:
051240136 = 136 th PART PRODUCED ON MAY 4, 2005



| DESCRIPTION | PIN # |
|-----------------------|-------|
| GROUND | A |
| SUPPLY VOLTAGE | B |
| SAE J1708/RS 485 DATA | C |
| SENSOR VOLTAGE OUTPUT | D |
| SAE J1708/RS 485 DATA | E |



| MILLIMETERS | |
|--------------------|--------|
| TOLERANCE | .0 .00 |
| DIA. ± | .2 .13 |
| LINEAR ± | .2 .13 |
| ANGULAR ± | 1° |
| DO NOT SCALE PRINT | |

THIS DRAWING REPRESENTS CONFIDENTIAL AND PROPRIETARY INFORMATION OF SSI TECHNOLOGIES INC AND SHALL NOT BE USED, ALTERED OR DISCLOSED IN WHOLE OR IN PART WITHOUT THE EXPRESS WRITTEN APPROVAL OF SSI TECHNOLOGIES INC. ANY USE OF THIS DRAWING SHALL BE SUBJECT TO SSI TECHNOLOGIES INC SUPPLIER QUALITY ASSURANCE SPECIFICATION 50A9001.



SSI Technologies, Inc.

| | | | | | | | | | | | |
|---|---|---|---|---|---|---|---|---|---|---|---|
| A | B | C | D | E | F | G | H | J | K | L | M |
| N | P | Q | R | S | T | U | V | W | X | Y | Z |

| | | | | | |
|-------------------------|-----------------|------------------------------|----------------|------------------------------------|-----------|
| JOB ACU-TRAC | | DO NOT SCALE | | ASSEMBLY NO. - - - - - | |
| NAME SENSOR ASSEMBLY | | 3RD ANGLE PROJECTION | | CUSTOMER I.D. | |
| MATERIAL SEE BOM | | REFER TO ASME Y14.5M-1994 | | DRWG. NO. | |
| DWG SIZE C | SHEET 1 OF 1 | SCALE 2:1 | VERSION NX4 | COMPUTER DRAWN NO MANUAL CHANGE | REV. 1 |