



SENSORTECH

PERFORMANCE

Range 0 - 500 ppm
 Maximum overload..... 1500 ppm CO
 Sensitivity..... 55 - 85 nA/ppm CO
 Zero in air at 20 °C..... <±3.1 ppm CO
 Resolution..... 1 ppm CO
 Linearitylinear across range
 Response time, t90..... <30 s
 Long-term output drift..... <2% signal/month
 Warranty 2 years

OPERATING CONDITIONS

Temperature range -20 to +50 °C
 Operating humidity..... 15 - 90% RH (non-condensing)
 Pressure range 90 - 110 kPa (nominal)
 Operating circuit..... see Electrochemical Toxic Sensor Application Note
 Applied potential 0 V
 Storage life..... 6 months in original packaging (0 - 25 °C)

PHYSICAL CHARACTERISTICS

Label colour silver
 Weight..... 5 g approx.
 Dimensions see outline

This device is designed to be RoHS compliant.

CROSS-SENSITIVITY DATA

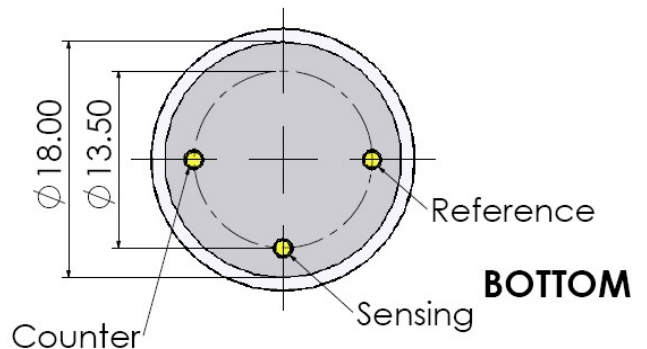
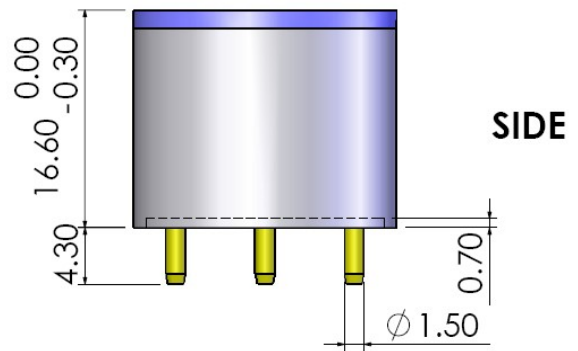
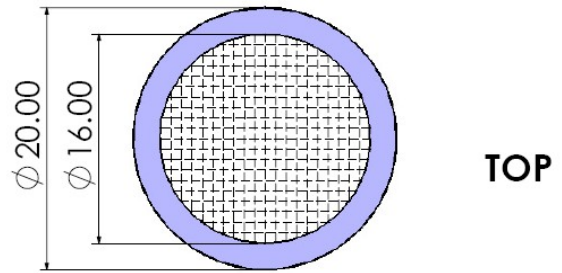
GAS	Concentration (ppm)	Sensor Response (As ppm CO)
Hydrogen Sulfide	24	0
Sulfur Dioxide	5	0
Chlorine	10	0 to 1
Nitric Oxide	25	0
Nitrogen Dioxide	5	0
Hydrogen	100	<40
Ethene	100	<16

Important Note

Do not solder to the connector pins as this may damage the sensor and thereby invalidate the warranty.

Details on recommended connector pins can be found in the Frequently Asked Questions within the Gas Sensor section of the SGX website.

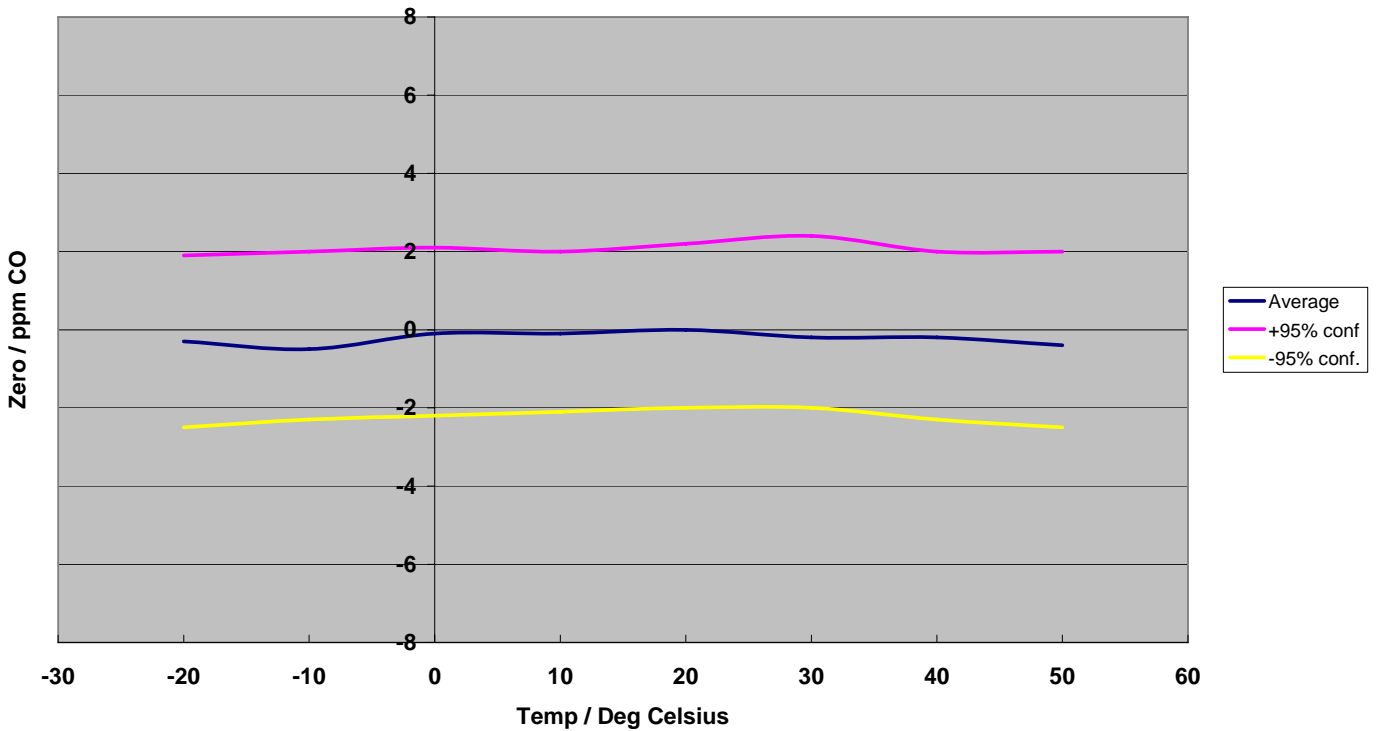
OUTLINE



All dimensions in mm.
 All tolerances ±0.15mm unless otherwise stated.

TEMPERATURE DEPENDENCE

EC-4-500-CO Graph of Zero vs Temperature



EC-4-500-CO Graph of Net Sensitivity vs Temperature

