



EC4-50-CIO2
Electrochemical Sensor

PERFORMANCE

Range 0 - 50 ppm
 Sensitivity (see note)..... 220 - 580 nA/ppm ClO2
 Zero in air at 20 °C..... <±0.09ppm ClO2
 Resolution 0.05 ppm ClO2
 Expected lifetime 2 years
 Linearity linear across range
 Response time, t90 <60 s
 Long-term output drift..... <2% change in output per month
 Operating circuit..... see Electrochemical Toxic Sensor Application Note

Note: This output current is negative. This is because the sensor reaction is a reduction of the target gas.

OPERATING CONDITIONS

Temperature range -20 to +50 °C
 Operating humidity 15 - 90% RH (non-condensing)
 Pressure range 90 - 110 kPa (nominal)
 Operating circuit..... see Electrochemical Toxic Sensor Application Note
 Applied potential 0 V
 Storage life..... 6 months in original packaging (0 - 25 °C)

PHYSICAL CHARACTERISTICS

Label colour silver
 Weight..... 6 g
 Dimensions see outline
 Shelf life 6 months

This device is designed to be RoHS compliant.

CROSS-SENSITIVITY DATA

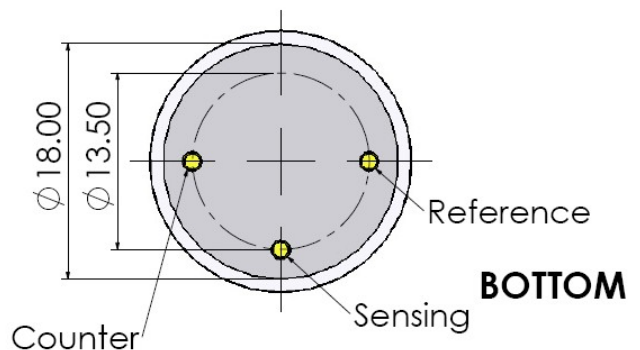
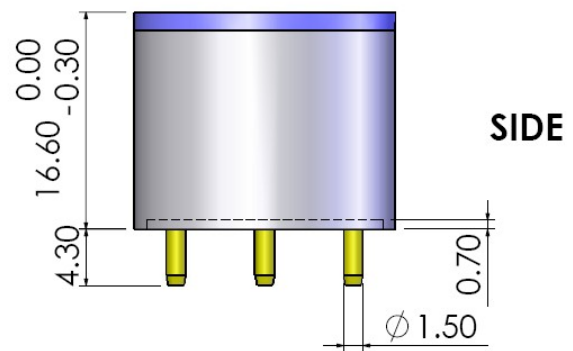
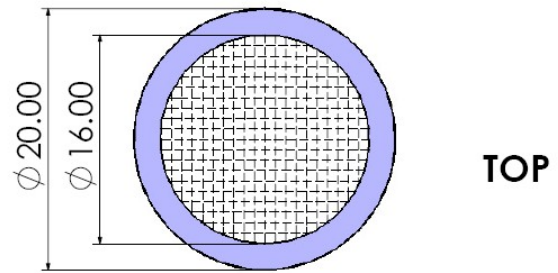
GAS	Concentration (ppm)	Sensor Response (As ppm CO)
H2S	20	-4.5
IsoButane	5000	0
NO2	10	13.5
H2	3000	0
CO	100	0
CO2	5000	0
Cl2	10	12

Important Note

Do not solder to the connector pins as this may damage the sensor and thereby invalidate the warranty.

Details on recommended connector pins can be found in the Frequently Asked Questions within the Gas Sensor section of the e2v website.

OUTLINE



All dimensions in mm.
 All tolerances ±0.15mm unless otherwise stated.

Whilst e2v technologies has taken care to ensure the accuracy of the information contained herein it accepts no responsibility for the consequences of any use thereof and also reserves the right to change the specification of goods without notice. e2v technologies accepts no liability beyond the set out in its standard conditions of sale in respect of infringement of third party patents arising from the use of tubes or other devices in accordance with information contained herein.

e2v technologies (uk) limited, Waterhouse Lane, Chelmsford, Essex CM1 2QU United Kingdom Telephone: +44 (0)1245 493493 Facsimile: +44 (0)1245 492492

e-mail: enquiries@e2v.com Internet: www.e2v.com Holding Company: e2v technologies plc

e2v technologies inc. 520 White Plains Road, Suite 450, Tarrytown, NY10591 USA Telephone: (914) 592-6050 Facsimile: (914) 592-5148 e-mail: enquiries@e2vtechnologies.us

© e2v technologies (uk) limited 2009

A1A-765161 Version 3, October 2009

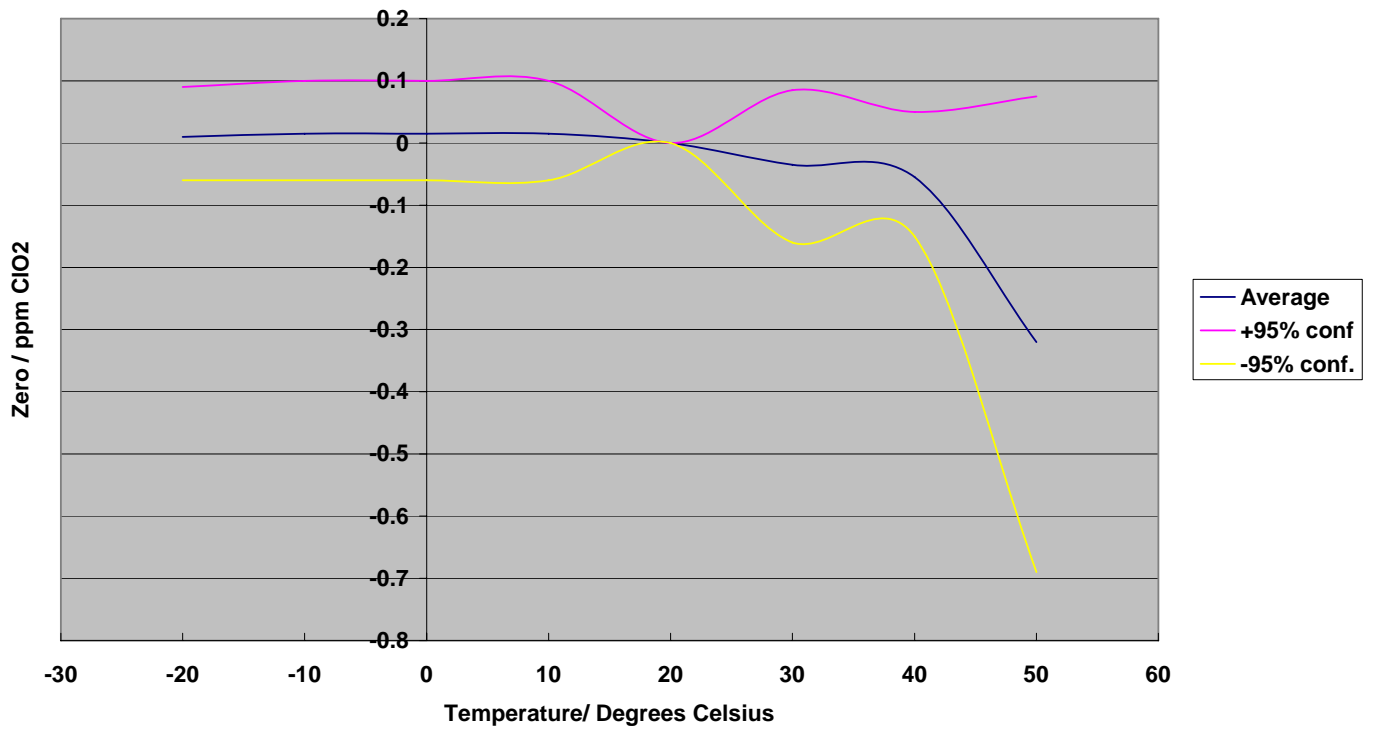
Template: DF764388A-2

SUNSTAR自动化 <http://www.sensor-ic.com/> TEL: 0755-83376489 FAX:0755-83376182 E-MAIL:szss20@163.com

107084

TEMPERATURE DEPENDENCE

EC-4-CIO2 Graph of Sensor Zero vs Temperature



EC4 -50-CIO2 Graph of % Sensitivity vs Temperature

