

**SENSORTECH**

**PERFORMANCE**

**(measured using Carbon Monoxide)**

Range ..... 0 - 100 ppm  
 Sensitivity..... 440 - 1080nA/ppm ETO  
 Zero in air at 20 °C..... -200 to +2500 nA  
 Resolution..... 1 ppm ETO  
 Linearity .....linear across range  
 Response time, t90..... <45 s  
 Long-term output drift.....<2% signal/month  
 Warranty ..... 2 years

**OPERATING CONDITIONS**

Temperature range ..... -20 to +50 °C  
 Operating humidity..... 15 - 90% RH (non-condensing)  
 Pressure range ..... 90 - 110 kPa (nominal)  
 Operating circuit..... see Electrochemical Toxic Sensor Application Note  
 Applied potential ..... +300 mV  
 Storage life..... 6 months in original packaging (0 - 25 °C)

**PHYSICAL CHARACTERISTICS**

Label colour .....silver  
 Weight..... 5 g approx.  
 Dimensions .....see outline

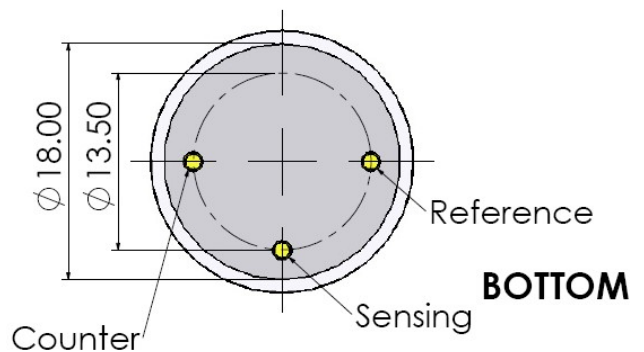
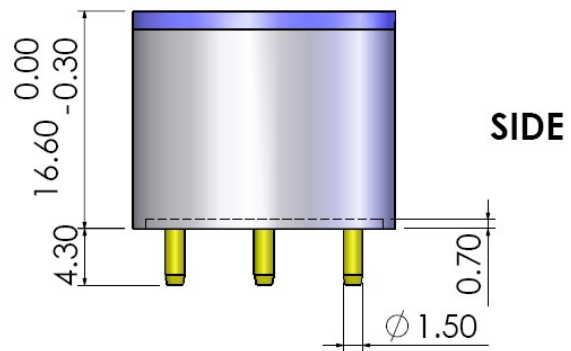
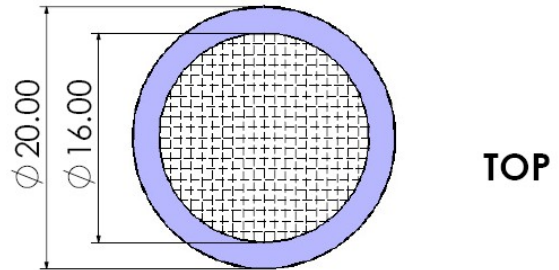
This device is designed to be RoHS compliant.

**CROSS-SENSITIVITY DATA**

GAS	Concentration ppm	Sensor Response (As ppm CO)
Carbon Monoxide	100	100
Ethylene Oxide	100	1056
Ethanol	100	325
Methanol	100	800
Propan-1-Ol	100	207
Butan-1-ene	100	279
1,3 Butadiene	100	915
Ethene	100	342
Propene	100	310
Vinyl Chloride	100	113
Vinyl Acetate	100	511
Formic Acid	100	167
Formaldehyde	100	715
Acrylonitrile	100	113

**Note:** This table is for reference only. Calibration should be carried out with the actual gas at a known concentration.

**OUTLINE**



All dimensions in mm.  
 All tolerances ±0.15mm unless otherwise stated.

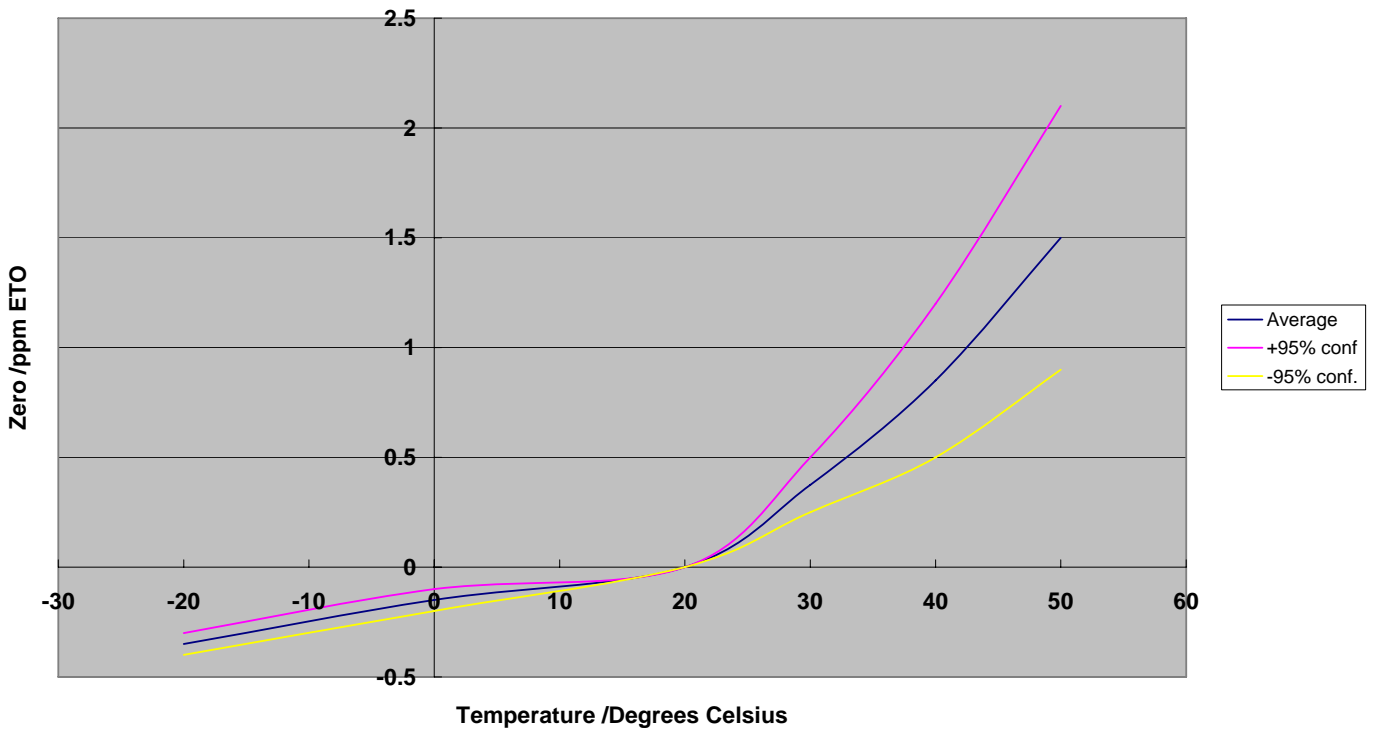
**Important Note**

Do not solder to the connector pins as this may damage the sensor and thereby invalidate the warranty.

Details on recommended connector pins can be found in the Frequently Asked Questions within the Gas Sensor section of the SGX website.

## TEMPERATURE DEPENDENCE

### EC4-100-ETO Graph of Zero vs Temperature



### EC4-100-ETO Graph of Sensitivity vs Temperature

