

Combustible Gas CiTipeL[®] Specification



4P-100 CiTipeL[®]

Performance Characteristics

Gases Detected	Most combustible gases and vapours
Range	0-100% LEL
Operating Voltage	3V d.c.
Detector Operating Current	≅ 90mA
Poison Resistance	Resistant to H ₂ S poisoning
Output Sensitivity	30 ± 6mV/%methane
T₉₀ Response Time	<15 seconds
Linear to	0-3% methane
Long Term Sensitivity Drift	<5% signal/month
Long Term Zero Drift	<5%LEL _{methane} /month
Warranty Period	12 months from date of despatch

Relative Sensitivity

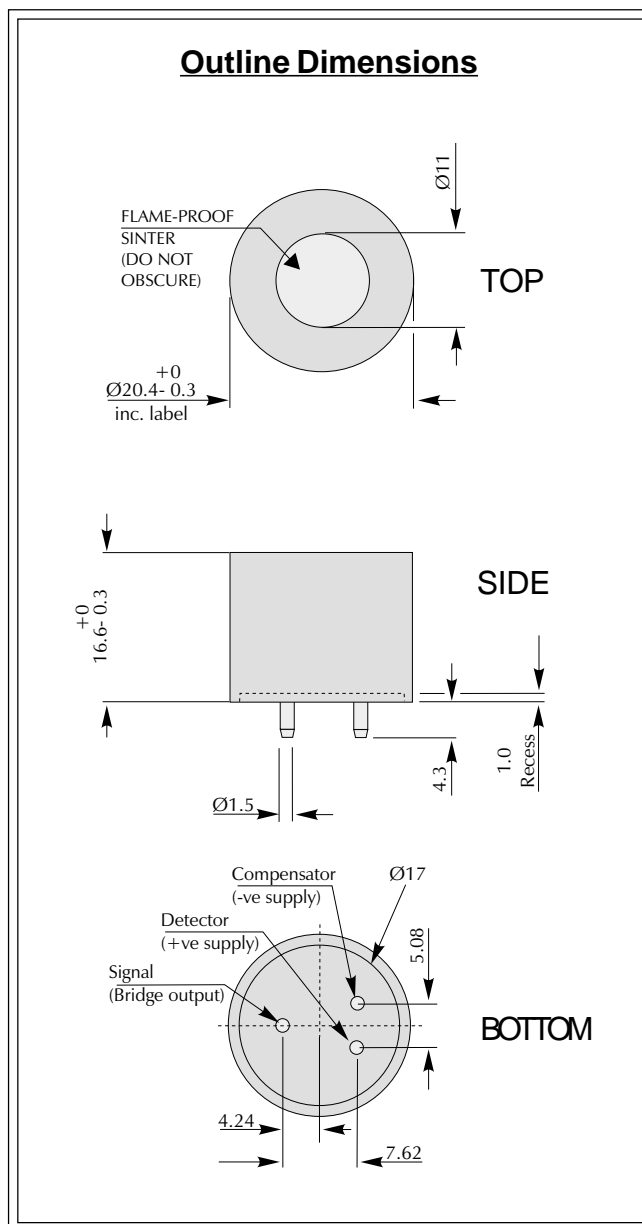
The table below shows the variation in response of a 4P-100 CiTipeL on exposure to a range of gases and vapours at the same %LEL concentration. The figures are experimentally derived and expressed relative to the methane signal (=100).

Note: The results are intended for guidance only. For the most accurate measurements an instrument should be calibrated using the gas under investigation.

Gas/Vapour	Relative Sensitivity*	Gas/Vapour	Relative Sensitivity*
Methane	100	Carbon monoxide	95
Propane	60	Acetone	60
n-Butane	60	Methyl ethyl ketone	50
n-Pentane	50	Toluene	45
n-Hexane	45	Ethyl acetate	55
n-Heptane	45	Hydrogen	90
n-Octane	45	Ammonia	125
Methanol	100	Cyclohexane	55
Ethanol	70	Leaded Petrol	50
Iso-propyl alcohol	60	Unleaded petrol	60

*Each sensitivity has been rounded to the nearest 5%

Outline Dimensions





Doc. Ref.: 4p100.p65
Issue 4.4 Mar 15, 2001




Product Approvals

Canada/North America

Approval Body	CSA (Canadian Standards Association) 	UL (Underwriters Laboratories Inc.®) 
Test Standard	CSA Std C22.2 No 30-M1986 Explosion-Proof Enclosures for Use in Class 1 Hazardous Locations	UL 913
Product Categories	Class 1, Groups A,B,C,D	Class 1, Groups A,B,C,D
File Number	LR103143	E180262

Europe

Approval Body	SIRA Certification Service 
Test Standard	BS EN 50014: 1993 BS EN 50018: 1995
Product Categories	EEx d IIC
Certificate Number	Ex 95Y1017U

Every effort has been made to ensure the accuracy of this document at the time of printing. In accordance with the company's policy of continued product improvement City Technology Limited reserves the right to make product changes without notice. No liability is accepted for any consequential losses, injury or damage resulting from the use of this document or from any omissions or errors herein. The data is given for guidance only. It does not constitute a specification or an offer for sale. The products are always subject to a programme of improvement and testing which may result in some changes in the characteristics quoted. As the products may be used by the client in circumstances beyond the knowledge and control of City Technology Limited, we cannot give any warranty as to the relevance of these particulars to an application. It is the clients' responsibility to carry out the necessary tests to determine the usefulness of the products and to ensure their safety of operation in a particular application.

Performance characteristics on this data sheet outline the performance of newly supplied sensors. Output signal can drift below the lower limit over time.