

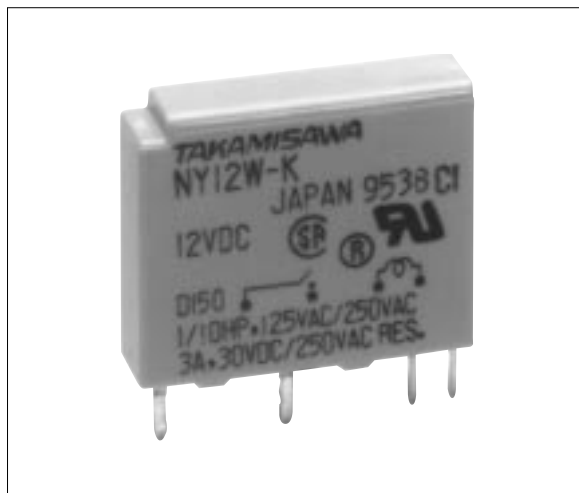
POWER RELAY

1 POLE—5 A (CADMIUM FREE CONTACTS TYPE)

NY SERIES

■ FEATURES

- Ultra slim type with 5 mm thickness
—Good for high density mounting
- Low power consumption and high sensitivity
—Nominal coil power: 120 mW
—Operating power: 54 mW
- UL, CSA, VDE recognized
- Conforms to IEC 1010-1 and 1131-2
- Wide operating range
- SIL pitch terminals
- Plastic sealed type
- Compatible with solid state I/O module type SN (see page 376) in size and pin (terminal) arrangement
- Environmentally friendly cadmium free contact type is available.



■ ORDERING INFORMATION

[Example] $\frac{NY}{(a)} \frac{P}{(b)} - \frac{12}{(*)} \frac{W}{(c)} - \frac{K}{(d)}$

(a)	Series Name	NY: NY Series
(b)	Terminal Classification	Nil : PC board mounting type P : Socket mounting type
(c)	Nominal Voltage	Refer to the COIL DATA CHART
(d)	Contact	W : Bifurcated type
(e)	Enclosure	K : Plastic sealed type

Note: Actual marking omits the hyphen (-) of (*)

■ SAFETY STANDARD AND FILE NUMBERS

UL508 (File No. E56140)

C22.2 No. 14 (File No. LR35579)

VDE0435 (File No. 11039-4940-1013)

Please note that UL/CSA ratings may differ from the standard ratings.

Nominal voltage	Contact rating
4.5 to 24 VDC	1/8 HP 125 VAC/250 VAC 5 A 30 VDC/250 VAC resistive Pilot duty C 300

■ SPECIFICATIONS

Item		NY	
Contact	Arrangement	1 form A (SPST-NO)	
	Material	Gold overlay silver alloy	
	Style	Bifurcated	
	Resistance (initial)	Maximum 30 mΩ (at 1 A 6 VDC)	
	Rating (resistive)	5 A 250 VAC or 5 A 30 VDC	
	Maximum Carrying Current	5 A	
	Maximum Switching Power	750 VA, 90 W	
	Maximum Switching Voltage	270 VAC, 125 VDC	
	Maximum Switching Current	5 A	
	Minimum Switching Load*1	1mA 5 VDC	
Coil	Nominal Power (at 20°C)	0.12W	
	Operate Power (at 20°C)	0.054 W	
	Operating Temperature	-40°C to +90°C (no frost) (refer to the CHARACTERISTIC DATA)	
Time Value	Operate (at nominal voltage)	Maximum 10 ms	
	Release (at nominal voltage)	Maximum 5 ms	
Insulation	Resistance (at 500 VDC)	Minimum 1,000 MΩ	
	Dielectric Strength	between open contacts	750 VAC 1 minute
		between coil and contacts	3,000 VAC 1 minute
	Surge Strength	5,080 V (at 1.2×50 μs)	
Life	Mechanical	2 x 10 ⁷ operations minimum	
	Electrical	1.5 × 10 ⁵ operations minimum (at 5A 30VDC) 1.5 × 10 ⁵ operations minimum (at 3 A 120 VAC) 3 × 10 ⁴ operations minimum (at 5 A 250 VAC)	
Other	Vibration Resistance	Misoperation	10 to 55 Hz (double amplitude of 1.5 mm)
		Endurance	10 to 55 Hz (double amplitude of 5.0 mm)
	Shock Resistance	Misoperation	100 m/s ² (11 ± 1 ms)
		Endurance	1,000 m/s ² (6 ± 1 ms)
	Weight	Approximately 3.5 g	

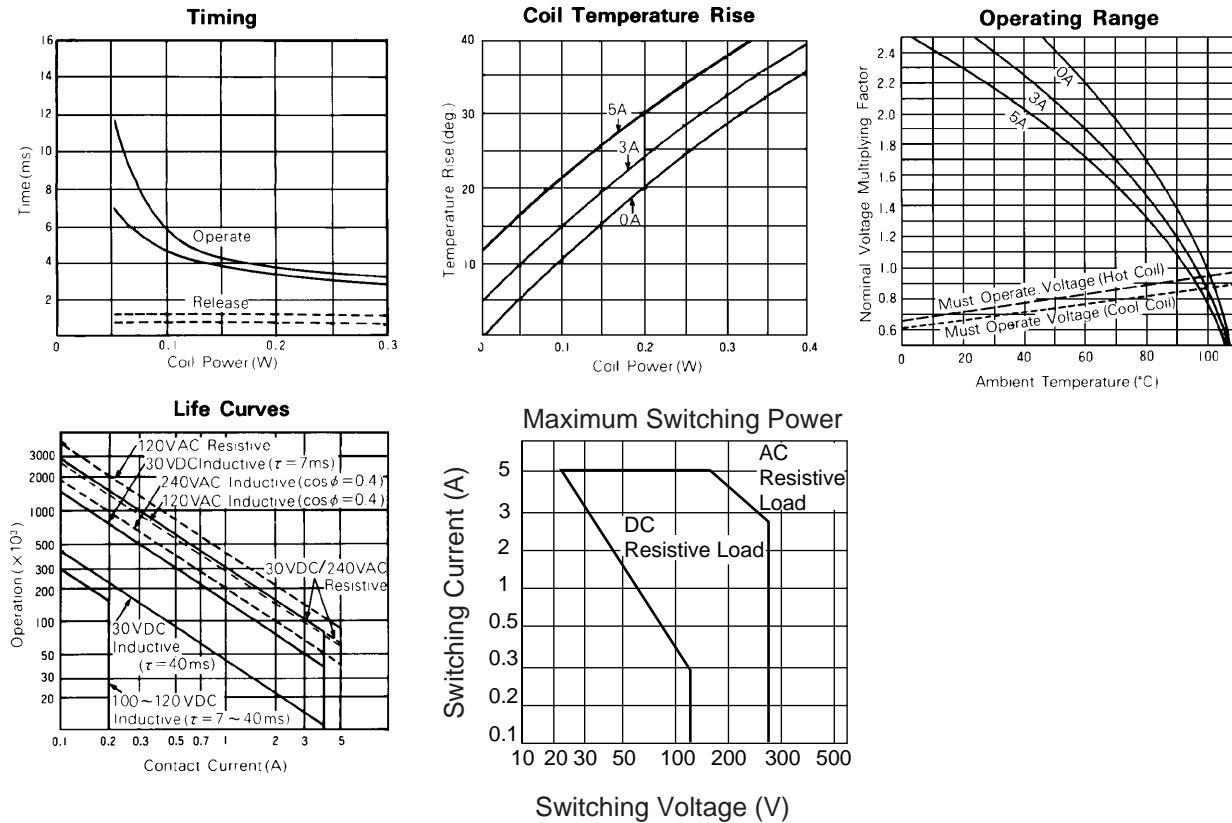
*1 Minimum switching loads mentioned above are reference values. Please perform the confirmation test with the actual load before production since reference values may vary according to switching frequencies, environmental conditions and expected reliability levels.

■ COIL DATA CHART

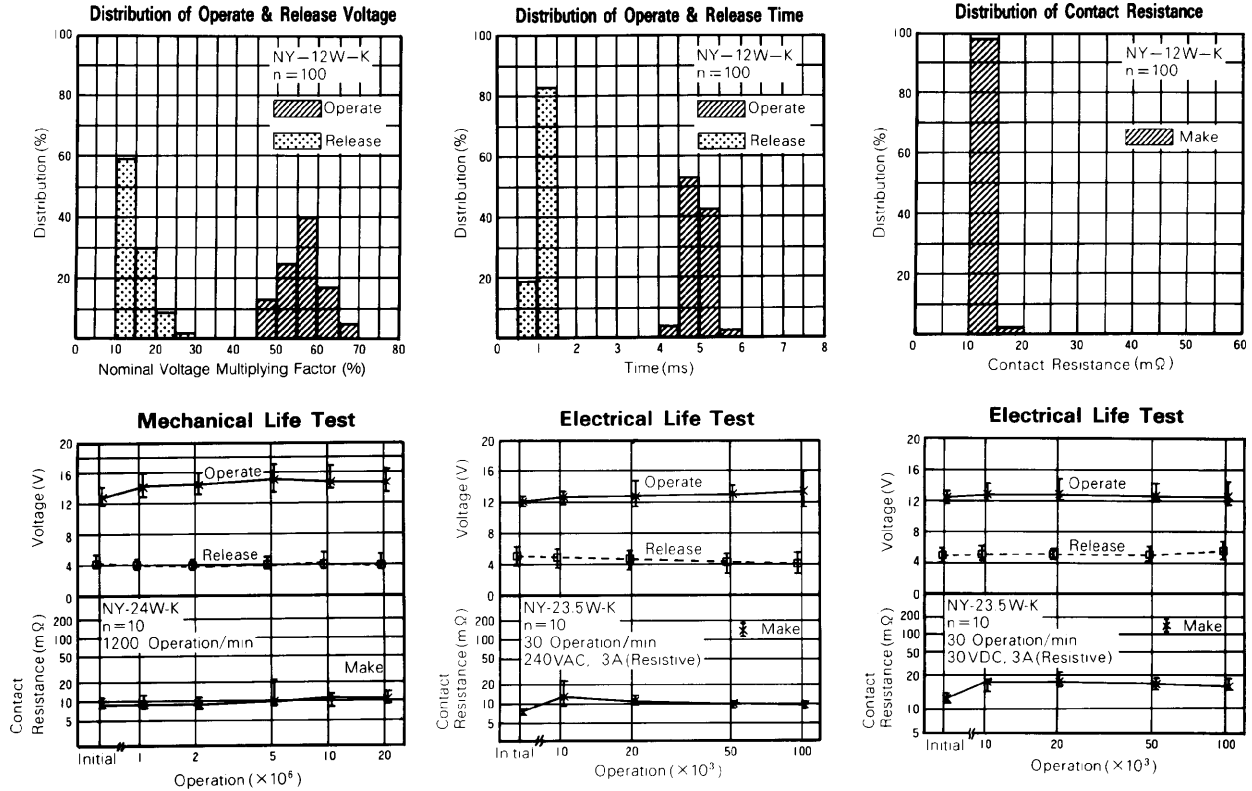
MODEL	Nominal voltage	Coil resistance (±10%)	Must operate voltage	Must release voltage	Nominal power
NY- 4.5 W-K	4.5 VDC	169 Ω	3 VDC	0.45 VDC	120 mW
NY- 5 W-K	5 VDC	208 Ω	3.35 VDC	0.5 VDC	120 mW
NY- 6 W-K	6 VDC	300 Ω	4 VDC	0.6 VDC	120 mW
NY- 9 W-K	9 VDC	675 Ω	6 VDC	0.9 VDC	120 mW
NY- 12 W-K	12 VDC	1,200 Ω	8 VDC	1.2 VDC	120 mW
NY- 18 W-K	18 VDC	2,700 Ω	12.1 VDC	1.8 VDC	120 mW
NY- 24 W-K	24 VDC	4,800 Ω	16.1 VDC	2.4 VDC	120 mW

Note: All values in the table are measured at 20°C

■ CHARACTERISTIC DATA



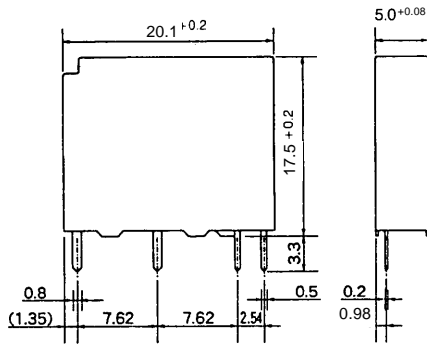
REFERENCE DATA



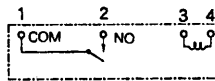
DIMENSIONS

● Dimensions

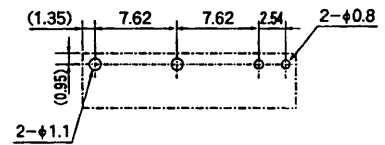
NY type



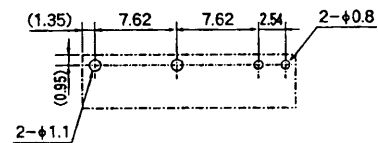
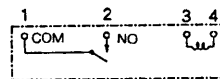
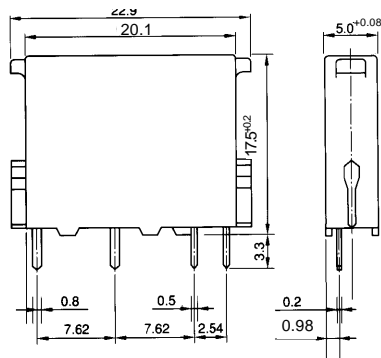
● Schematics (BOTTOM VIEW)



● PC board mounting hole layout (BOTTOM VIEW)

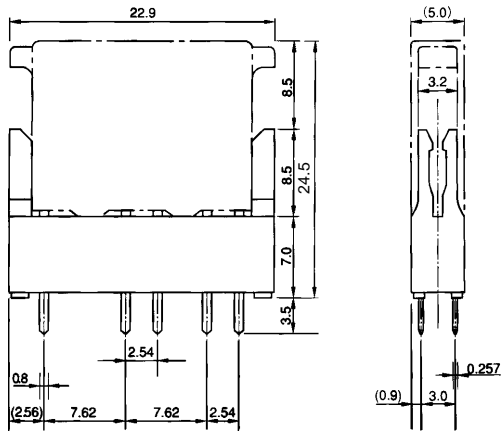


NYP type

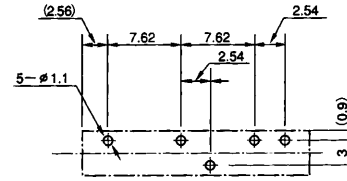


Unit: mm

■ SOCKET DIMENSIONS



■ SOCKET DRILLING PLANT



Unit: mm

■ NOTES

1. Socket ordering code. JL-5N
2. Standard IC socket is not recommended.
Please use socket JL-5N.

Fujitsu Takamisawa International Headquarter Offices

www.fujitsu.takamisawa.com

Japan

Fujitsu Takamisawa Component Limited
Global Marketing and Sales
Gotanda-Chuo Building
3-5, Higashigotanda 2-chome, Shinagawa-ku
Tokyo 141, Japan
Tel: (81-3) 5449-7010
Fax: (81-3) 5449-2626

North and South America

Fujitsu Takamisawa America, Inc.
250 E. Caribbean Drive
Sunnyvale, CA 94089 U.S.A.
Tel: (1-408) 745-4900
Fax: (1-408) 745-4970

Europe

Fujitsu Takamisawa Europe B.V.
Diamantlaan 25
2132 WV Hoofddorp
Netherlands
Tel: (31-23) 5560910
Fax: (31-23) 5560950

Asia Pacific

Fujitsu Takamisawa Asia Pacific Pte. Ltd.
102E Pasir Panjang Road
#04-01 Citilink Warehouse Complex
Singapore 118529
Tel: (65) 375-8560
Fax: (65) 273-3021