

NAIS

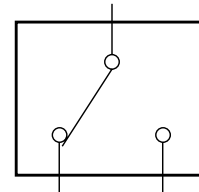
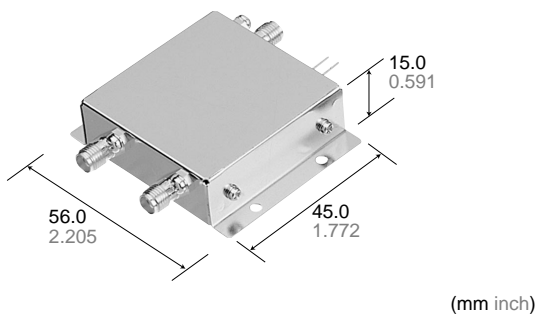
VARIOUS CIRCUIT CONFIGURATIONS COAXIAL SWITCHES

RZ-COAXIAL SWITCHES

Customized products to meet all your high-frequency needs. These coaxial switches support the various circuit configurations including failsafe, latching, and TTL-drive type circuits.

- Base products example: Impedance 50Ω (SMA connector)

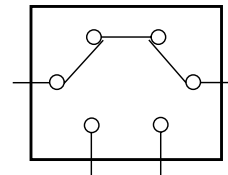
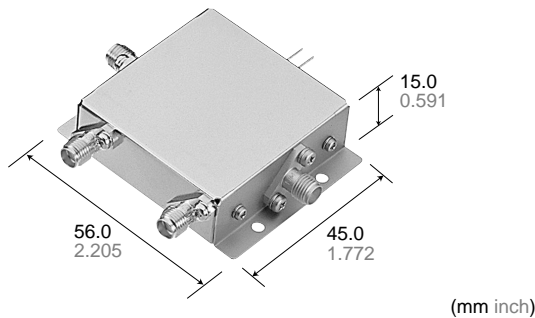
SPDT switch



Insertion loss	Max.0.3dB (DC to 2.5GHz)
	Max.0.4dB (2.5 to 4GHz)
Isolation	Min.60dB (DC to 2.5GHz)
	Min.50dB (2.5 to 4GHz)
V.S.W.R.	Max.1.2 (DC to 2.5GHz)
	Max.1.3 (2.5 to 4GHz)

Note: Types with termination are also available.

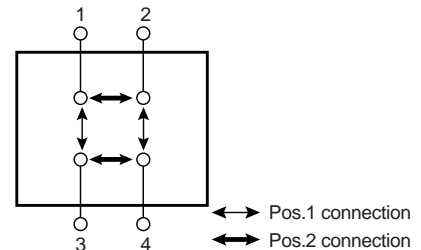
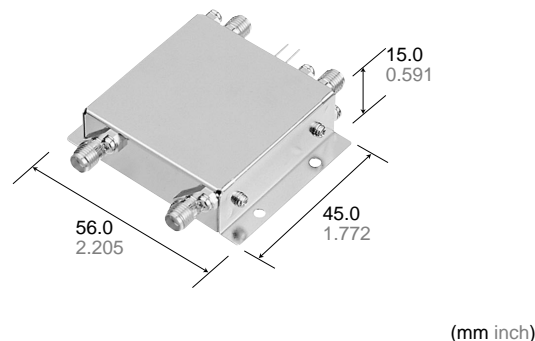
DPDT switch internal connection (bypass) type



Insertion loss	Max.0.35dB (bypass Max. 0.7dB) (DC to 2.5GHz)
	Max.0.7dB (bypass Max. 1.2dB) (2.5 to 4GHz)
Isolation	Min.60dB (DC to 2.5GHz)
	Min.50dB (2.5 to 4GHz)
V.S.W.R.	Max.1.2 (DC to 2.5GHz)
	Max.1.5 (2.5 to 4GHz)

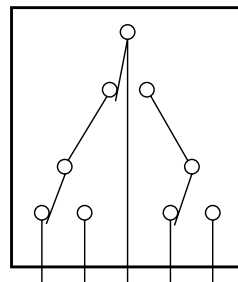
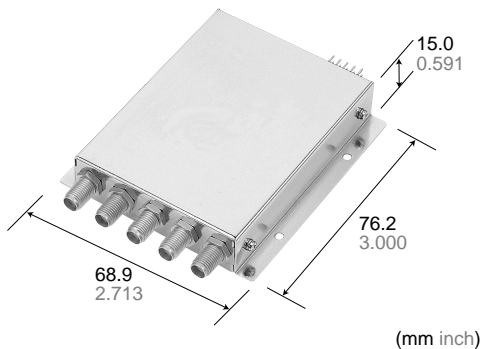
Note: External connections types are also available.

Transfer switch



Insertion loss	Max.0.6dB (DC to 2.5GHz)
	Max.0.9dB (2.5 to 4GHz)
Isolation	Min.60dB (DC to 2.5GHz)
	Min.55dB (2.5 to 4GHz)
V.S.W.R.	Max.1.2 (DC to 2.5GHz)
	Max.1.5 (2.5 to 4GHz)

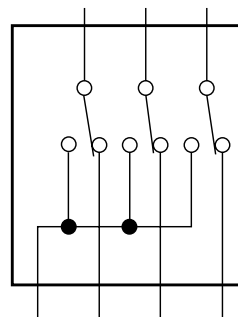
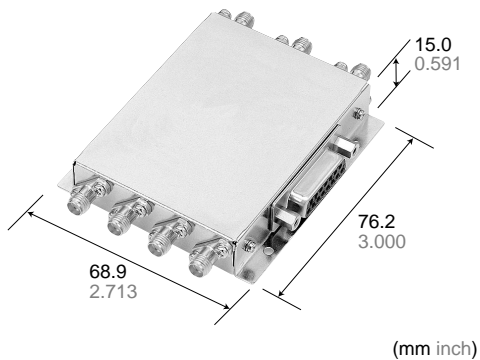
SP4T switch



Insertion loss	Max.0.6dB (DC to 2.5GHz)
	Max.0.9dB (2.5 to 4GHz)
Isolation	Min.60dB (DC to 2.5GHz)
	Min.55dB (2.5 to 4GHz)
V.S.W.R.	Max.1.3 (DC to 2.5GHz)
	Max.1.5 (2.5 to 4GHz)

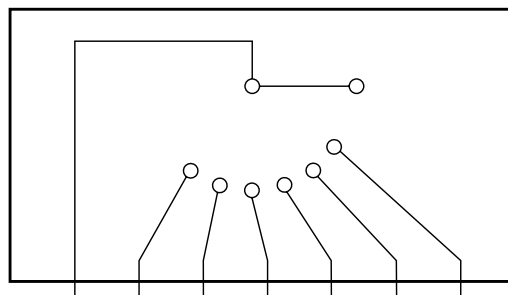
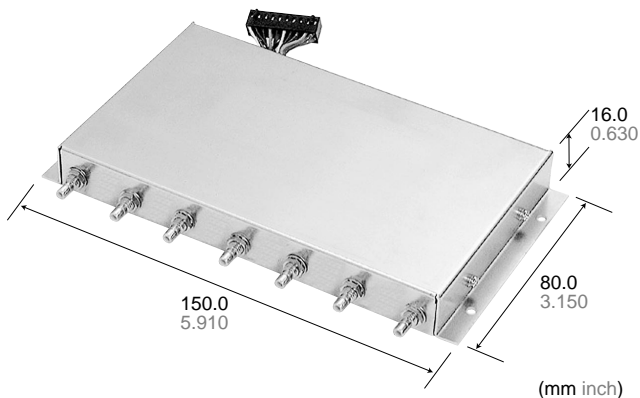
Note: Types with termination are also available.

3P4T switch



Insertion loss	Max.0.5dB (1479 to 1499MHz) (Through path)
	Max.0.8dB (1479 to 1499MHz) (Spare path)
Isolation	Min.70dB (1479 to 1499MHz)
V.S.W.R.	Max.1.25 (1479 to 1499MHz)

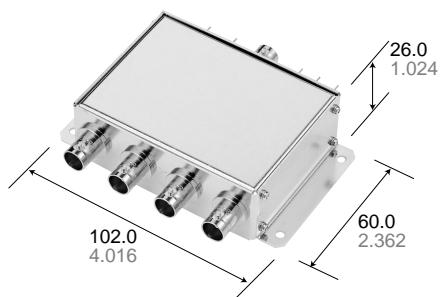
SP6T switch



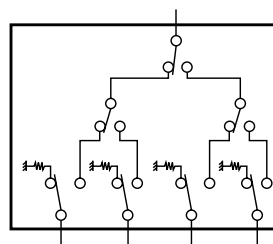
Insertion loss	Max.0.8dB (1.9 to 2.2GHz)
Isolation	Min.66dB (1.9 to 2.2GHz)
V.S.W.R.	Max.1.3 (1.9 to 2.2GHz)

• Base products example: Impedance 75Ω (BNC connector)

SP4T switch with termination



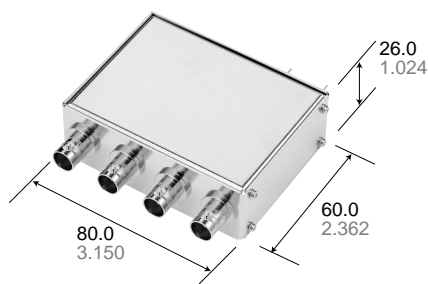
(mm inch)



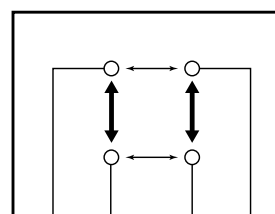
Insertion loss	Max.1.0dB (DC to 1.5GHz)
Isolation	Min.40dB (DC to 1.5GHz)
Return loss	Min.18dB (DC to 1.5GHz)

Note: Standard types (without termination) are also available.

Change relay



(mm inch)



↔ Pos.1 connection
 ↔ Pos.2 connection

Insertion loss	Max.1.0dB (DC to 1.5GHz)
Isolation	Min.35dB (DC to 1.5GHz)
Return loss	Min.15dB (DC to 1.5GHz)