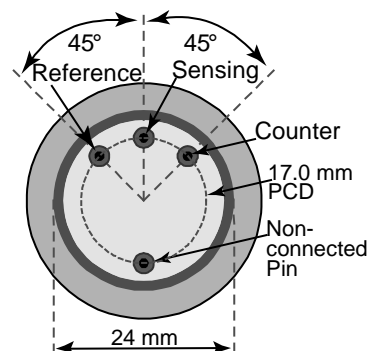
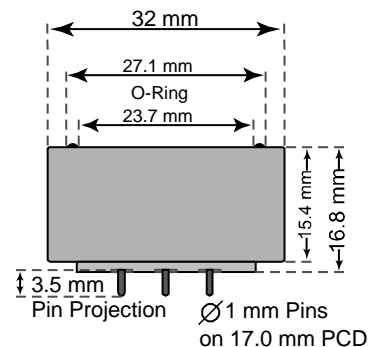


SPECIFICATION SHEET FOR PHOSPHINE SENSOR TYPE PH3/C-1000**PERFORMANCE CHARACTERISTICS**

Nominal Range	0 – 1000 ppm
Maximum Overload	2000 ppm
Expected Operation Life	2 years in air
Output Signal	100 ± 25 nA/ppm
Resolution	1.0 ppm
Temperature Range	- 20 °C to 50 °C
Pressure Range	Atmospheric ± 10%
Pressure Coefficient	No data
T ₉₀ Response Time	< 25 sec
Relative Humidity Range	15 % to 90 % R.H. non-condensing
Typical Baseline Range (pure air, 20°C)	< 1.0 ppm
Maximum Zero Shift	N.D.
Long Term Output Drift	< 2% signal loss/month
Recommended Load Resistor	10 Ohm
Bias Voltage	Not required
Repeatability	< 2 % of signal
Output Linearity	Linear

PHYSICAL CHARACTERISTICS

Weight	~ 13 g
Position Sensitivity	None
Storage Life	Six months in container
Recommended Storage Temperature	5 °C – 20 °C
Warranty Period	12 months from date of dispatch

Compact-Size Outline Dimensions**BOTTOM VIEW****SIDE VIEW****CROSS-SENSITIVITY DATA**

Interfering Gas	Concentration	Reading
CO	100 ppm	0 ppm
H ₂ S	34 ppm	~ 8 ppm
NO	100 ppm	0 ppm
NO ₂	100 ppm	~ -30 ppm
H ₂	100 ppm	0 ppm
Ethylene	100 ppm	0 ppm
SO ₂	100 ppm	25 ppm
SiH ₄	10 ppm	5 ppm

Performance data conditions:
20 °C, 50% RH and 1013 mbar

APPLICATIONS

Safety and Environmental Control

The data contained in this document is for guidance only. Membrapor AG accepts no liability for any consequential losses, injury or damage resulting from the use of this document or the information contained within it. The data is given for guidance only. Customers should test under their own conditions, to ensure that the sensors are suitable for their own requirements.

REV.: 11/2008

Page 1 of 1

Phone: +41 43 311 72 00
Fax : +41 43 311 72 01
Email: info@membrapor.ch
www.membrapor.ch

MEMBRAPOR AG
Birkenweg 2
CH-8304 Wallisellen
Switzerland